



Tanco Autowrap 580
Spare parts list



580 S & 580-A
PARTS LIST
WD66-580-M0205



GUARANTEE

Subject to hereunder provided, the sellers undertake to correct either by repair or at their election by replacement any defect of material or workmanship which occurs in any of its goods within twelve months after delivery of such goods to first user, with the exception of contractors or commercial users when warranty period is six months.

In respect of Autowraps the warranty period is for 12 months or 8000 bales, whichever occurs first.

The term goods when used in this document means the article or articles described in invoices as sold by the sellers but does not include equipment or proprietary parts or accessories not manufactured by the sellers. The sellers, however, undertake to pass on so far as they legally can to the first user the benefit of any warranty given to the sellers by the suppliers of such equipment, parts or accessories.

This understanding shall not apply to:-

- (a) Any goods that have been sold by the first user.
- (b) Any goods which have been injured by unfair wear and tear, neglect or improper use.
- (c) Any goods the identification marks of which have been altered or removed.
- (d) Any goods that have not received the basic normal maintenance such as tightening of bolts, nuts, tines, hose connections and fittings and normal lubrication with the recommended lubricant.
- (e) The use of any product on tractors exceeding the recommended horsepower.
- (f) Any goods that have been altered or repaired other than on instruction or with the written approval of the seller or to which any part not manufactured or having written approval by the sellers have been fixed.
- (g) Any second-hand goods or parts thereof.

Any allegedly defective part or parts returned to the seller must be sent carriage paid. No claim for repair or replacement will be entertained unless upon discovery of the alleged defect written notification is sent to the Sellers giving, at the same time, the name of the Buyer from whom the goods were purchased and the date of purchase, together with the full details of the alleged defect and the circumstances involved, also the serial number of the machine etc.

The sellers shall be under no liability to their Buyers and first or subsequent users of their goods or to any other person or persons for loss or damage howsoever arising in respect of either personal injuries or for arising out of, or in any other way connected with or arising from the manufacture sale, handling, repair, maintenance, replacement or use of its goods or the failure or malfunction of any of its goods.

Representation and/or warranties made by any persons (including Buyers and employees and other representatives of the Seller) which are inconsistent or conflicting with these conditions are not binding upon the sellers unless given in writing and signed by a director of sales.

CLAIMS

If you wish to make a claim under the guarantee:

- 1: Immediately, stop using the machine.
- 2: List the details of the machine, its serial number and the part number of the damaged part.
- 3: Consult with your Tanco dealer (supplier) and have him forward your claim and the damaged item to Tanco.



SPARE PARTS LIST

We recommend that when you need spare parts, you should use only original parts.

When ordering spare Parts use the following:

- Drawings are marked with a position number.
- On the accompanying table you will find the position number, its equivalent part number and description. The entire part number and description must always be relayed on ordering.
- **IMPORTANT!**
When ordering always give the serial number on the wrapping machine and specify the Model of Machine.
- We ask that you fax your parts order to your Tanco dealer, to ensure quick delivery



TABLE OF CONTENTS

	<u>Page:</u>
1. Hydraulics	
1.1 Hydraulic Valve	
1.1.1. 580S Exploded View	5
1.1.2 580A Exploded View	6
1.2. Hydraulic Components	
1.2.1. 580S Exploded View	7
1.2.2. Part List	8,9
1.2.3 580A Exploded View	10
1.2.4 Parts List	11
1.3 Valve and Cover Plate Assembly	
1.3.1 580S Exploded View and Parts List	12
1.3.2 580A Exploded View and Parts List	13
2. Main Assembly	
2.1.1 Main Assembly Exploded View	14
2.1.2. Part List	15,16
2.1.3 Table Locking Assembly and Parts List	17
2.2.1 Roller Drive Assembly exploded View	18
2.2.2 Part List	19
2.4.1. Turntable Drive Assembly Exploded View	20
2.4.2. Parts List	21
3. Lift Arm Assembly	
3.1. Exploded View	22
3.2. Part List	23
4. Cut and Start Assembly	
4.1. Exploded View	24
4.2. List	25
5. Bale Ramp	
5.1.1. Hydraulic Bale Ramp Exploded View and Parts List (Standard)	26
5.2.1 End Tip Ramp Exploded View (Optional)	27
5.2.2. Parts List	28
6. Lighting	
6.1. Exploded View and Parts List	29
7. Film Dispenser	
7.1.1. Dispenser Mast Assembly Exploded View	30
7.1.2 Parts List	31
7.2.1 Dispenser Insert Assembly Exploded View	32
7.2.2. Parts List	33
8. Controller	
8.1 Sensors and Mounting Brackets Exploded View and Parts List	34
8.2.1 580S Bale Wrap Controller Exploded View and Parts List	35
8.2.2 580S Junction Box	36
8.3.1 580A Controller Exploded View and Parts List	37
8.3.2 580A junction Box	38

1.1.1 580S VALVE

Flow Control complete:
Part No. 1208008

Lift ARM Spool
Tip Spool:
Part No. 1208007

Motor Spool:
Part No. 1208006

Valve Coupling Kit
complete:
Part No. Z003-580-

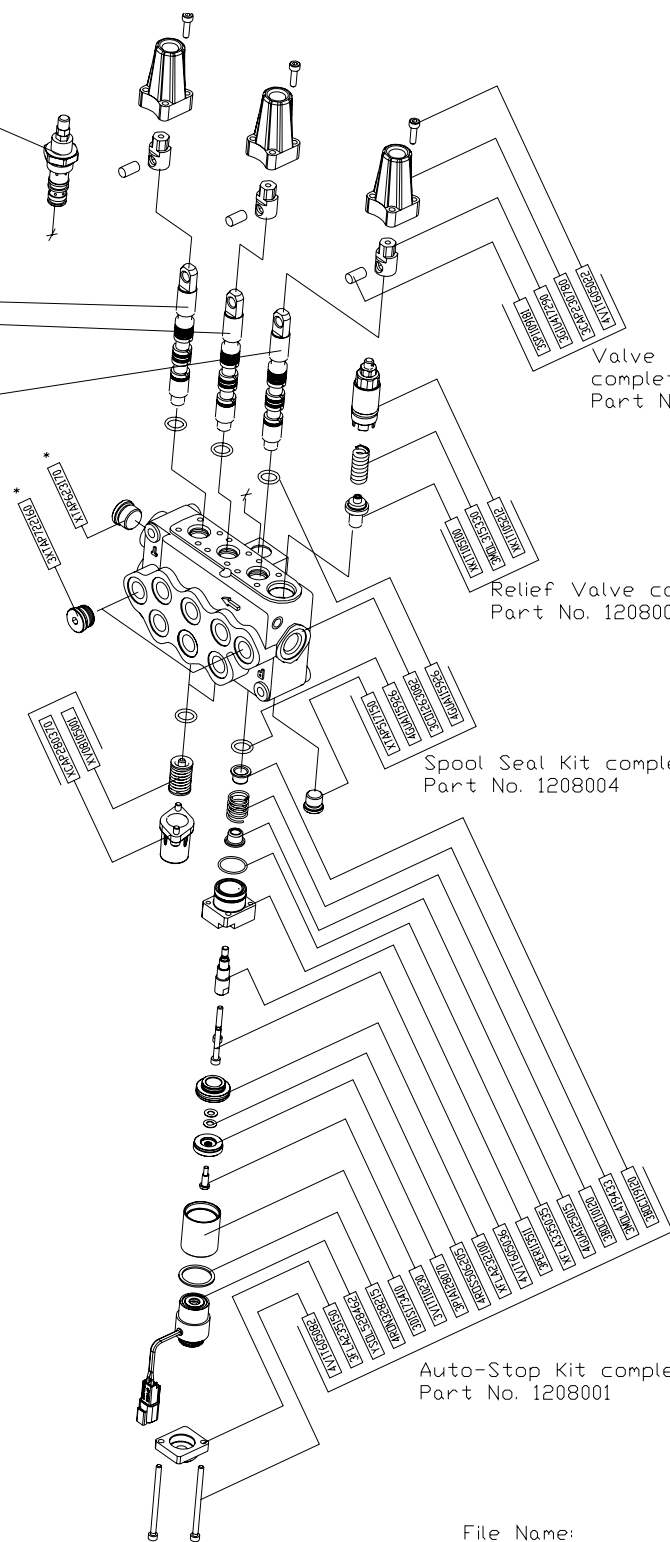
Relief Valve complete:
Part No. 1208005

Spool End Kit complete:
Part No. 1208003

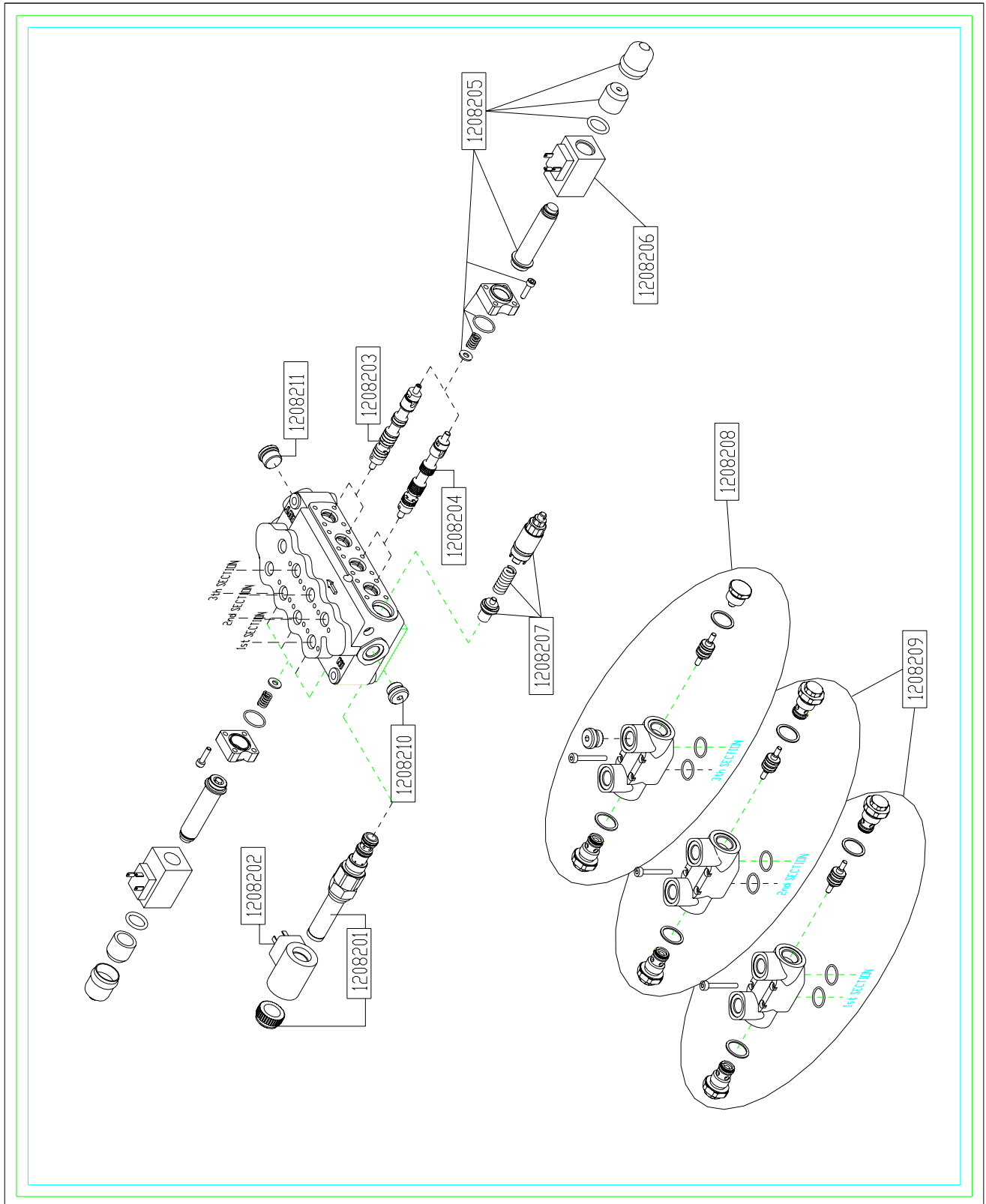
Spool Seal Kit complete:
Part No. 1208004

Auto-Stop Kit complete:
Part No. 1208001

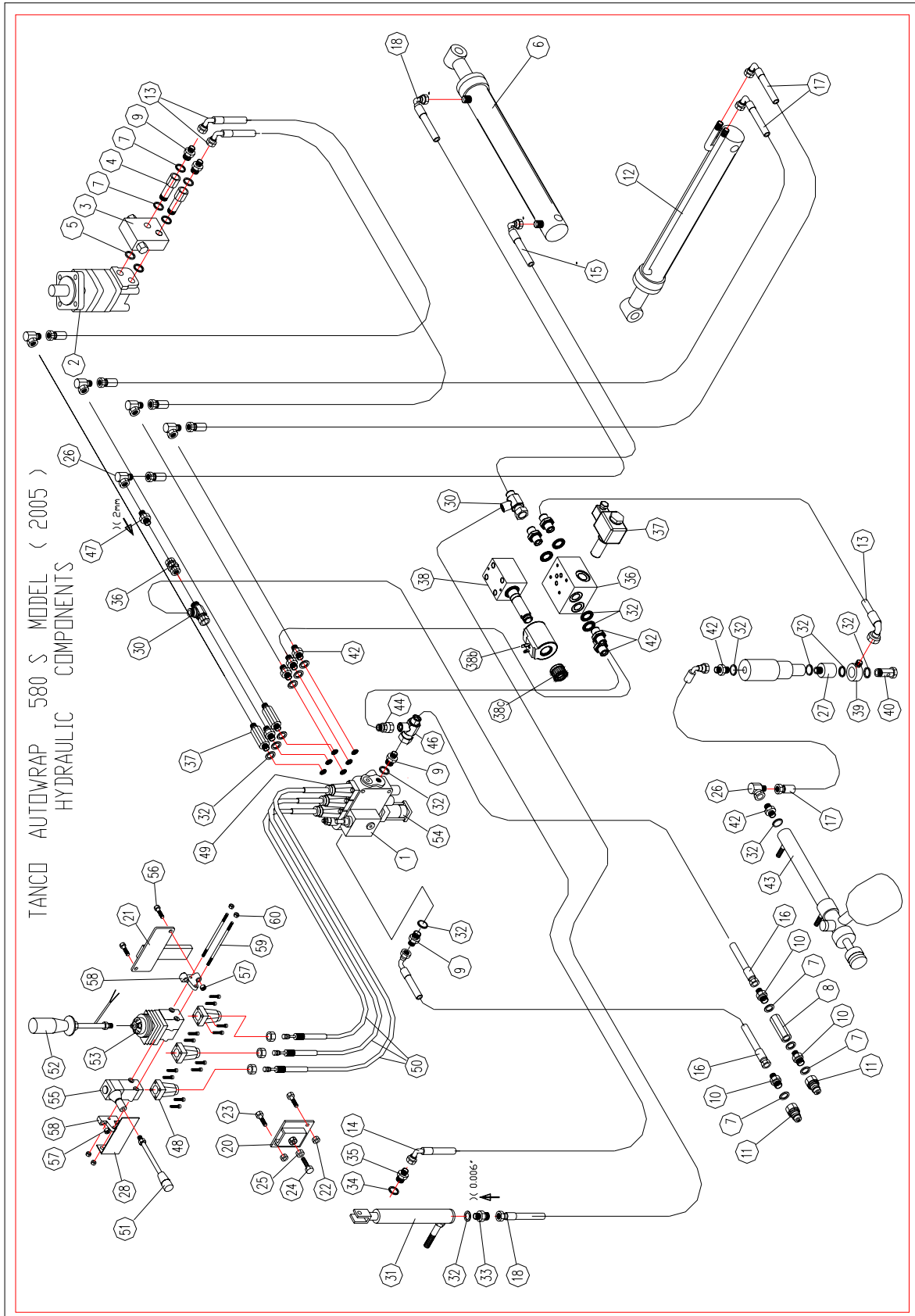
File Name:
580S valve exploded 2



1.1.2 580A VALVE



1.2.1 Hydraulic Components 580S





1.2.2 HYDRAULIC COMPONENTS

ITEM No.	DESCRIPTION	QTY	PART No.
1.	3 Bank Spool Valve (Walvoil)	1	Z01-03-A580
2.	Hydraulic Motor	1	Z01-02-RF200
2A.	Seal Kit for above Hydraulic Motor	1	Z01-RF200
3.	Cross line Relief Valve	1	Z01-03-004
3A.	Seal Kit for above Cross Line Relief Valve	1	Z01-03-004-RF
4.	½" BSP Bottom Banjo Bolt	2	Z01-03-002B
5.	Copper Washer	2	Z01-04-15
6.	Hydraulic Ram (Tipping Frame)	1	Z01-01AR687
6A.	Seal Kit for above ram	1	Z01-Z01
7.	½" Dowty Washer	14	Z01-04-03
8.	½" Non Return Valve	1	Z01-03-017
9.	½" x 3/8" Adaptor	10	Z01-06-06-08
10.	½" x ½" Adaptor	2	Z01-06-08-08
11.	½" Male Q/R Coupling	2	Z01-15-081
12.	Hydraulic Ram (Lift Arm)	1	Z01-01-AW1070
12A.	Seal Kit for above ram	1	Z01-Y01
13.	108" St./ 90 3/8" D/W Hose	4	Z38-R2-108-S9
14.	72" St. / 90 3/8" D/W Hose	1	Z38-R2-72-S9
15.	48" St. / 90 3/8" D/W Hose	1	Z38-R2-48-S9
16.	108" St. / 90 1/2" D/W Hose	1	Z12-R2-108-S9
17.	84" St. / 90 3/8" D/W Hose	3	Z38-R2-82-S9
18.	60" St. / 90 3/8" D/W Hose	2	Z38-R2-60-S9
19.	12" St. / 90 3/8" D/W Hose	2	Z38-R2-12-S9
20.	Actuator mounting Bracket (Lower)	1	WD66-AML
21.	Actuator mounting Bracket (Upper)	1	WD67-AMU
22.	M10 Locknut	2	Z23-10
23.	M10 x 40 Hex. Set	2	Z26-064S
24.	M12 x 40 Hex Set	1	Z26-084S
25.	M12 Hex Nut	1	Z18-12
26.	3/8" Male x 3/8" Female 90 Elbow	6	Z01-14-015
27.	Rotary Coupling	1	Z01-02-AWR
28.	Sticker Mounting Plate	1	WD60-794
29.	30" St. / 90 3/8" D/W Hose	2	Z38-R2-30-S9
30.	3/8" Female x 3/8" Male / Male "T" Piece	2	Z01-12-002
31.	Hydraulic Ram (Pull Down)	1	Z01-01-AW25
31A.	Seal Kit for above Hydraulic Ram	1	Z01-AW25
32.	3/8" Dowty Washer	16	Z01-04-02
33.	3/8" x 3/8" Adaptor with .006" Restrictor	1	Z01-03-40
34.	¼" Dowty Washer	1	Z01-04-01
35.	¼" x 3/8" Adaptor	1	Z01-06-04-06



1.2.2 HYDRAULIC COMPONENTS continued

ITEM No.	DESCRIPTION	QTY	PART No.
36.	C&S diverter valve complete	1	1208100
36b.	C&S valve body	1	1208103
37.	Dump valve cartridge	1	1208102
37b	12 V coil for dump valve	1	1308202
37c	Plastic nut for coil	1	1308205
38.	Cetop diveter valve	1	1208101
38b.	12 V coil for cetop valve	1	34087321
38c.	Plastic nut for coil	1	1308220
39.	3/8" Banjo Coupling	1	Z01-19-062
40.	3/8" Single top Banjo Bolt	1	Z01-20-062
41.	3/8" Male / Female Adaptor	2	Z01-05-06-06
42.	3/8" Male / Male Adaptor	10	Z01-06-06-06
43.	Hydraulic Ram (Cut & Start)	1	Z01-01-AWH9
43A.	Seal kit for above Hydraulic Ram	1	Z01-AWH
43B.	Accumulator fitted to above Ram	1	Z01-01-AWDA
44.	1/2" Female x 3/8" Male Adaptor	1	Z01-05-06-08
45.	3/8" Female / Female Adaptor	1	Z01-05-F6-F6
46.	1/2" Female x 1/2" Male/Male "T" Piece	1	Z01-12-003
47.	3/8" x 3/8" Adaptor with 2mm Restrictor	1	Z01-03-395
48.	Actuator Couple Kit	3	Z003-580-004
49.	Valve Couple Kit	3	Z003-580-005
50.	CG 4000 Cables	3	Z003-580-4000
51.	Std. Handle	1	Z003-580-007
52.	Handle c/w Microswitch	1	Z003-580-008
53.	Joystick (complete)	1	Z003-580-009
54.	Walvoil Autostop Kit complete	1	Z003-580-010
55.	Actuator	1	Z003-580-011
56.	M8 x 35 Hex Bolt	2	Z26-042B
57.	M8 Locknut	2	Z23-008
58.	Side Bracket	2	Z003-580-012
59.	Tie Bolt	2	Z003-580-013
60.	M6 Locknut	4	Z23-06
61.	3/8" M/M adaptor long	1	Z01-06-06L
62.	Plastic nut for coil	1	1308220



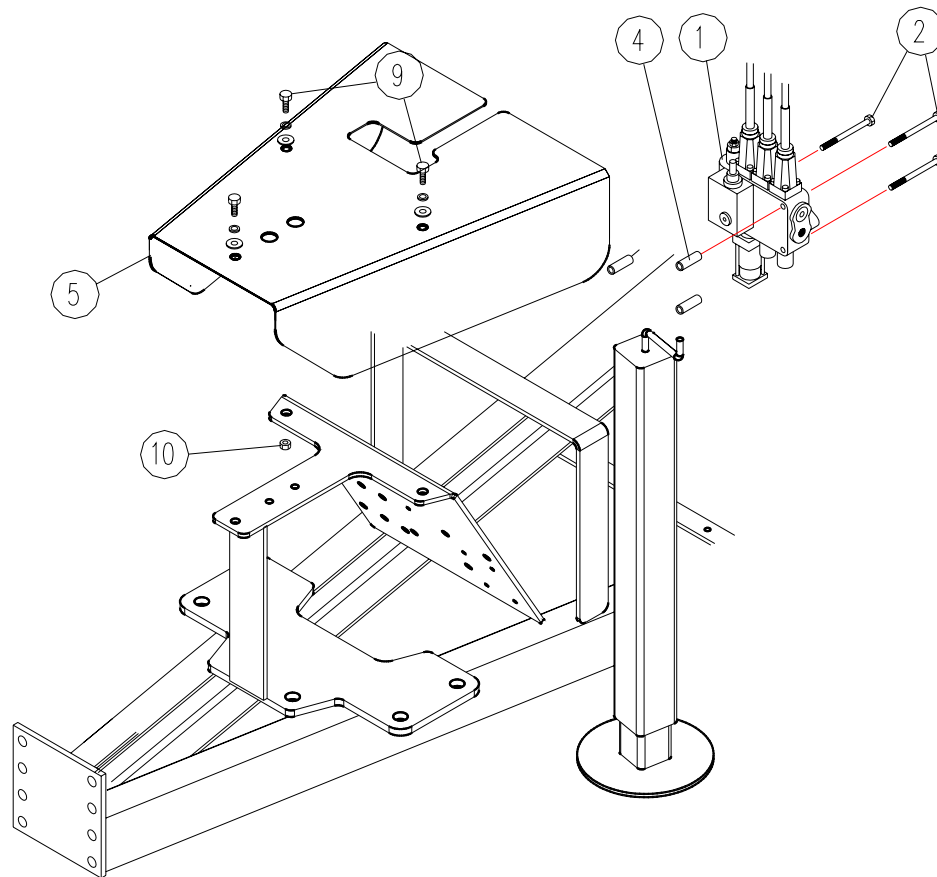
1.2.4 580A HYDRAULIC COMPONENTS

ITEM No.	DESCRIPTION	QTY	PART No.
1.	4 Bank Spool Valve (Walvoil)	1	Z01-03-A580
2.	Hydraulic Motor	1	Z01-02-RF200
2A.	Seal Kit for above Hydraulic Motor	1	Z01-RF200
3.	Cross line Relief Valve	1	Z01-03-004
3A.	Seal Kit for above Cross Line Relief Valve	1	Z01-03-004-RF
4.	½" BSP Bottom Banjo Bolt	2	Z01-03-002B
5.	Hydraulic Ram (Tipping Frame)	1	Z01-01AR687
5A.	Seal Kit for above ram	1	Z01-Z01
6.	½" Dowty Washer	12	Z01-04-03
7.	½" Non Return Valve	1	Z01-03-017
8.	½" x 3/8" Adaptor	4	Z01-06-06-08
9.	½" x ½" Adaptor	8	Z01-06-08-08
10.	½" Male Q/R Coupling	2	Z01-15-081
11.	Hydraulic Ram (Lift Arm)	1	Z01-01-AW1070 11A.
	Seal Kit for above ram	1	Z01-Y01
12.	108" St./ 90 3/8" D/W Hose	2	Z38-R2-108-S9
13.	72" St. / 90 3/8" D/W Hose	3	Z38-R2-72-S9
14.	60" St. / 90 3/8" D/W Hose	1	Z38-R2-60-S9
15.	24" St. / 90 1/2" D/W Hose	1	Z12-R2-24-S9
16.	24" St. / 90 3/8" D/W Hose	1	Z38-R2-24-S9
17.	12" St. / 90 3/8" D/W Hose	1	Z38-R2-24-S9
18.	9" St. / 90 3/8" D/W Hose	2	Z38-R2-9-S9
19.	48" St. / 90 3/8" D/W Hose	2	Z38-R2-48-S9
20.	Filter	1	Z01-24-08
20A.	Filter Element	1	Z01-24-08E
21.	3/8" Adaptor with 0.006" Restrictor	1	Z01-03-40
22.	½" Male/Male /Female "T" Piece	1	Z01-12-003
23.	108" St. / 90 ½" D/W Hose	2	Z12-R2-108-S9
24.	Hydraulic Ram (Pull Down)	1	Z01-01-AW25
24A.	Seal Kit for above Ram	1	Z01-AW25
25.	1/4" Dowty Washer	1	Z01-04-01
26.	¼" x 3/8" Adaptor	1	Z01-06-04-06
27.	½" Female/Female 90 Elbow	1	Z01-14-018
28.	3/8" Male/Female 90 Elbow	3	Z01-14-015
29.	Inline Flow Divider	1	Z01-03-10-A6
30.	3/8" Dowty Washer	18	Z01-04-02
31.	3/8" x 3/8" Adaptor	14	Z01-06-06-06
32.	3/8" Male/Male/Female "T" Piece	2	Z01-12-002
33.	Over Centre Valve	1	Z01-03-10-A8
34.	36" St. / 90 3/8" D/W Hose	1	Z38-R2-36-S9
35.	Copper Washer	2	Z01-04-15
36.	96" St. / 90 3/8" D/W Hose	1	Z38-R2-96-S9
37.	Hydraulic Ram (Cut & Start)	1	Z01-01-AWH9
37A.	Seal Kit for above Ram	1	Z01-AWH
37B	Accumulator fitted to above Ram	1	Z01-01-AWV
38.	Rotary Coupling	1	Z01-02-AWR
39.	3/8" Banjo Coupling	1	Z01-19-062
40.	Single top Banjo Bolt	1	Z01-20-062
41	84" St / 90 3/8" D/W Hose	1	Z38-R2-84-S9

1.3.1 580S VALVE AND COVER PLATE ASSEMBLY

ITEM No.	DESCRIPTION	QTY	PART No.
1.	3 Bank Spool Valve	1	Z01-03-A580
2.	M8 x 100 Hex Bolt	3	Z26-057B
3.	M8 Locknut	3	Z23-08
4.	Spacer	3	WD67-100
5.	580 S Valve Cover Plate	1	1201000
6.	10mm Flat Washer	3	Z10-02-10
7.	10mm Spring Washer	3	Z10-02-10
8.	M10 x 20 Hex Set	1	Z26-060S
9.	M10 x 25 Hex Set	2	Z26-0611S
10.	M10 Hex Nut	2	Z18-10

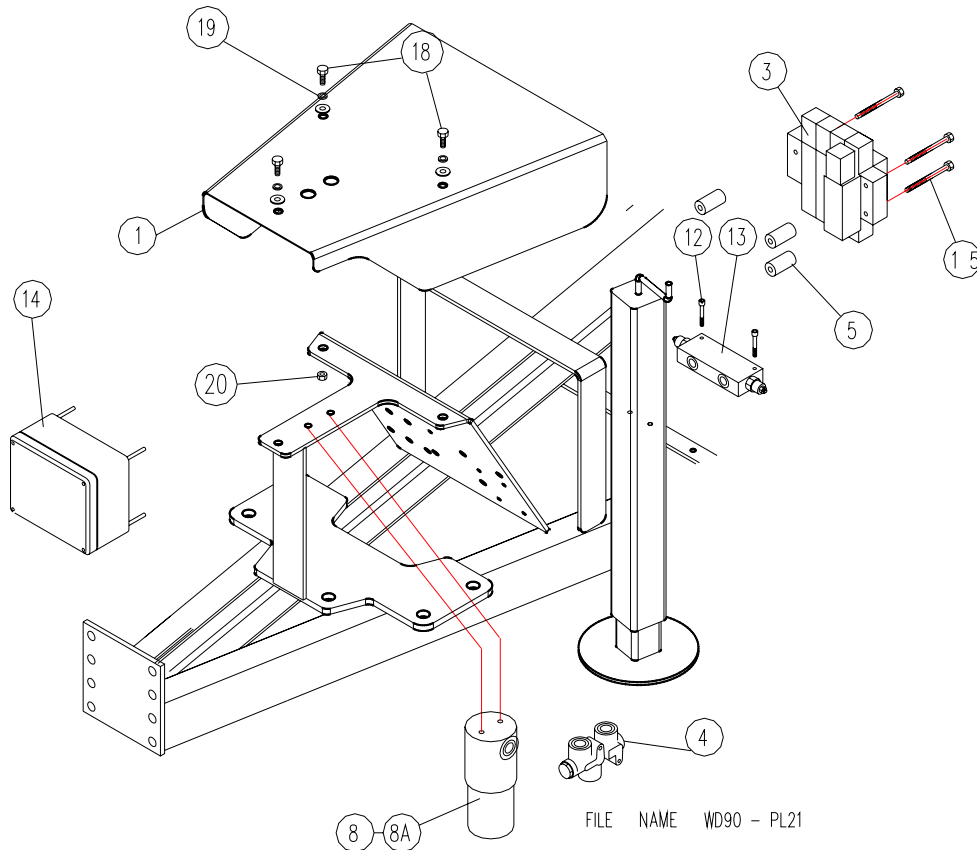
1.5.2



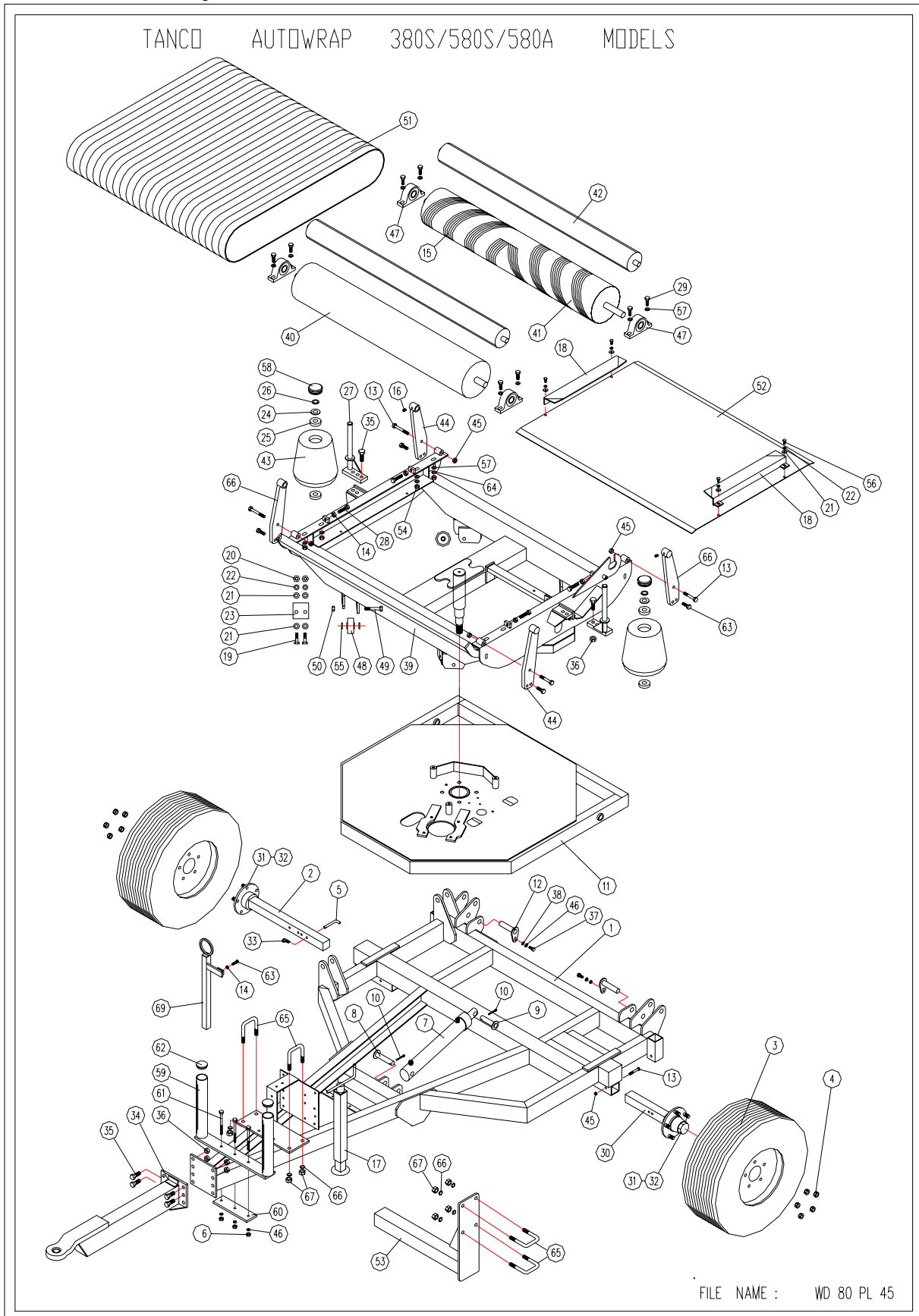
1.3.2 580A VALVE/JUNCTION BOX/FILTER COVER PLATE ASSEMBLY

ITEM No.	DESCRIPTION	QTY	PART No.
1.	Valve Cover Plate Assembly	1	1201007
3.	4 Bank Solenoid Valve	1	Z01-03-A550
4.	Flow Divider	1	Z01-03-10-A6
5.	Spacer	3	WD67-100
6.	8mm Mud flap Washer	2	Z11-02-081
7.	M6 Locknut	2	Z32-06
8.	Oil Filter	1	Z01-24-08
8A.	Oil Filter Element	1	Z01-24-08E
9.	M8 x 25 Hex Set	2	Z26-040S
10.	8mm Spring Washer	2	Z12-02-08
11.	M8 Locknut	3	Z23-08
12.	M6 x 45 Socket Cap Screw	2	Z13-020-50
13.	Over-Centre Valve	1	Z01-03-10-A8
14.	Junction Box	1	1009001
15.	M8 x 100 Hex Set	3	Z26-057S
16.	M5 x 20 Hex Set	2	Z26-017S
17.	M4 Locknut	4	Z23-04
18.	M10 x 20 Hex Set	3	Z26-060S
19.	10mm Spring Washer	3	Z12-02-10
20.	M10 Hex Nut	2	Z18-10
21.	M5 Locknut	2	Z23-05

1.6.2



2.1.1 Main Assembly





2.1.1 MAIN ASSEMBLY 580S / 580A

ITEM No.	DESCRIPTION	QTY	PART No.
1.	Chassis Assembly	1	WD67-CHA
2.	Stub Axle (long)	1	Z04-0336
2A.	(for bearings and cap see 30A,31and 32 below)		
3.	Wheels 300 x 65-12. 6 ply (Standard width)	2	Z04-04
	31 x 15.5 x 15. 8 ply (Wide option)	2	Z04-04-1070
	1080/12 . 8 ply (Narrow option)	2	Z04-03
4.	Wheel Nuts	10	M22AWNA
5.	Bissel Pin	1	WD60-861
6.	M10 Hex Nut	3	Z18-10
7.	Hydraulic Ram	1	Z01-01-AR687
8.	Ram Bottom Pivot Pin	1	Z03-02-330
9.	Ram Top Pivot Pin	1	Z03-03-50
10.	2" x 1/4" Split Pin	2	Z03-21-29
11.	Tipping Frame Assembly	1	WD67-TF
12.	Tipping Frame Pivot Pin c/w Grease Nipple	2	Z03-01-905
13.	M12 x 80 Hex Bolt	5	Z26-0901B
14.	M12 Hex Nut	6	Z18-12
15.	Grip Face Kit	2	Z05-02-AW49
16.	1/8" BSP St. Grease Nipple	4	Z39-60
17.	Screw Jack Assembly (welded on)	1	Z49-87
18.	Belt Guide Assembly	2	WD66-BG
19.	M8 x 25 Hex Set	4	Z26-040S
20.	M8 Hex Nut	8	Z18-08
21.	8mm Mud Flap Washer	16	Z11-02-081
22.	8mm Spring Washer	8	Z12-02-08
23.	Scraper	2	WD60-771
24.	Thrust Washer	2	WD60-292
25.	Bearing (6305 2RS)	4	Z06-AWRB-93
26.	Circlip	2	Z28-525
27.	End Roller Mounting Bracket	2	WD66-ERM
28.	M12 x 60 Hex Set	4	Z26-088S
29.	M14 x 50 Hex Bolt	8	Z26-104B
30.	Stub Axle (short)	1	Z04-032
30A.	Cap for Axle Hub	2	M22AH-60A
31.	Inner Bearing	2	M22AB-209
32.	Outer Bearing	2	M22AB-206
33.	4mm "R" Clip	1	Z36-02
34.	Ring Hitch Assembly (long)	1	WD65-HIT
35.	M16 x 60 Hex Set	6	Z26-126S



2.1.2

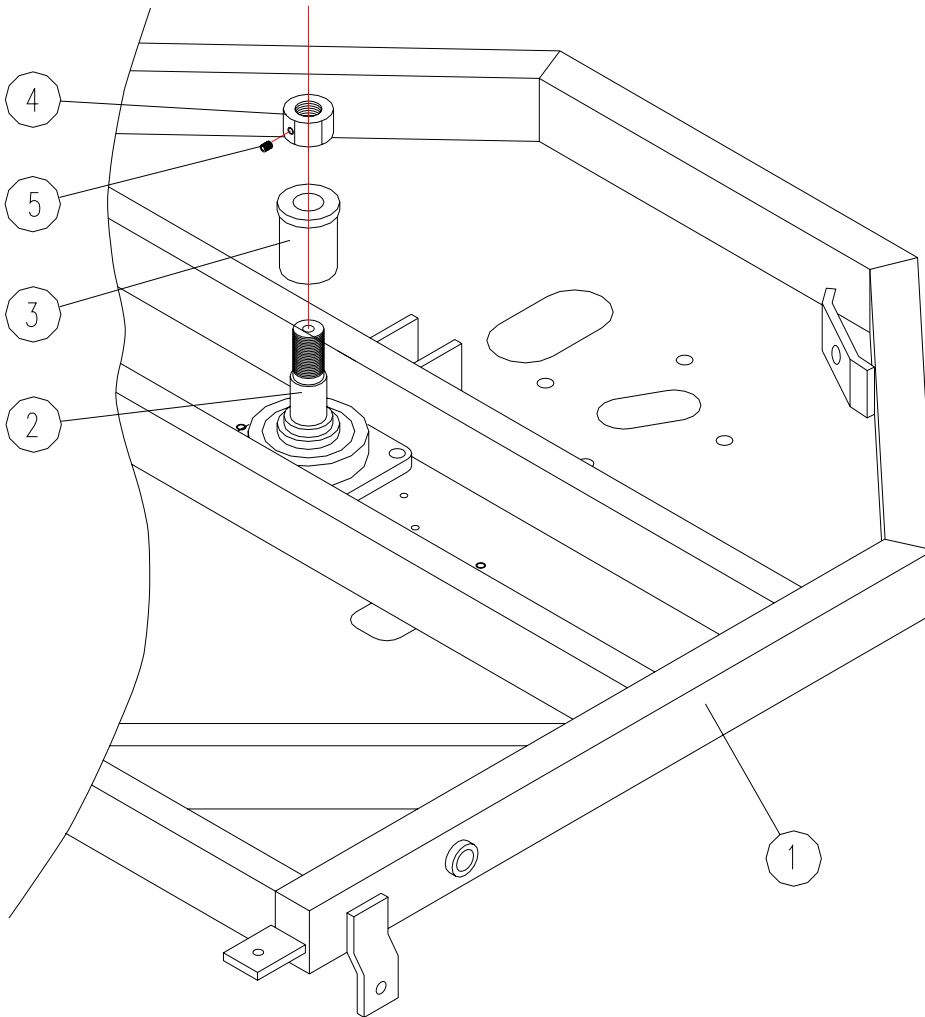
MAIN ASSEMBLY 580S / 580A

ITEM No.	DESCRIPTION	QTY	PART No.
36.	M16 Locknut	14	Z23-16
37.	M10 x 20 Hex Set	2	Z26-060S
38.	10mm Flat Washer	2	Z11-02-10
39.	Turntable Assembly	1	WD67-TA
40.	Roller Assembly (Idler)	1	WD66-BRI
41.	Roller Assembly (Drive)	1	WD66-BRD
42.	Roller Assembly	2	WD66- SMR
43.	End Roller	2	Z06-AWR
44.	Roller Mounting Bracket	2	WD66-RMB1
45.	M12 Lock Nut	9	Z23-12
46.	10mm Spring Washer	5	Z12-02-10
47.	1 1/4" Pillow Block Bearing c/w Cam Lock	4	Z06-485
48.	Support Wheels	4	Z06-466W
49.	Axle Assembly c/w Grease Nipple	4 Z39-60	Z03-22-AW/AX
50.	M20 Locknut	4	Z23-20
51.	6mm Flat Belt 1200mm Wide x 2475 Long	1	Z05-02AW96
52.	Turntable Cover Plate	1	WD66-024
53.	Dispenser Mast Mounting Bracket	1	WD67-DMM
54.	M14 Hex Nut	8	Z18-14
55.	Spacer	8	WD67-101
56.	M8 x 30 Hex Set	4	Z26-041S
57.	14mm Flat Washer	16	Z11-02-14
58.	Plastic Cap	2	Z060AWRC65
59.	Film Transport Bracket	1	WD60-FTB1
60.	Clamping Plate	1	WD60-933
61.	M10 x 140 Hex Bolt	3	Z26-0726B
62.	Plastic Cap	2	Z23-081
63.	M12 x 40 Hex Set	6	Z26-084S
64.	14mm Spring Washer	8	Z12-02-14
65.	"U" M16	4	Z35-52
66.	Roller Mounting Bracket	2	WD66-RMB2
67.	Hose / Cable Guide	1	WD65-HCG

2.3 TABLE LOCKING ARRANGEMENT

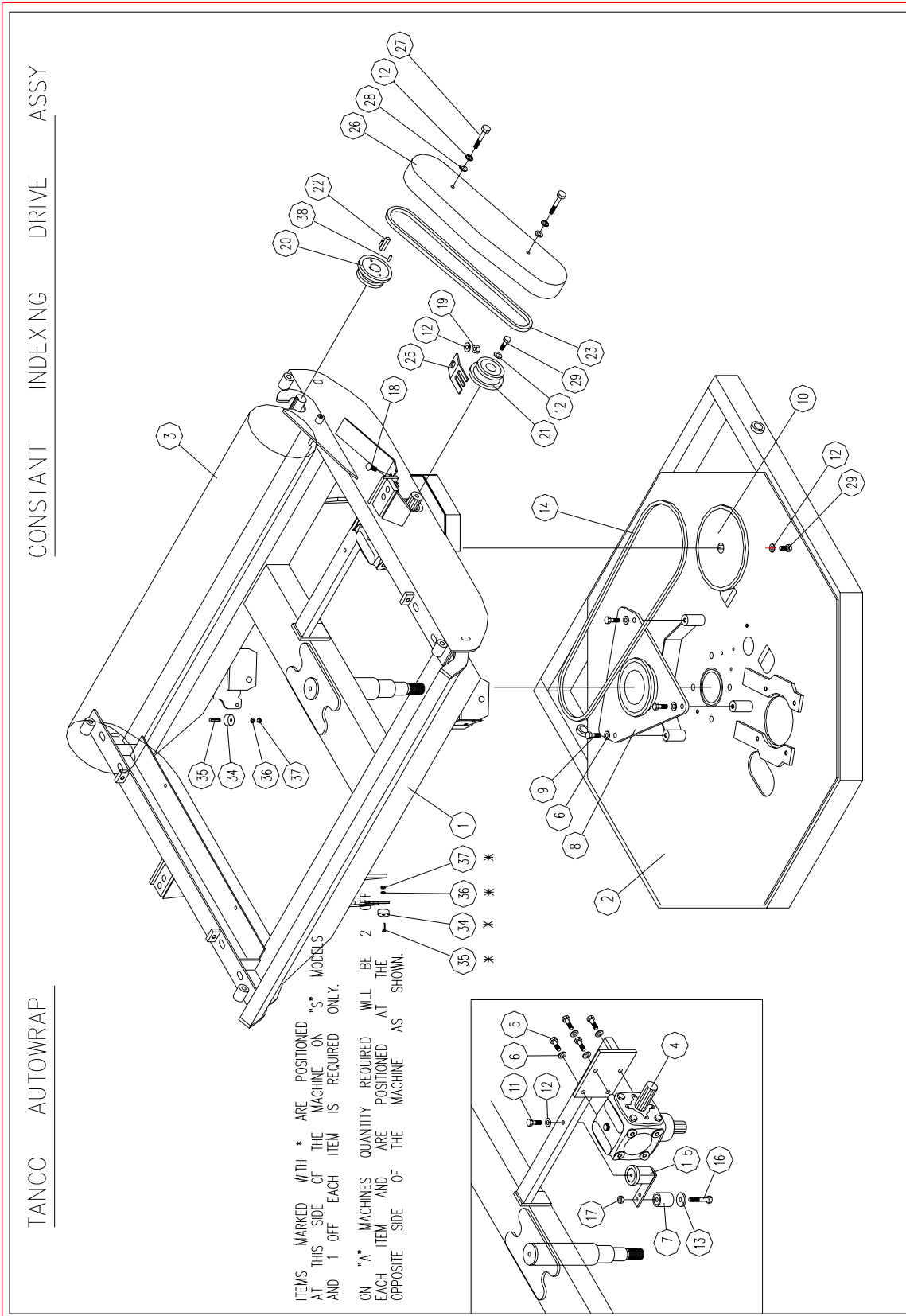
ITEM No.	DESCRIPTION	QTY	PART No.
1.	Tipping Frame (underside view)	1	WD67-TF
2.	Turntable Centre Shaft	1	WD67-017
3.	Spindle Spacer	1	WD67-SS
4.	1 ¼ UNC Retaining Nut	1	WD64-054
5.	M8 x 6 Grub Screw	2	Z28-007

8.1.2



FILE NAME : WD 64 - PL41

2.2.1 Roller Drive assembly



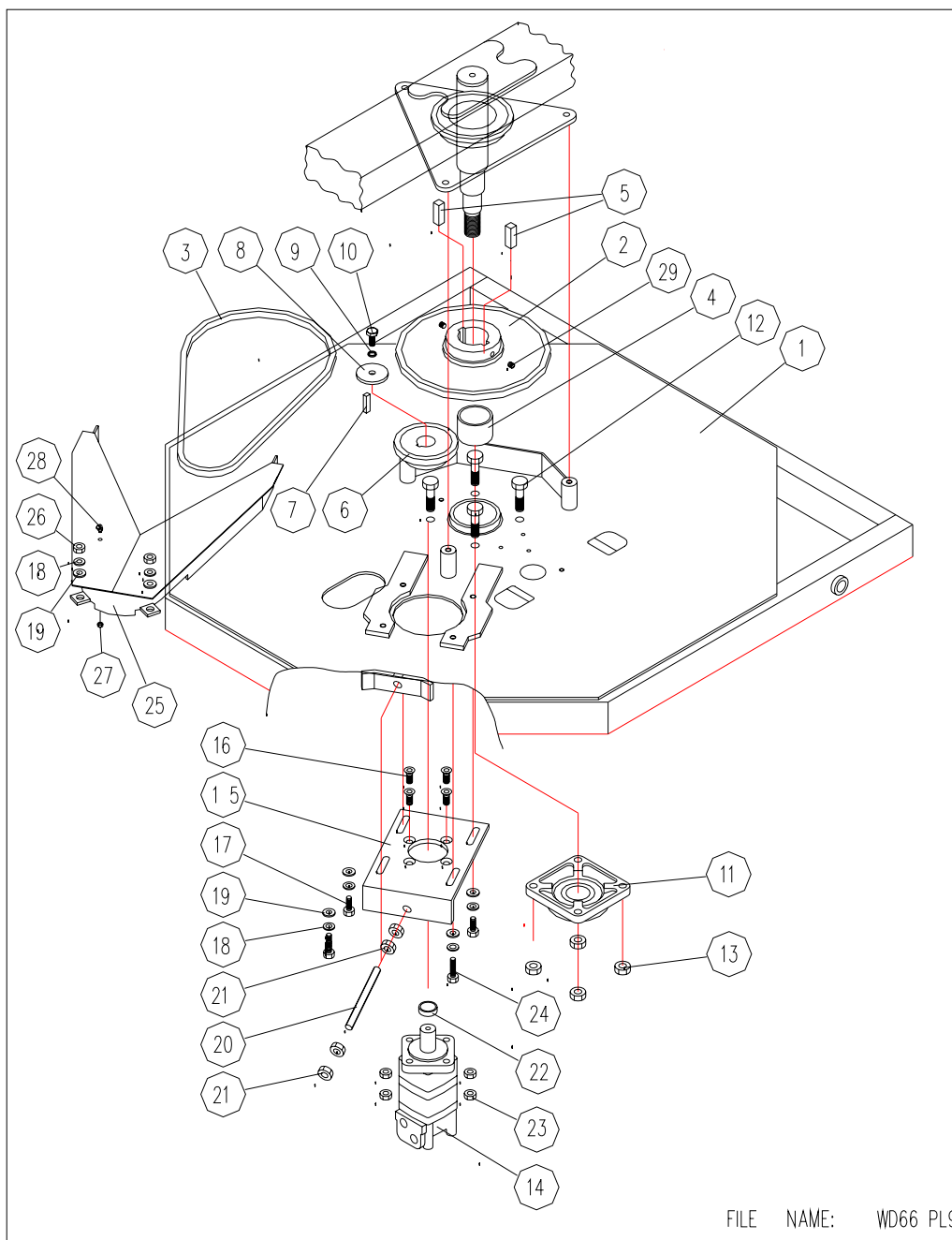


2.2.2 ROLLER DRIVE ASSEMBLY

ITEM No.	DESCRIPTION	QTY	PART No.
1.	Turntable Assembly	1	WD67-TA
2	Tipping Frame Assembly	1	WD67-TF
3.	Drive Roller Assembly	1	WD66-BRD
4.	Gearbox	1	Z01-25-300
5A.	Gearbox Seal Kit	1	Z01-25-300S
5B.	Gearbox Shaft, Input (vertical)	1	Z01-25-309
5C.	Gearbox Shaft, Output (horizontal)	1	Z01-25-313
6.	M12 x 30 Hex Set	4	Z26-082S
7.	Chain Tensioner	1	WD60-CT
8.	Centre Sprocket Assembly 27 Tooth	1	WD63-CSA
9.	M12 x 40 Hex Set	3	Z26-084S
10	46 Tooth Sprocket	1	Z06-D64-46S
11	M10 x 50 Hex Bolt	1	Z26-066B
12.	10mm Spring Washer	5	Z12-02-10
13.	Retaining Collar	1	WD623-071
14.	Chain ¾" Pitch x 100 Pitches (inc. Joiner)	1	Z09-AW-56
15.	Rosta Tensioner	1	Z06-454
16.	M10 x 65 Hex. Bolt	1	Z26-0671B
17.	M10 Locknut	1	Z23-10
18.	M10 x 30 CUP Sq. Screw	1	Z13-112
19.	M10 Hex Nut	1	Z18-10
20.	Sprocket Double Simplex 13T/16T Keyed	1	Z06-D64-1316K
21.	Sprocket Double Simplex 13T/16T Splined	1	Z06-D65-1316S
22	Key 5/16" x 5/16" 45mm Long	1	WD64-053
23.	Chain ¾" Pitch x 62 Pitches (inc. Joiner)	1	Z09-AW-3
24.	Spiral Pin, 6 x 20 Din 7344 (or ISO 8748)	2	Z03-23-062
25.	Chain Stripper	1	WD67-127
26.	Chain Guard	1	WD67-CGC
27.	M10 x 70 Hex Bolt	2	Z26-068B
28.	10mm Flat Washer	2	Z10-02-10
29.	M10 x 30 Hex Set	2	Z26-062S
34.	Magnet	2*	ZD605-200
35.	M6 x 35 Csk. Hd. Set	2*	Z13-132
36.	6mm Mud flap Washer	2*	Z11-02-06
37.	M6 Locknut	2*	Z23-06

* On "S" machines the quantity of these items is 1 off

2.4.1 Turntable Chain Drive assembly

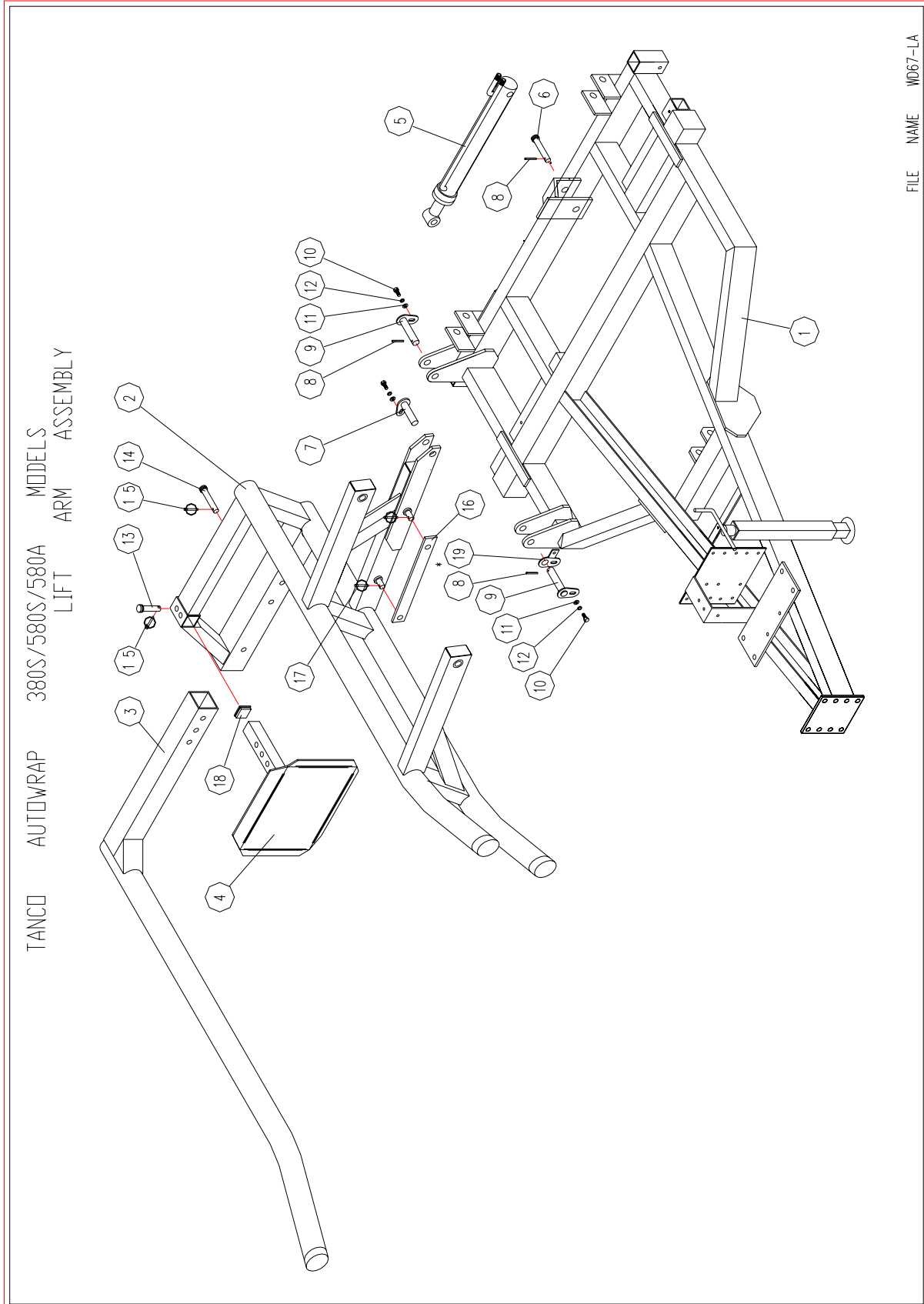




2.4.2 TURNTABLE CHAIN DRIVE ASSEMBLY

ITEM No.	DESCRIPTION	QTY	PART No.
1.	Tipping Frame Assembly	1	WD67-TF
2.	38 Tooth x 1" Pitch Sprocket	1	Z06-D64-38
3.	Chain 1" Pitch x 54 Pitches	1	Z09-AW6
4.	Spindle Spacer	1	WD64-040
5.	Key, 5/8" Sq. x 50mm Long	2	WD64-052
6.	15 Tooth x 1" Pitch Sprocket	1	Z06-I60-046
7.	Key, 5/16" Sq. x 45mm Long	1	WD64-053
8.	Locking Collar	1	WD623-071
9.	10mm Spring Washer	1	Z12-02-10
10.	3/8" x 1" Long UNC Hex Set	1	Z27-023S
11.	2" Flange Bearing c/w Cam Lock Collar	1	Z06-49EC
12.	5/8"x 2" Long UNF Hex Set	1	Z31B-064
13.	5/8" UNF Locknut	4	Z20-10
14.	Hydraulic Motor	1	Z01-02-FR200
15.	Hydraulic Motor Mounting Plate	1	WD64-001
16.	M12 x 50mm Allen Hd. Csk. Set	4	Z13-5-12X50
17.	M12 x 30 Hex Set	2	Z26-082S
18.	12mm Spring Washer	6	Z12-02-12
19.	12mm Flat Washer	6	Z11-02-12
20.	M16 Threaded Bar x 165 Long	1	WD64-038
21.	M16 Hex Nut	4	Z18-16
22.	Spacer	1	Wi60-093
23.	M12 Locknut	4	Z23-12
24.	M12 x 50 Hex Set	2	Z26-086S
25.	Drive Chain Guard	1	WD66-DCG
26.	M12 Hex Nut	2	Z18-12
27.	M6 Hex Nut	1	Z18-06
28.	M6 90 Deg. Grease Nipple	1	Z39-65
29.	M12 Grub Screw	2	Z28-012

3.1 Lift Arm Assembly

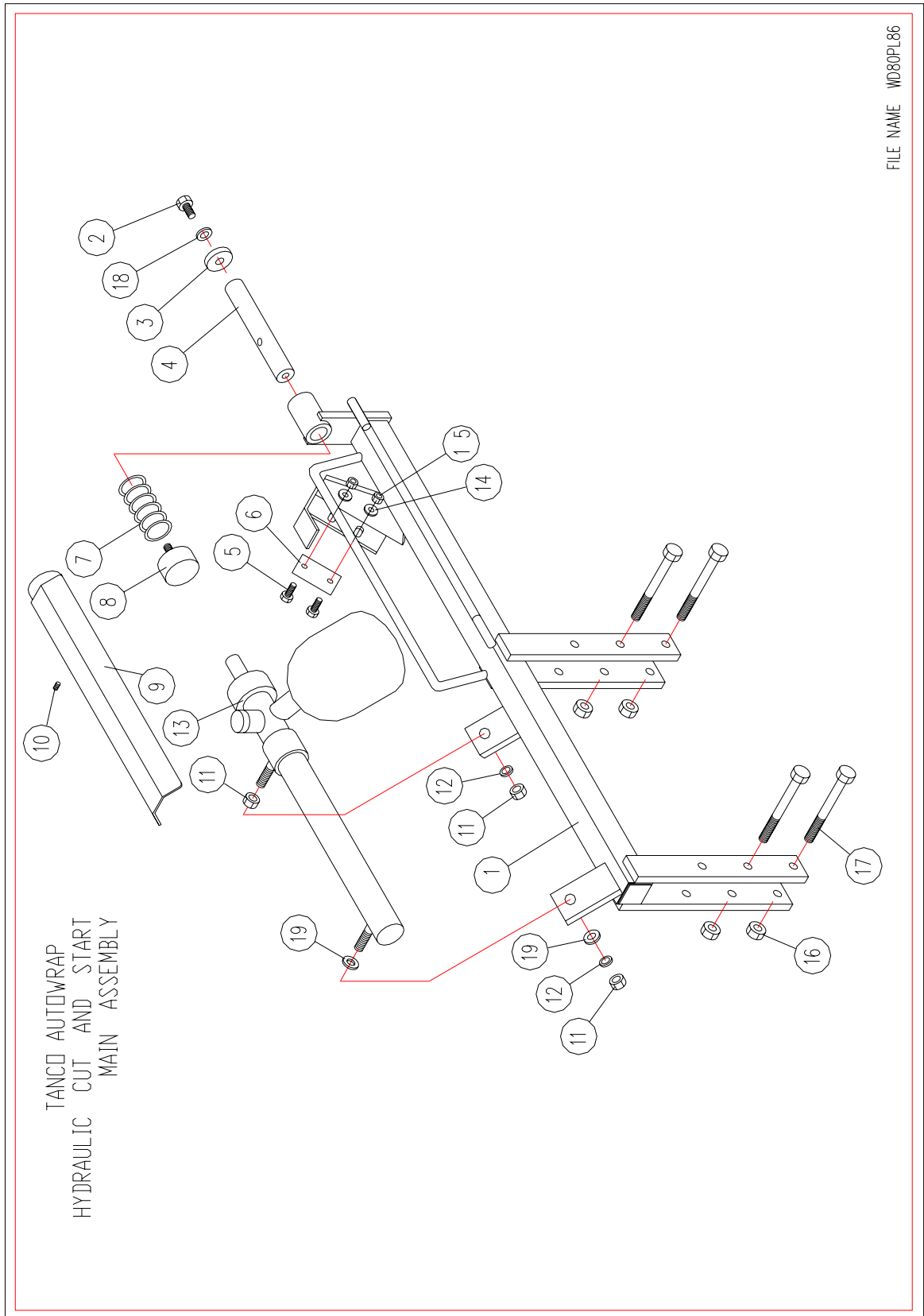




3.2 580S/A LIFT ARM ASSEMBLY

ITEM No.	DESCRIPTION	QTY	PART No.
1.	Chassis Assembly	1	WD67-CHA
2.	Lift Arm Assembly	1	WD60-LA2
3.	Adjustable Outer Arm Assembly	1	WD60-LAAA
4.	Adjustable Bale Stop	1	WD610-LAS
5.	Hydraulic Ram (Lift Arm)	1	Z01-01-AW1070
6.	Ram Boss Pivot Pin	1	Z03-02-330
7.	Ram Top Pivot Pin	1	Z03-D66-90
8.	2" x 1/4" Split Pins	3	Z03-21-29
9.	Lift Arm Pivot Pin c/w Grease Nipple	2	Z03-01-905
10.	M10 x 20 Hex Set	3	Z26-060S
11.	10mm Flat Washer	3	Z11-02-10
12.	10mm Spring Washer	3	Z12-02-10
13.	Sparex Pin	1	Z03-04-73
14.	Sparex Pin	1	Z03-04-77
15.	7/16" Dia. Linch Pin	1	Z03-22-06
16.	Safety Support Bar	1	WD60-319
17.	6mm Dia. Linch Pin	2	Z03-22-03
18.	Plastic Cap	1	Z32-10

4.1 Cut and Start Assembly





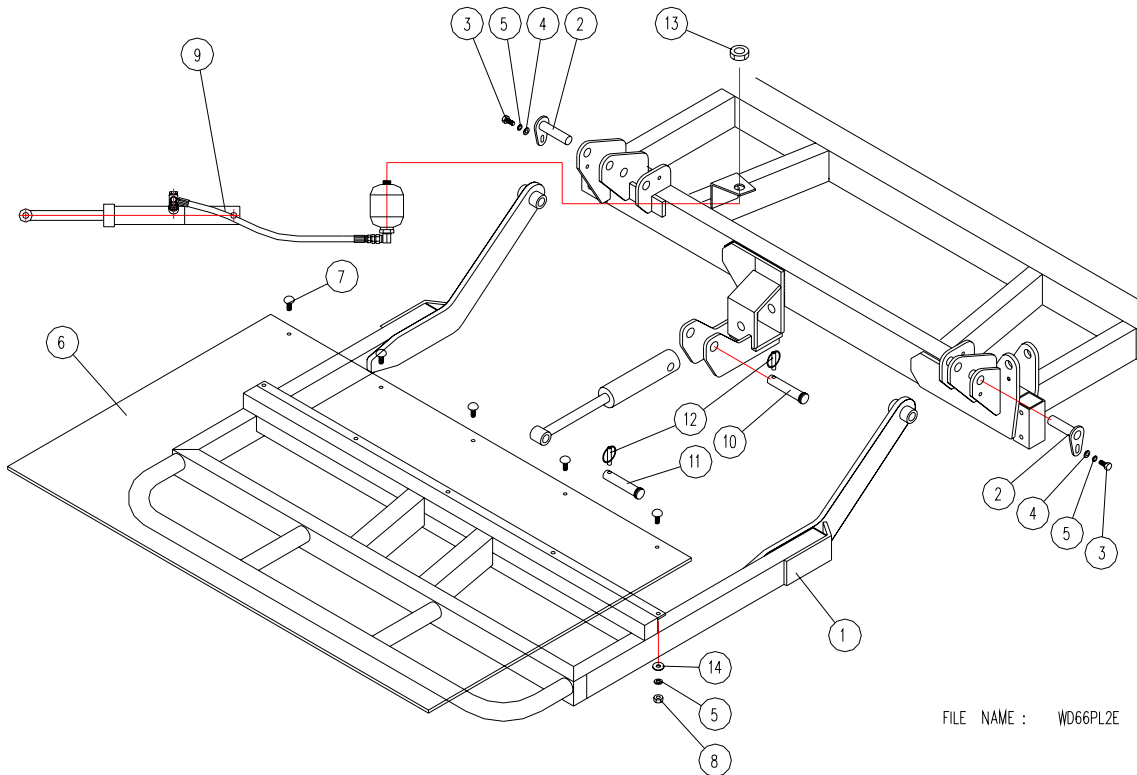
4.2 HYDRAULIC CUT AND START ASSEMBLY

ITEM No.	DESCRIPTION	QTY	PART No.
1.	Hydraulic Cut and Start Main Frame	1	WD605H-MF1
2.	M10 x 25 Hex Set	1	Z26-0611S
3.	Locking Collar	1	WD623-071
4.	Gripper Rod	1	WD605H-13
5.	M8 x 25 Hex Set	2	Z26-040S
6.	Blade	1	WD605-104
7.	Spring	1	Z07-49
8.	Gripper Pad (rubber)	1	Z40-28
9.	Gripper Pad	1	WD605H-15
10.	M8 x 10 Grub Screw	1	Z28-008
11.	M14 Hex Nut	3	Z18-14
12.	14mm Spring Washer	2	Z12-02-14
13.	Hydraulic Ram c/w Accumulator (Cut and Start)	1	Z01-01-AWH9
13A	Hydraulic Ram for above	1	Z01-01-AWH9C
13B	Accumulator for above Ram	1	Z01-01-AWDA
13C	Charging Check Valve for above Ram	1	Z01-01-AWV
14.	8mm Mud Flap Washer	2	Z11-02-081
15.	M8 Locknut	2	Z23-08
16.	M10 Locknut	4	Z23-10
17.	M10 x 75 Hex Bolt	4	Z26-069B
18.	10mm Spring Washer	1	Z12-02-10
19.	14mm Flat Washer	2	Z11-02-14

5.1.1 HYDRAULIC BALE RAMP

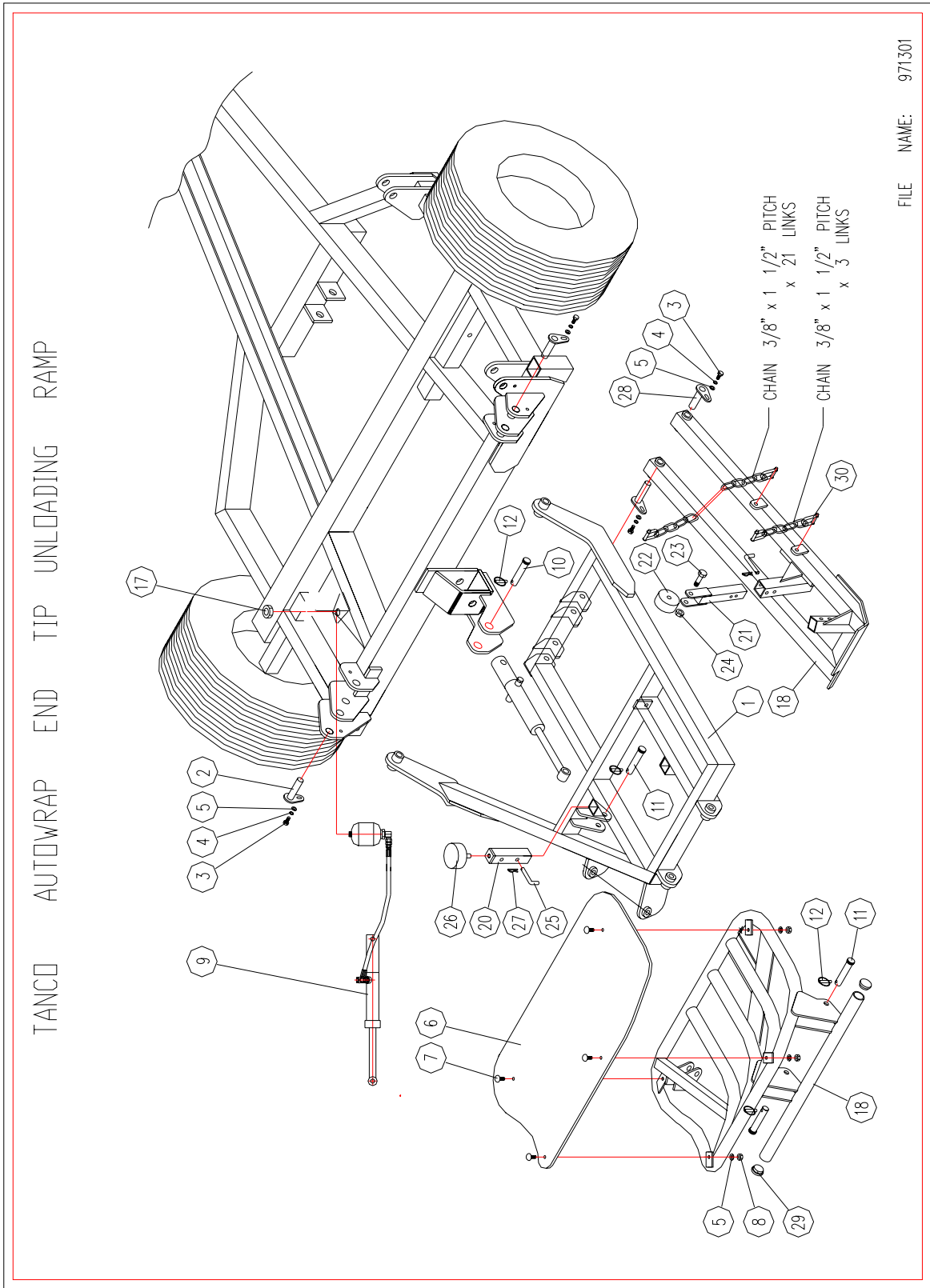
ITEM No.	DESCRIPTION	QTY	PART No.
1.	Hydraulic Bale Ramp	1	WD65-HBRF
2.	Ramp Main Pivot Pin c/w Grease Nipple	2	Z03-01-905
3.	M10 x 20 Hex Set	2	Z26-060S
4.	10mm Flat Washer	2	Z11-02-10
5.	10mm Spring Washer	7	Z12-02-10
6.	Bale Mat	1	Z05-02-BRM
7.	M10 x 30 Cup Hd. Sq. Set	5	Z13-112
8.	M10 Hex Nut	5	Z18-10
9.	Hydraulic Ram c/w Accumulator	1	Z01-01-AWD
9A.	Hydraulic Ram only for above assembly	1	Z01-01-AWDC
9B.	Accumulator for above assembly	1	Z01-01-AWDA
9C.	Charging Valve for above assembly	1	Z01-01-AWV
9E.	Hose for above assembly	1	Z01-01-AWDH
10.	Sparex Pin	1	Z03-04-74
11.	Sparex Pin	1	Z03-04-73
12.	7/16" Linch Pin	2	Z03-22-06
13.	M28 x 1.5 Pitch Hex Nut	1	Z001-243
14.	10mm Mud Flap Washer	5	Z11-02-101

10.1.2



FILE NAME : WD66PL2E

5.2.1 End Tip Ramp



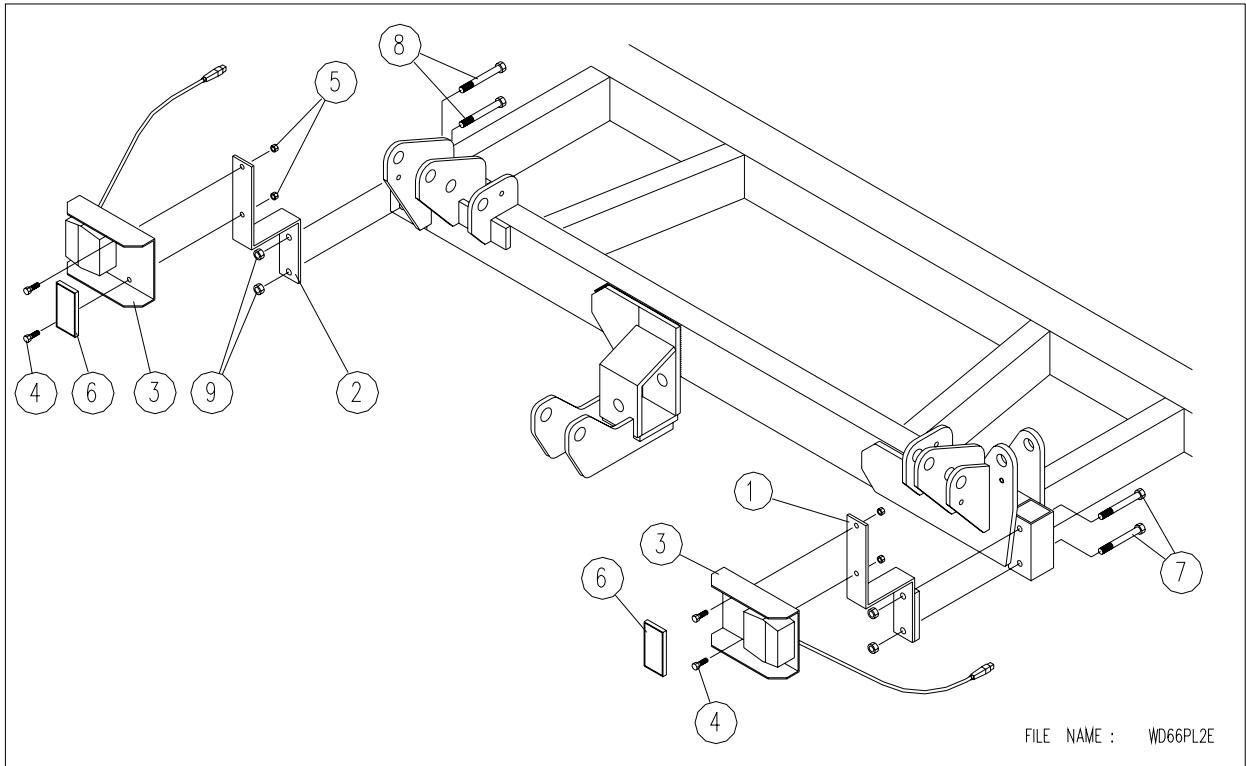


5.2.2 END TIP UNLOADING RAMP

ITEM No.	DESCRIPTION	QTY	PART No.
	End tip unloading ramp complete		D66-ETR-97
1.	End Tip Main Frame	1	WETR-MF
2	Ramp Main Pivot Pin c/w Grease Nipple	2	Z03-01-905
3.	M10 x 20 Hex Set	2	Z26-060S
4.	10mm Flat Washer	2	Z11-02-10
5.	10mm Spring Washer	7	Z12-02-10
6.	Bale Mat	1	Z05-ETM
7.	M10 x 30 Cup Hd. Sq. Set	4	Z13-112
8	M10 Hex Nut	4	Z18-10
9.	Hydraulic Ram c/w Accumulator & Restrictor	1	Z01-01-AWET
9A	Hydraulic Ram only for above assembly	1	Z01-01-AWDC
9B.	Accumulator for above assembly	1	Z01-01-AWDA
9C.	Charging Valve for above assembly	1	Z01-01-AWV
9E	Hose for above assembly	1	Z01-01-AWDH
9F	Adjustable Restrictor for above assembly	1	Z01-03-1046
10.	Sparex Pin	1	Z03-04-74
11.	Sparex Pin	3	Z03-04-73
12.	7/16" Linch Pin	4	Z03-22-06
17.	M28 x 1.5 Pitch Hex Nut	1	Z001-243
18	Gate Assembly	1	WETR-GA
19	Skid Assembly	1	WETR-SA
20	Buffer Mounting Bracket	1	WETR-BM
21	Roller Mounting Bracket	1	WETR-RMB
22	Roller Wheel	1	WD67-069
23	M16 x 75 Hex Bolt	1	Z26-129B
24	M16 Locknut	1	Z23-16
25	Bissel Pin	2	WD60-861
26	Rubber Buffer 100mm O.D.	1	Z40-22
27	4mm "R" Clip	2	Z36-02
28	Pin c/w Grease Nipple	2	Z03-01-798
29	Plastic Cap	2	Z40-27
30	½" Dia "D" Shackle	4	Z38-04

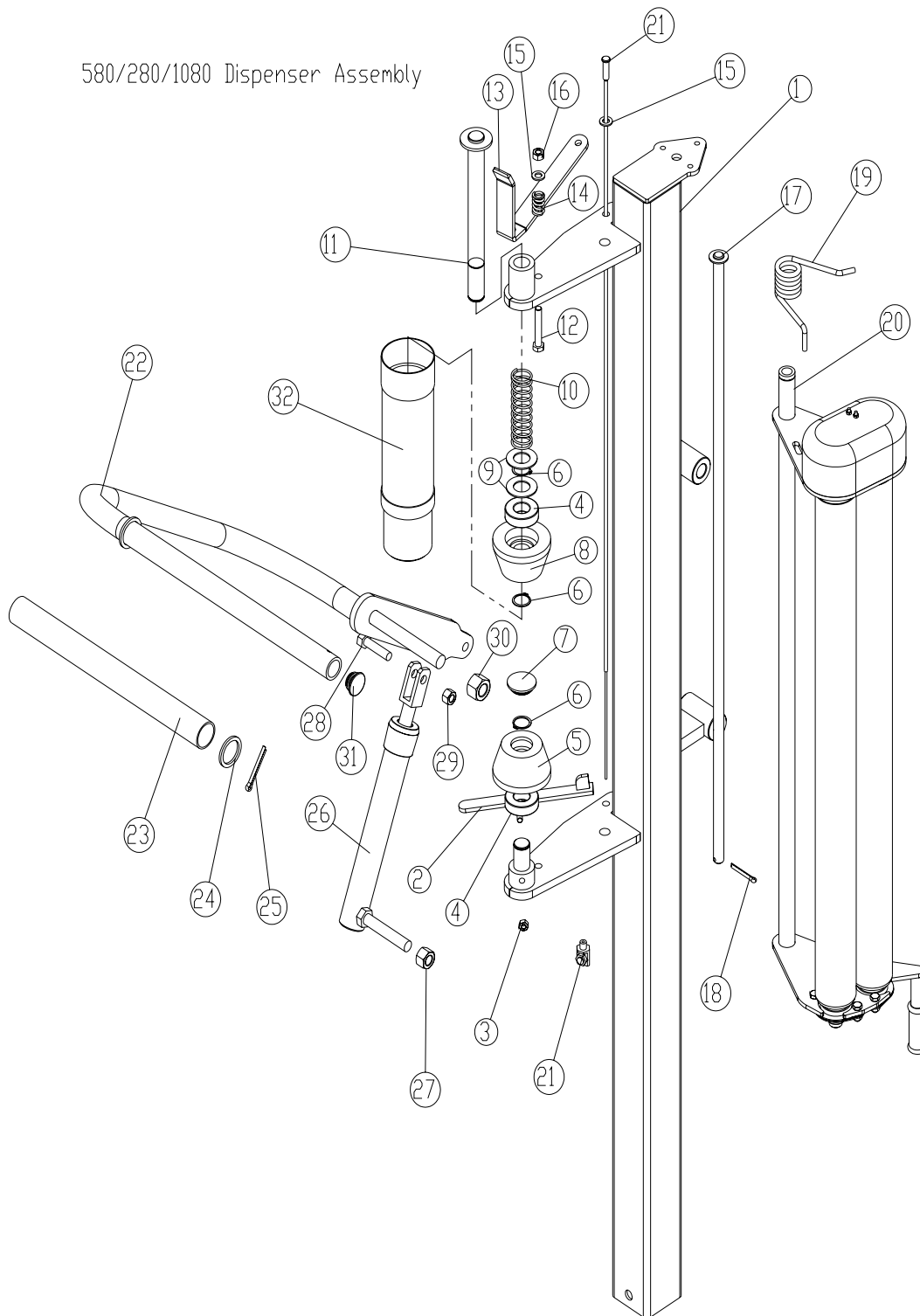
6.1 LIGHTING KIT

ITEM No.	DESCRIPTION	QTY	PART No.
	Lighting Kit Complete	1	Z05-30
1.	Light Mounting Bracket R.H.S.	1	WD60-LMB
2.	Light Mounting Bracket L.H.S.	1	WD60-899
3.	Light Cluster	2	Z01-30LP
4.	M8 x 25 Hex Set	4	Z26-040S
5.	M8 Locknut	4	Z23-08
6.	Reflector	2	Z04-621
7.	M12 x 100 Hex Bolt	2	Z26-092B
8.	M12 x 90 Hex Bolt	2	Z26-091B
9.	M12 Locknut	4	Z23-12



7.1.1 Dispenser Mast Assembly

580/280/1080 Dispenser Assembly



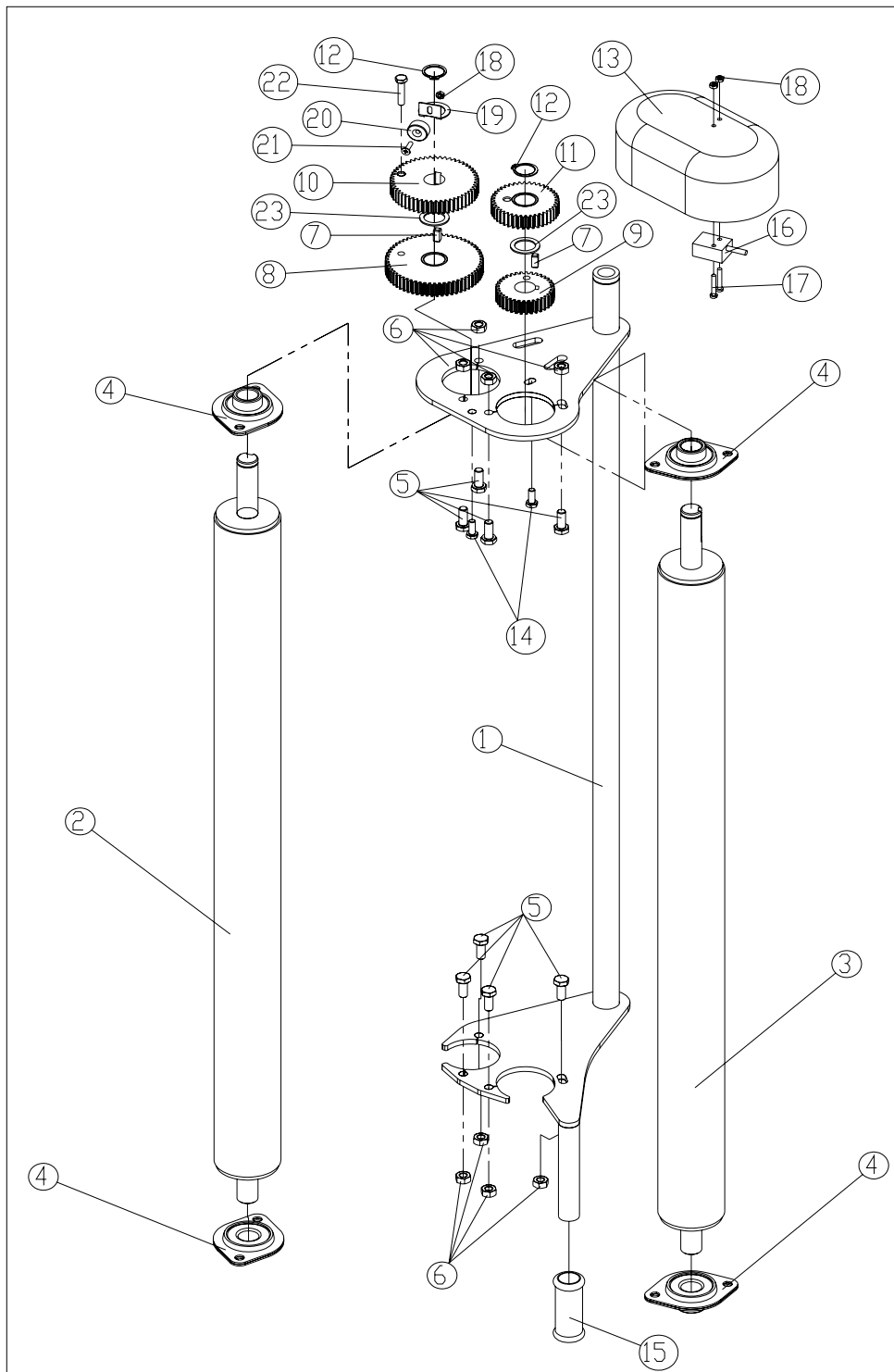


7.1.2 Dispenser parts list

ITEM	PART NO.	QTY	DESCRIPTION
	1205000	1	TW Dispenser complete
1	WD90-DM	1	Dispenser mast frame
2	1305010	1	Bottom latch
3	Z23-08	1	M.8 Locknut
4	1305015	2	Bearing
5	1305016	1	Bottom cone
6	1305017	3	Cir-clip 25 mm
7	1305018	1	Plastic cap 1 1/4"
8	1305019	1	Upper cone
9	1305020	2	25mm dia. flat washer
10	1305021	1	Spring
11	1305022	1	Top shaft
12	Z26-067B	1	M10 x 60 Hex bolt
13	WD13-006	1	Top latch
14	1305027	1	Spring
15	Z11-02-11	2	M 10 flat washer
16	Z23-10	1	M.10 Locknut
17	1305030	1	Pivot pin
18	1305033	1	Split pin
19	1305034	1	Torsional spring
20	1205100	1	TW Insert
21	Z003-1200	1	Latch release wire kit
22	WD617-FPDA	1	Film Pull down arm assembly
23	WD60-866	1	Plastic Roller
24	WD60-859	1	Retaining washer
25	Z01-23-29	1	1/4" x 2" Split pin
26	Z01-01-AW25	1	Hydraulic Ram (pull down)
27	Z23-16	1	M16 Locknut
28	Z26-086S	1	M12 x 50 Bolt
29	Z23-12	1	M12 Locknut
30	Z23-20	1	M 20 Locknut
31	Z32-14	1	1" G.B plastic cap
32*	WD60-FA	1	500 mm Film adaptor

* indicates optional equipment

7.2.1. TW Dispenser insert



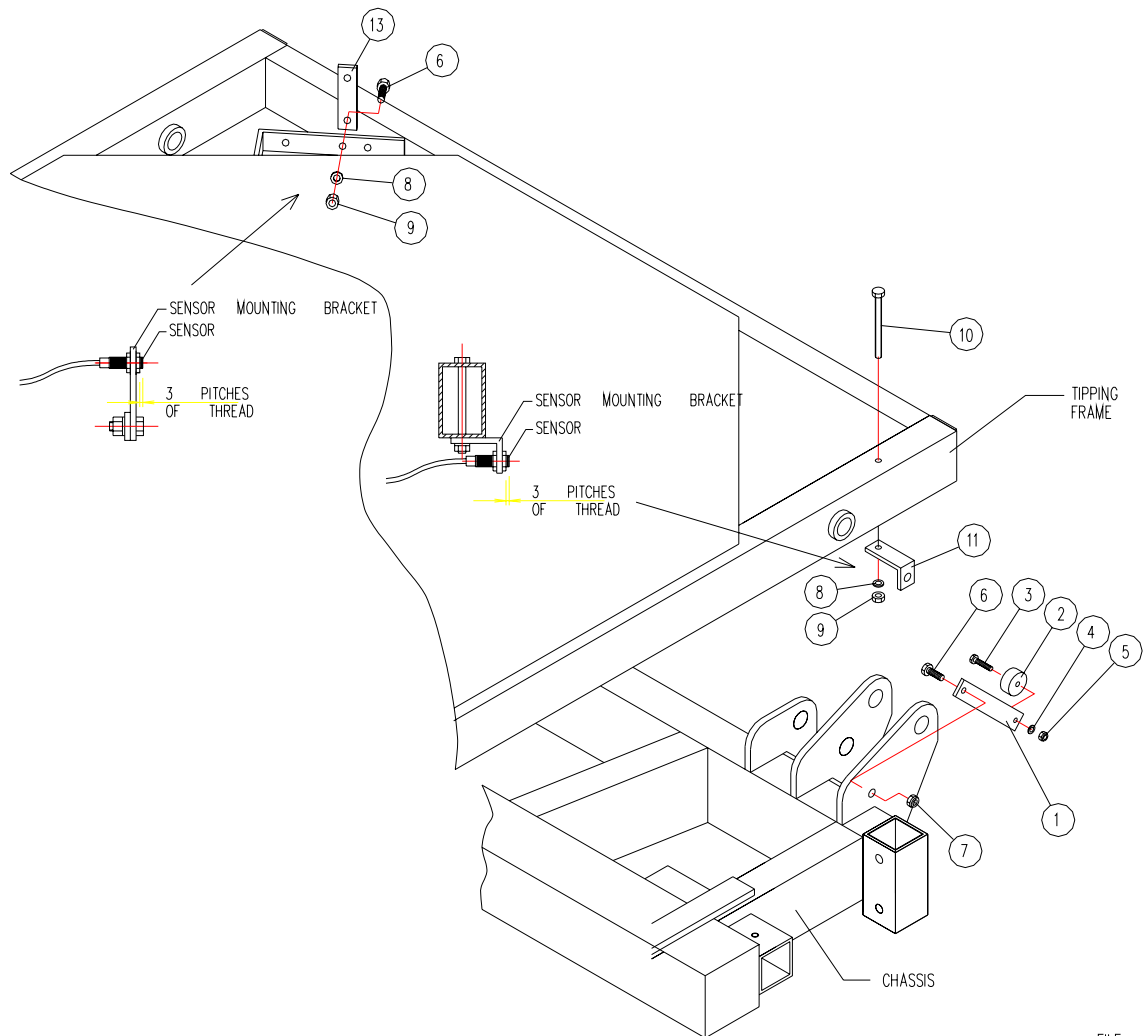


7.2.2 TW Dispenser insert Parts list

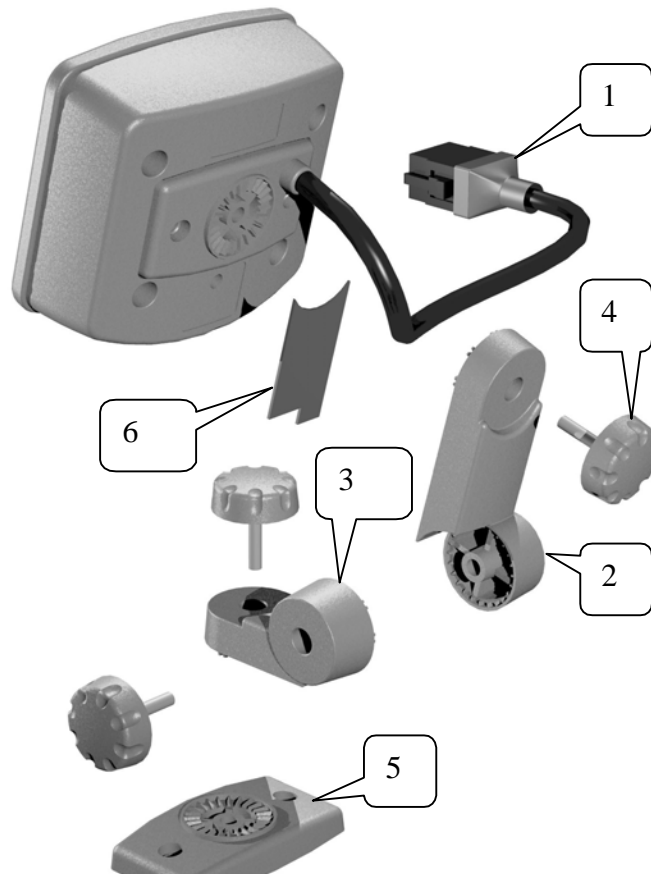
ITEM	PART NO.	QUANTITY	DESCRIPTION	Dimension
	1205100	1	TW insert complete	
1	1205101	1	TW Insert Frame	
2	1305120	1	Inner Roller	
3	1305121	1	Outer Roller	
4	1305122	4	Bearing	RHP SLF20A
5	Z26-039S	8	M8 * 20 Bolt	
6	Z23-08	8	M8 Locknut	
7	1305123	2	6 mm square key steel	15 mm long
8	1305101	1	60 t gear	16 mm
9	1305102	1	35 t gear	16 mm
10*	1305105		54 t gear	16 mm
11*	1305106		41 t gear	16 mm
10	1305103	1	58 t Gear	16 mm
11	1305104	1	37 t Gear	16 mm
12	1305124	2	20 mm external cir-clip	
13a	1305125	1	Dispenser gearbox cover	
13b**	1305126	1	Dispenser gearbox cover	(c/w holes)
14	Z26-018S	2	M6 * 16 mm bolt	
15	Z32-16	1	Plastic hand grip	
16**	D606C-SS1	1	Film break Sensor	
17**	Z13-4-04x25	2	M4 x 25 Allen head	
18**	Z23-04	3	M4 lock nut	
19**	WD404-052	1	Magnet mounting bracket	
20**	D606C-SM1	1	Magnet	
21**	Z13-125	1	M4 x 20 countersunk screw	
22	Z26-0225	1	M6 x 30 bolt	
23	1305115	2	Copper Washer between gears	
*	Optional 33% Stretch Gears			
**	Optional Film Break Sensor			

8.1. SENSOR AND MAGNET MOUNTING BRACKETS

ITEM No.	DESCRIPTION	QTY	PART No.
1.	Magnet Mounting Bracket	1	WD605-165
2.	Magnet	1	ZD605-200
3.	M6 x 30 Hex Set	1	Z26-022S
4.	6mm Flat Washer	2	Z12-02-06
5.	M6 Locknut	2	Z23-06
6.	M8 x 25 Hex Set	2	Z26-40S
7.	M8 Locknut	1	Z23-08
8.	8mm Spring Washer	2	Z12-02-08
9.	M8 Hex Nut	2	Z18-08
10.	M8 x 100 Hex Set	1	Z26-057S
11.	Sensor Mounting Bracket	1	WD608-58
12.	Sensor Mounting Flat	1	WD605-164

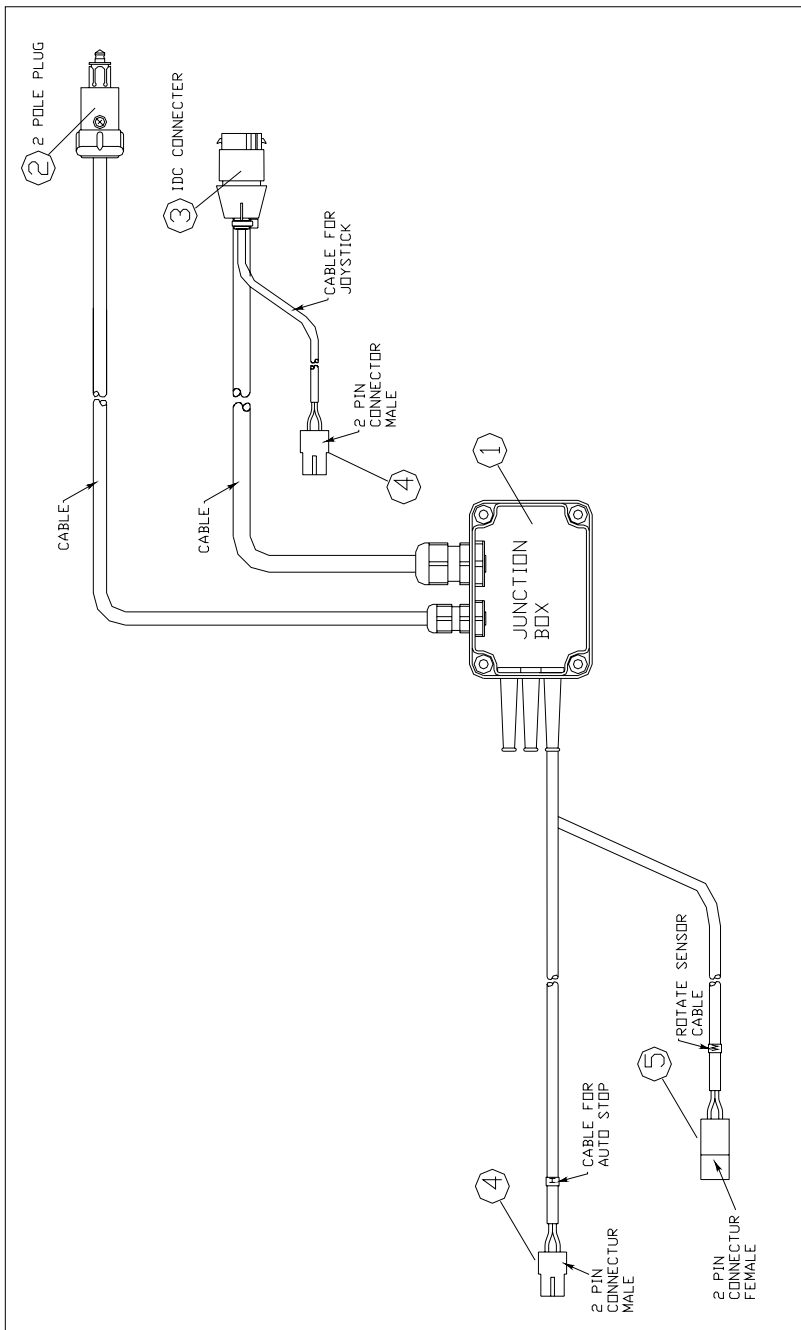


8.2.1 580S / 404 M / S -RDS Bale Wrap Counter



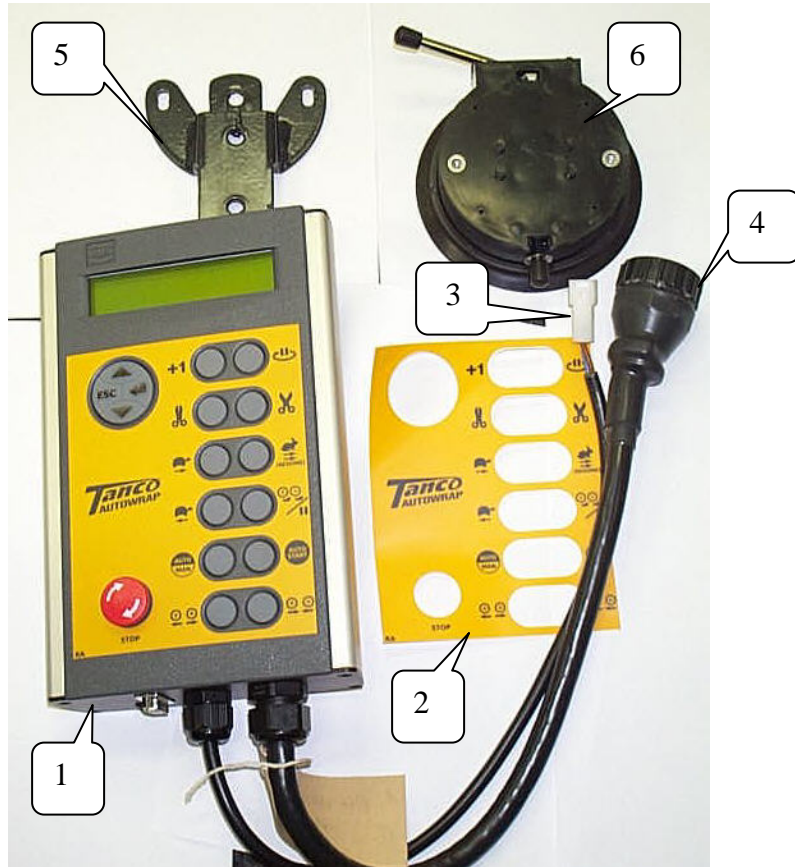
Item	Part No.	Qty.	Description
	1009200		RDS BWC
1	1009201	1	Square MultiPin Male Plug
2	1009202	1	Vertical adjustable bracket
3	1009203	1	Horizontal bracket
4	1009204	3	M 4 Screw
5	1009205	1	Base
6	1009206	1	Plastic Cover

8.2.2 580S/ 404 M/S Junction box



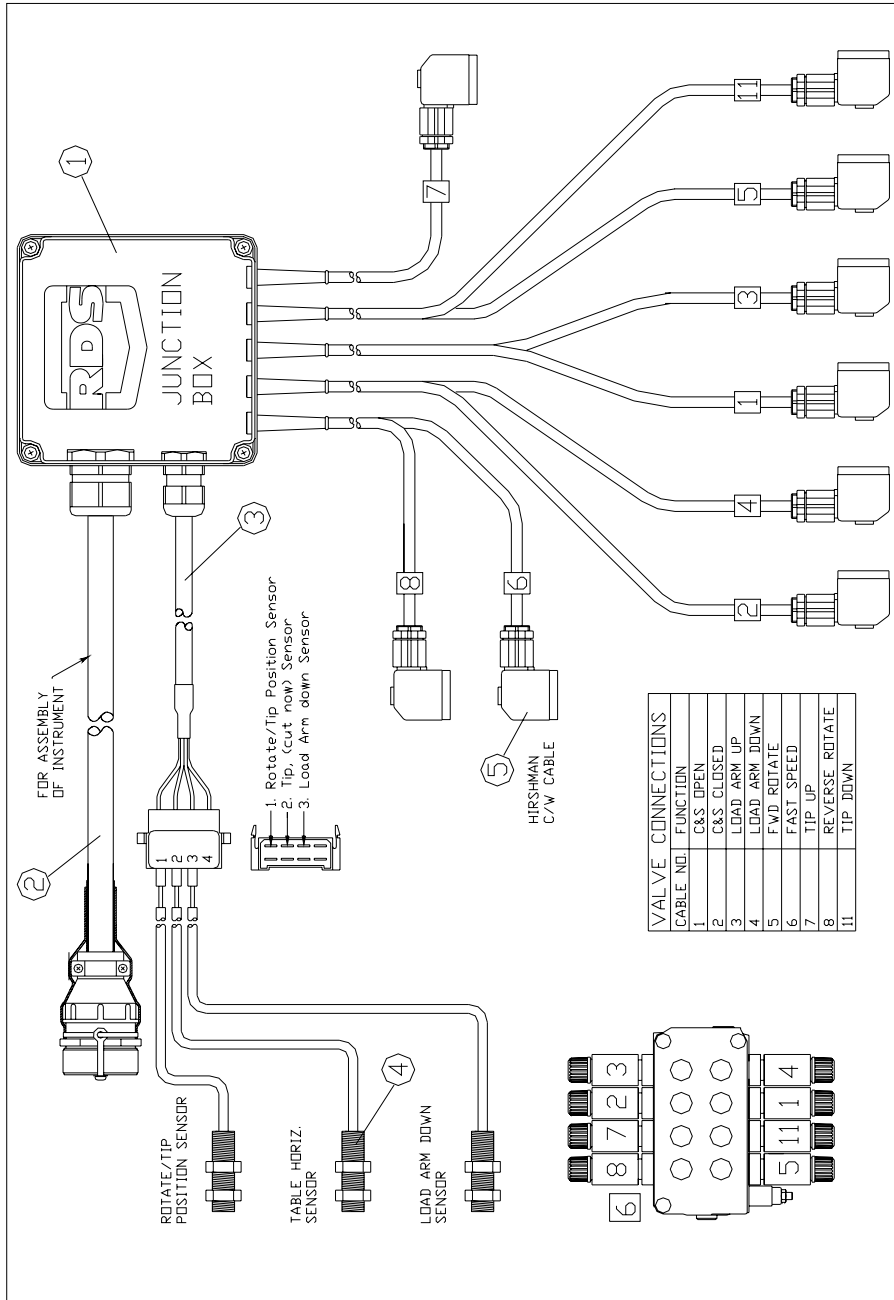
ITEM NO.	QTY.	PART NO.	DESCRIPTION
1	1	1009207	Junction Box Complete
2	1	D606R-PC	Power Connector
3	1	1009209	Connector(Square) Socket
4	2	1309010	2 Pin Connector Male
5	2	1309009	2 Pin Connector Female

8.3.1 580A /404EH Controller



ITEM	PART NO.	QUANTITY	DESCRIPTION
1	1209002	1	TW Control Unit
2	1209001		TW Faceplate RDS
3	1309009	1	2 pin connector Female + 2 spade pins
4	1309008	1	24 pin socket
5	1309009	1	Controller mounting bracket EH
6	1309012	1	Controller suction cup
	1309007		Battery Cable (3m)
	1309010		2 pin connector male + 2 female pins

580A / 404EH JUNCTION BOX



ITEM NO.	QTY.	PART NO.	DESCRIPTION
1	1	1009001	Junction Box Complete
2	1	1309003	Communication Cable
3	1	1009003	Sensor Cable
4	3	1009002	Sensor (3m)
5	9	1309005	Hirschmann, c/w Cable & gland