



## SPARE PARTS LIST

We recommend that when you need spare parts, you should use only original parts.

When ordering spare Parts use the following:

- Drawings are marked with a position number.
- On the accompanying table you will find the position number, its equivalent part number and description. The entire part number and description must always be relayed on ordering.
- **IMPORTANT!**  
When ordering always give the serial number on the wrapping machine and specify the Model of Machine.
- We ask that you fax your parts order to your Tanco dealer, to ensure quick delivery



Tanco Autowrap 404 Mini wrap  
Spare Parts book



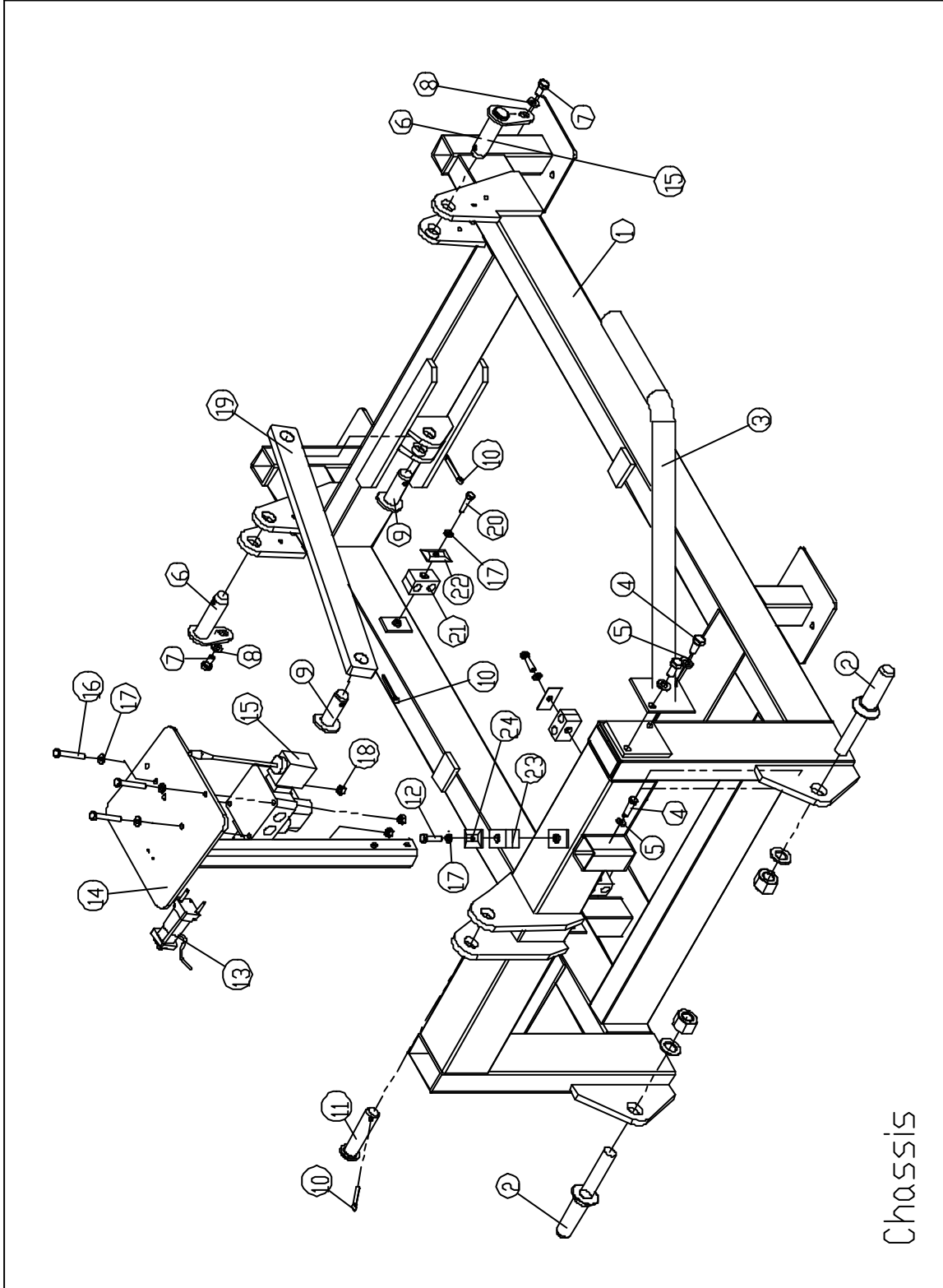
## TABLE OF CONTENTS

	<u>Page:</u>
<b>1. Chassis 404</b>	
<b>1.1. Chassis 404S</b>	
1.1.1. Exploded View	3
1.1.2. Part List	4
<b>1.2. Chassis 404M</b>	
1.2.1. Exploded View	5
1.2.2. Part List	6
<b>1.3. Chassis 404EH</b>	
1.3.1. Exploded View	7
1.3.2. Part List	8
<b>2. Loading Arm 404EH</b>	
<b>2.1. Exploded View</b>	9
<b>2.2. Part List</b>	10
<b>3. Tipping Frame</b>	
<b>3.1. Exploded View</b>	11
<b>3.2. Part List</b>	12
<b>4. Turn Table</b>	
<b>4.1. Exploded View</b>	14
<b>4.2. Part List</b>	15
<b>5. Rocking Roller</b>	
<b>5.1. Exploded View</b>	16
<b>5.2. Part List</b>	17
<b>6. Cut &amp; Start</b>	
<b>6.1. Exploded View</b>	18
<b>6.2. Part List</b>	19
<b>7. Hydraulic Valve</b>	
<b>7.1. 404S</b>	20
<b>7.2. 404M</b>	21
<b>7.3. 404EH</b>	22
<b>8. Electronics</b>	
<b>8.1. 404S/M</b>	23
<b>8.2. 404EH</b>	24

# 1. Chassis 404S

## 1.1. Chassis 404S

### 1.1.1. Exploded View



Chassis

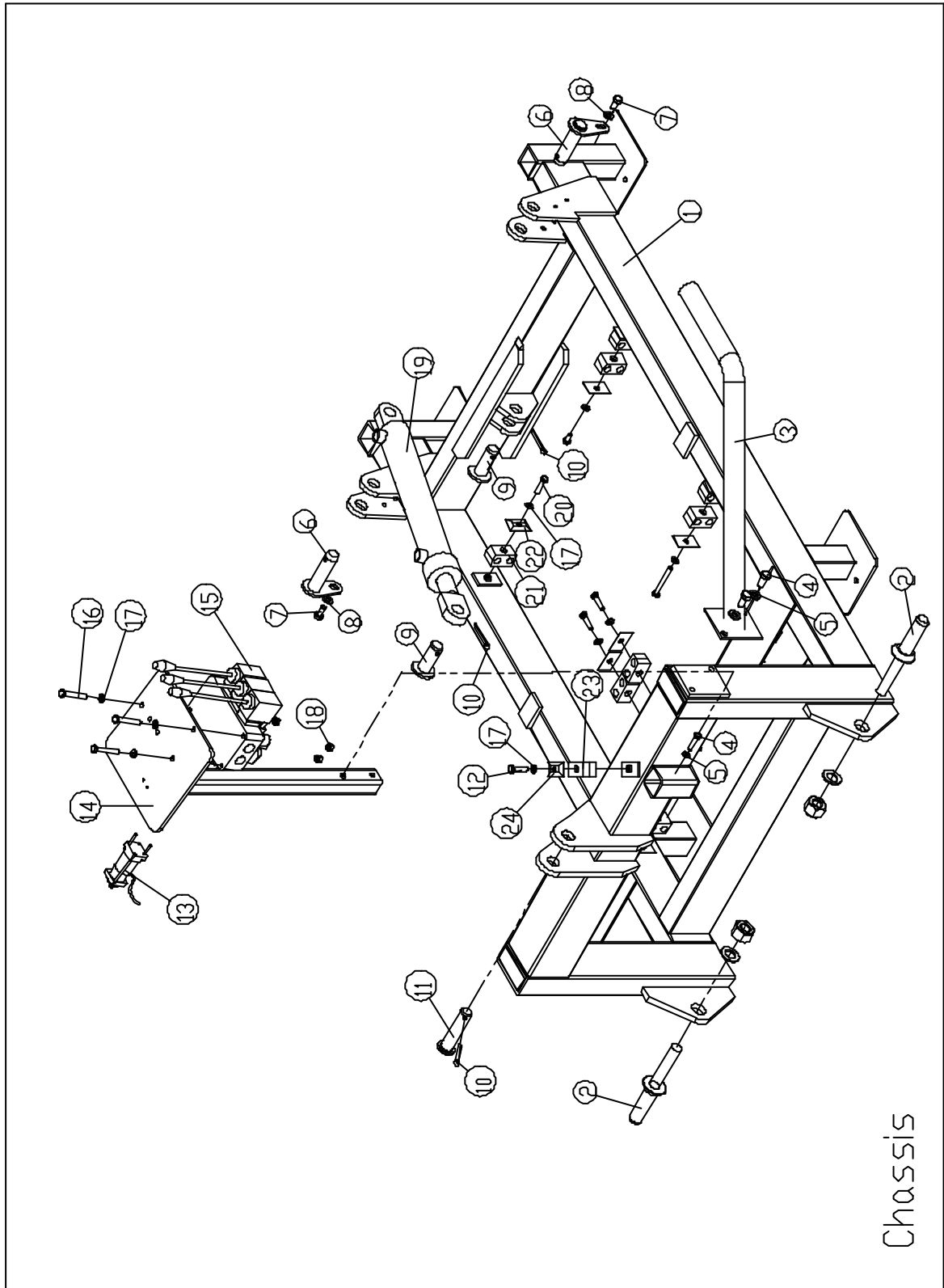


**1.1.2. Part List**

ITEM NO.	QTY.	PART NO.	DESCRIPTION
1	1	34611474	Main Frame
2	2	34105716	Bolt (KAT 1-2) (c/w Nut and spring Washer)
3	1	34851264	Safety Arm
4	2	9004532	Bolt (M12 x 16)
5	2	34302123	Washer (M12)
6	2	1001201	Pivot Pin
7	2	34119057	Bolt (M10 x 16)
8	2	34302122	Washer (M10)
9	2	1001202	Tipping Cylinder Pin
10	3	34200201	7/66" Lynch Pin
11	1	34105635	Top Link Pin
12	1	Z26-0425	Bolt (M8 x 40)
13	1	1008002	Auto Stop Kit
14	1	34670169	Valve Chest Frame
15	1	1008001	Valve Chest
16	3	34110113	Bolt (M8 x 60)
17	7	34302121	Washer (M8)
18	3	34230500	Nut, lock (M8)
19	1	1001210	locking Stay 404S
20	5	34110001	Bolt (M8 x 35)
21	5	3426010	Plastic Pipe Clamp
22	5	34260167	Pipe Clamp Top
23	1	34260209	1/2" Pipe Clamp
24	1	34260117	1/2" pipe Clamp Top

## 1.2. Chassis 404M

### 1.2.1. Exploded View



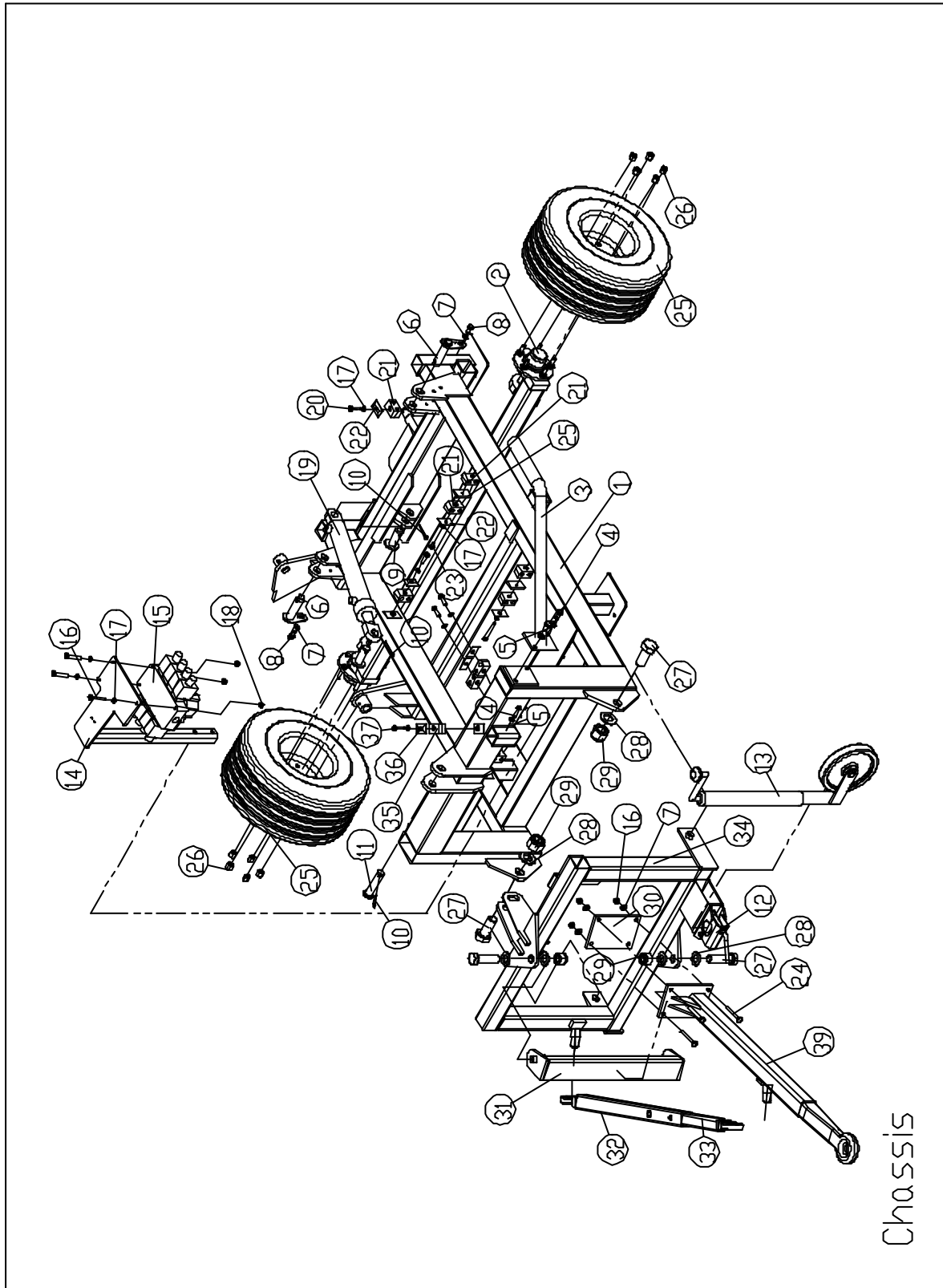


**1.2.2. Part List**

ITEM NO.	QTY.	PART NO.	DESCRIPTION
1	1	34611474	Main Frame
2	2	34105716	Bolt (KAT 1-2) (c/w nut a spring washer)
3	1	34851264	Safety Arm
4	2	9004532	Bolt (M12 x 16)
5	2	34302123	Washer (M12)
6	2	10012021	Pivot Pin
7	2	34119057	Bolt (M10 x 16)
8	2	34302106	Washer (M6)
9	2	1001202	Tipping Cylinder Pin 404
10	3	34200210	7/16" Lynch Pin
11	1	34105635	Top Link Pin (24 x 100 x 6,3)
12	1	Z26-0425	Bolt (M8 x 40)
13	1	1008002	Auto Stop Kit
14	1	34670169	Valve Chest Frame
15	1	1008400	Valve Chest
16	3	34110113	Bolt (M8 x 60)
17	9	34302121	Washer (M8)
18	3	34230500	Nut, lock (M8)
19	1	34001131	Cylinder
20	6	34110001	Bolt (M8 x 35)
21	10	34260910	Plastic Pipe Clamp
22	10	34260167	Pipe Clamp Top
23	1	34260209	Plastic Pipe Clamp (1/2")
24	1	34260117	Pipe Clamp Top (1/2")

## 1.3. Chassis 404EH

### 1.3.1. Exploded View





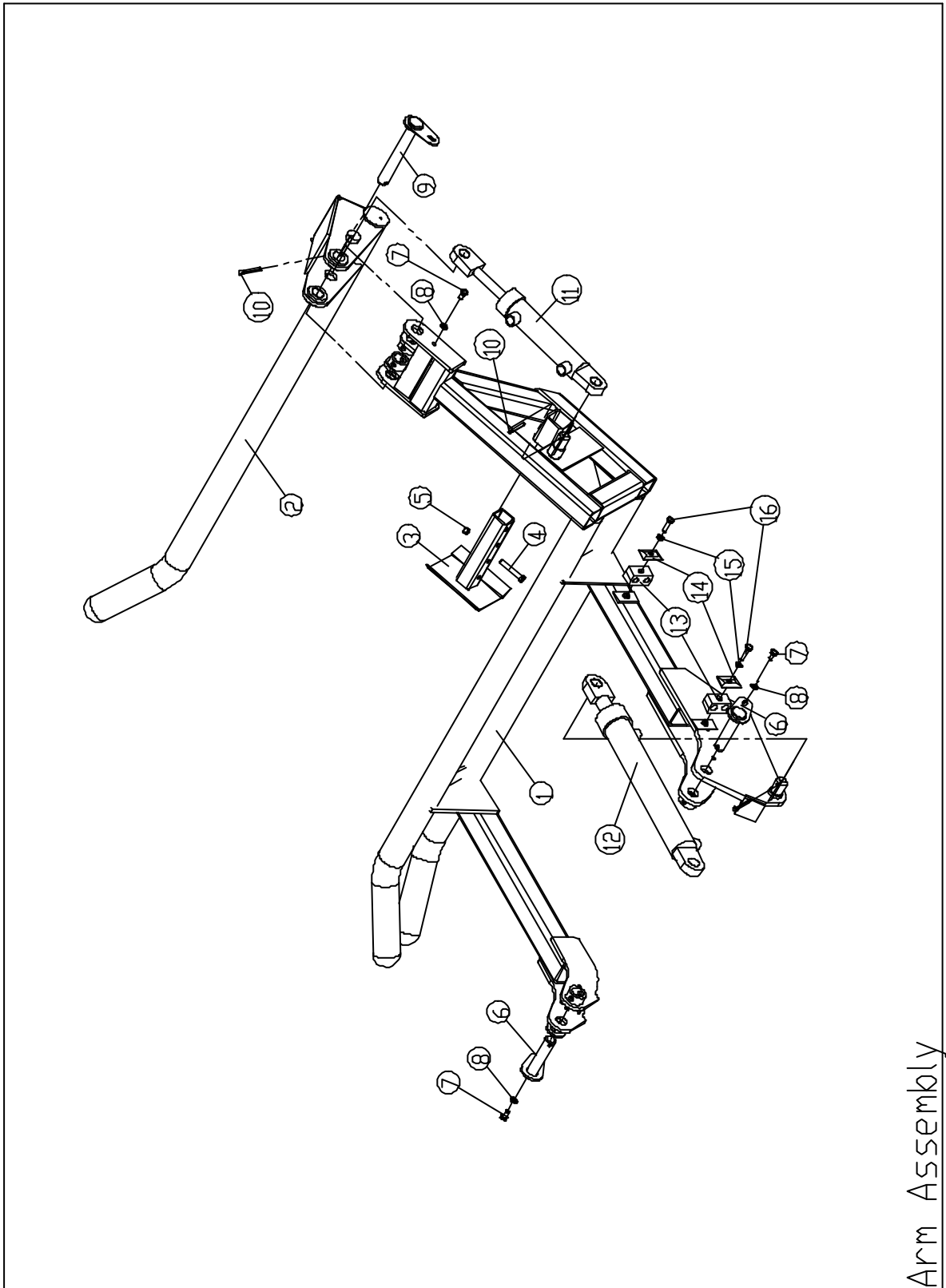


### 1.3.2. EH Chassis Parts Lists

ITEM NO.	QTY.	PART NO.	DESCRIPTION
1	1	34611474	Main Frame
2	2	34710128	Axle
3	1	34851264	Safety Arm
4	2	9004532	Bolt (M12 x 16)
5	2	34302123	Washer (M12)
6	2	1001201	Pivot Pin 404
7	2	34119057	Bolt (M10 x 16)
8	4	34302122	Washer (M10)
9	2	1001202	Tip Cylinder Pin
10	3	1305033	Split Pin (6,3 x 50)
11	1	34105635	Celvis Pin (24 x 100 x 6,3)
12	1	34670185	Jack Clamp
13	1	34670184	Jack
14	1	34670169	Valve Chest Frame
15	1	1008600	Valve Chest
16	4	34230900	Nut (M10)
17	12	34302121	Washer (M8)
18	3	34230500	Nut, lock (M8)
19	1	34001131	Cylinder, tip
20	5	Z34110001	Bolt (M8 x 35) - Z26 - 042S
21	9	34260110	Plastic Pipe Clamp
22	9	34260167	Pipe Clamp, top
23	5	34110005	Bolt (M8 x 65)
24	4	34110019	Bolt (M10 x 80)
25	2	34710127	Tyres, c/w hub.
26	10	34611508	404 Wheel Nut
27	2	34115000	Bolt (M24 x 60)
28	4	34302127	Washer (M24)
29	2	34233800	Nut (M24)
30	1	21906283	Clamping Plate
31	1	34611506	Swivel Bar
32	1	34611509	Stay Outer
33	1	34611504	Stay Inner
34	1	34611505	3.P.L. Adapter
35	1	34260209	Plastic Pipe Clamp (1/2")
36	1	34260117	Pipe Clamp Top (1/2")
37	1	Z26-0425	Bolt (M8 x 40)

## 2. Loading arm 404EH

### 2.1. Exploded View



Arm Assembly

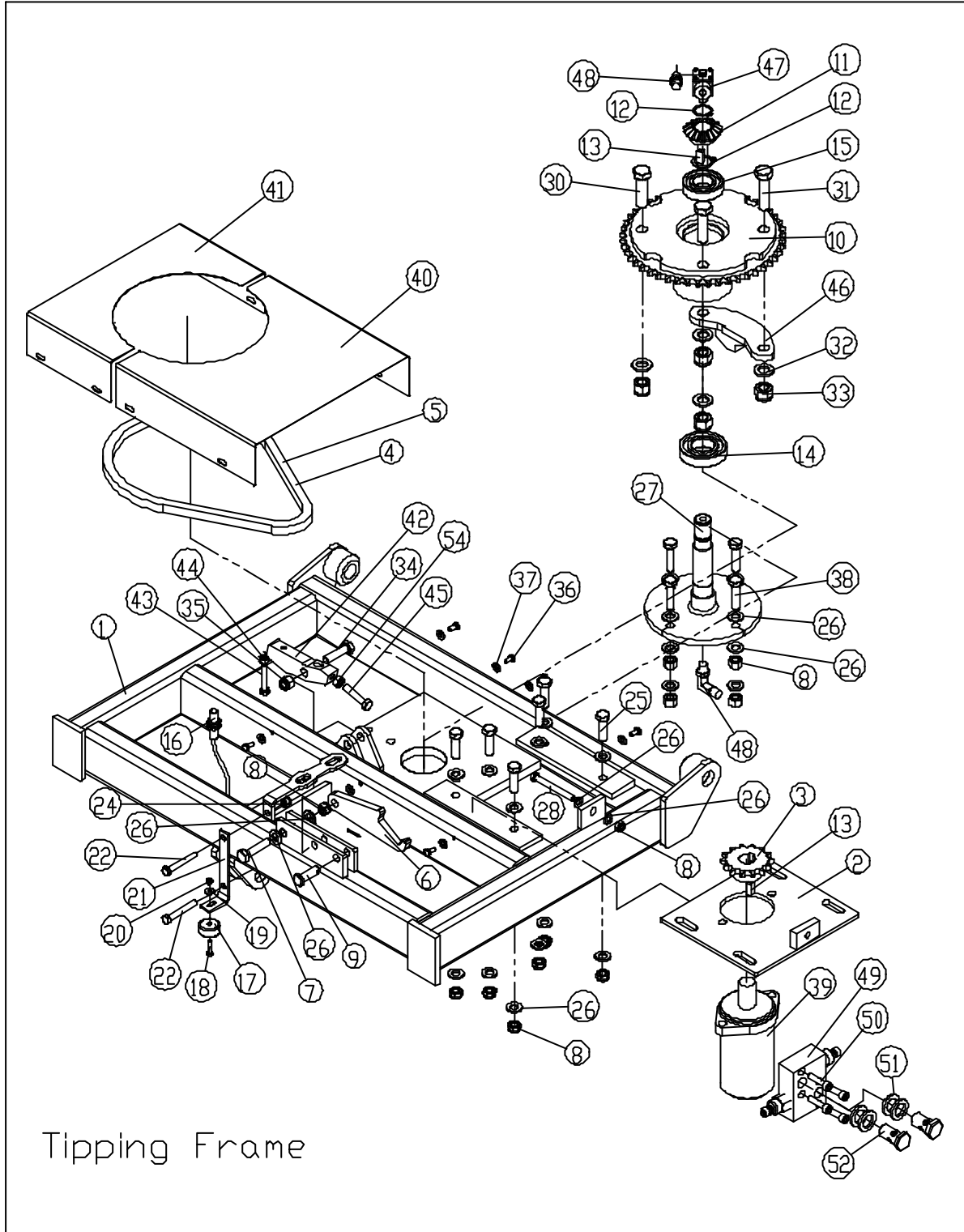


## 2.2. Loading arm Parts List

ITEM NO.	QTY.	PART NO.	DESCRIPTION
1	1	34611499	Loading Arm
2	1	34611498	Squeeze Arm
3	1	34611500	Bale stop
4	1	34110100	Bolt (M8 x 60)
5	1	34230400	Nut (M8)
6	2	1001201	Pivot Pin 404
7	3	34119057	Bolt (M10 x 16)
8	3	34302122	Washer (M10)
9	1	34001102	Pin Squeeze Arm
10	2	1305033	Split Pin (6,3 x 50)
11	1	34001102	Cylinder Squeeze Arm
12	1	3401449	Cylinder Loading Arm
13	2	34260110	Plastic Pipe Clamp
14	2	34260167	pipe Clamp Top
15	2	34302121	Washer (M8)
16	2	34112700	Bolt (M8 x 30)

### 3. Tipping Frame

#### 3.1. Exploded View





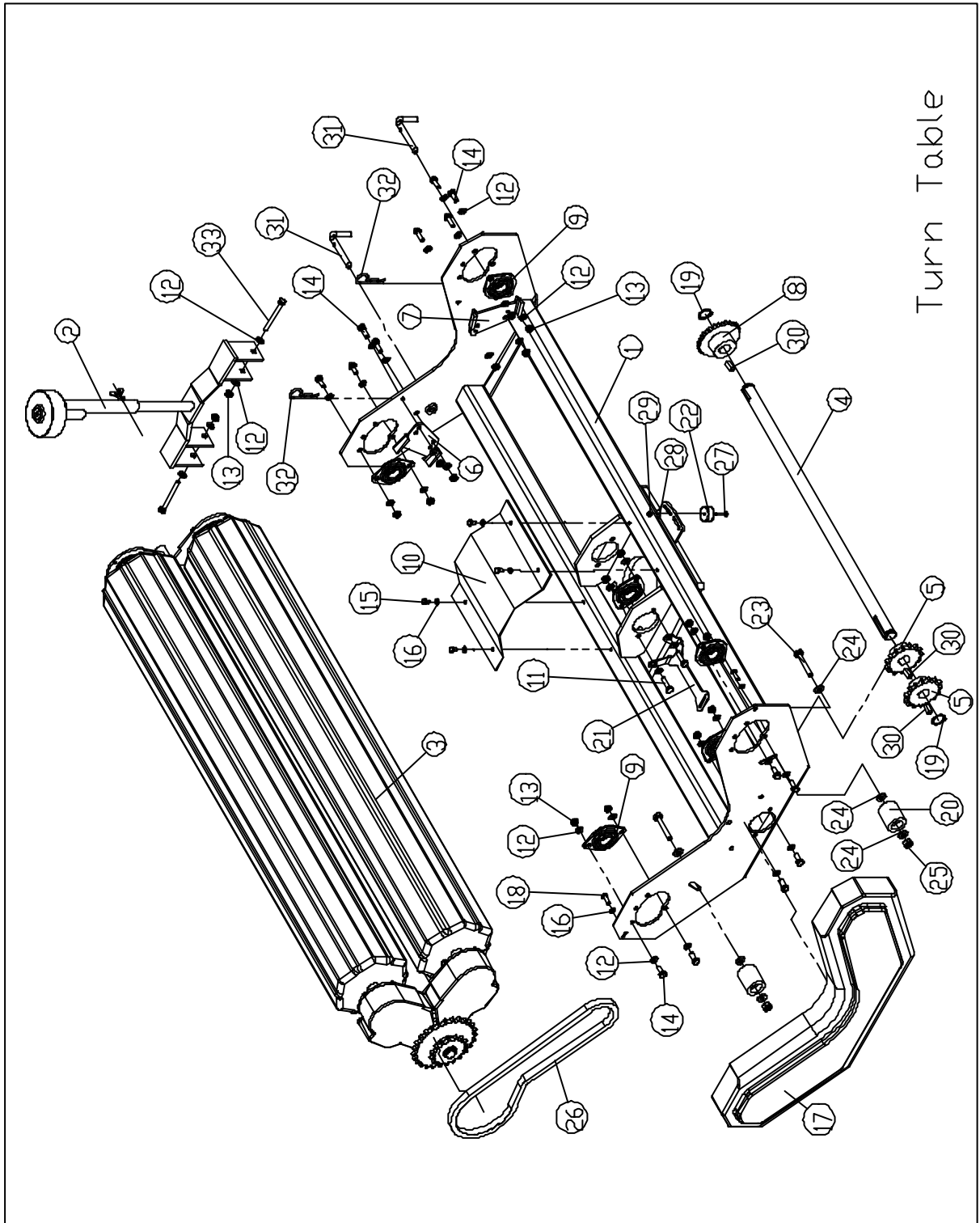
### 3.2. Tipping Frame Parts List

ITEM NO.	QTY.	PART NO.	DESCRIPTION
1	1	34611522	Tip Frame
2	1	3467164	Motor mounting plate
3	1	34810802	Chain Wheel (5/8" 14t dia 25)
4	1	34810304	Chain Lock (5/8")
5	1	34811247	Chain (5/8" 57 LED 920)
6	1	34491072	Transport Lock
7	1	3411027	Bolt (M12 x 50)
8	13	34231300	Nut, lock (M12)
9	1	34190001	Lynch Pin (9,5mm)
10	1	34710124	Centre Sprocket (5/8" 48t)
11	1	34830113	pinion Drive (2:1 M3)
12	2	34240708	Locking Ring (A30)
13	2	1003007	Key (8 x 8 x 23)
14	1	34320509	Track ball bearing (6207 2RS)
15	1	34320508	Track ball bearing (6206 2RS)
16	1	1009001	Sensor RDS
*16a	1	1009001	Sensor RDS
*17	1	1309201	Magnet
*18	1	9004151	Bolt (M5 x 25)
*19	1	9003002	Washer (M5)
*20	1	9001002	Nut (M5)
*21	1	1002101	Table down Magnet Mount
*22	2	9004311	Screw (M8 x 65)
*23	2	34230500	Nut (M8)
24	1	3422030900	Nut (M10)
25	6	34115800	Bolt (M12 x 40)
26	18	34302123	Washer (M12)
27	1	34130262	Turntable Spindle
28	1	34119000	Bolt (M10 x 70)
29	1	34061953	Albow 90deg adjustable
30	2	34118800	Bolt (M16 x 55)
31	2	34118400	Bolt (M16 x 70)
32	8	34302125	Washer (M16)
33	4	34232100	Nut, lock (M16)
34	1	34110078	Bolt (M14 x 60)
35	1	34231700	Nut, lock (M14)
36	8	34110092	Bolt (M6 x 12)
37	8	34302120	Washer (M6)
38	4	34110500	Bolt (M12 x 45)
39	1	34090124	Hydraulic Motor (160cm <sup>3</sup> .)
40	1	34851261	Cover Motor
41	1	34851258	Cover middle
42	1	34380529	Wedge
43	1	34110002	Bolt (M8 x 40)
44	1	34230500	Nut (M8)
45	1	9004408	Bolt (M10 x 45)
46	1	34670166	Turntable Stop
47	1	34770031	Hydr. Swivel - Rotary Coupling
48	1	34061803	Fitting (1/4" - 1/4")
49	1	34083900	Valve Block (VA-E06/E-2-FS, kpl. 99 - )
50	4	34119077	Bolt Socket Head (M8 x 35)
51	4	34041800	1/2" Dowty Washer
52	2	34061936	Fitting (1/2" BSP)

\* - Indicates EH component only

## 4. Turn Table

### 4.1. Exploded View



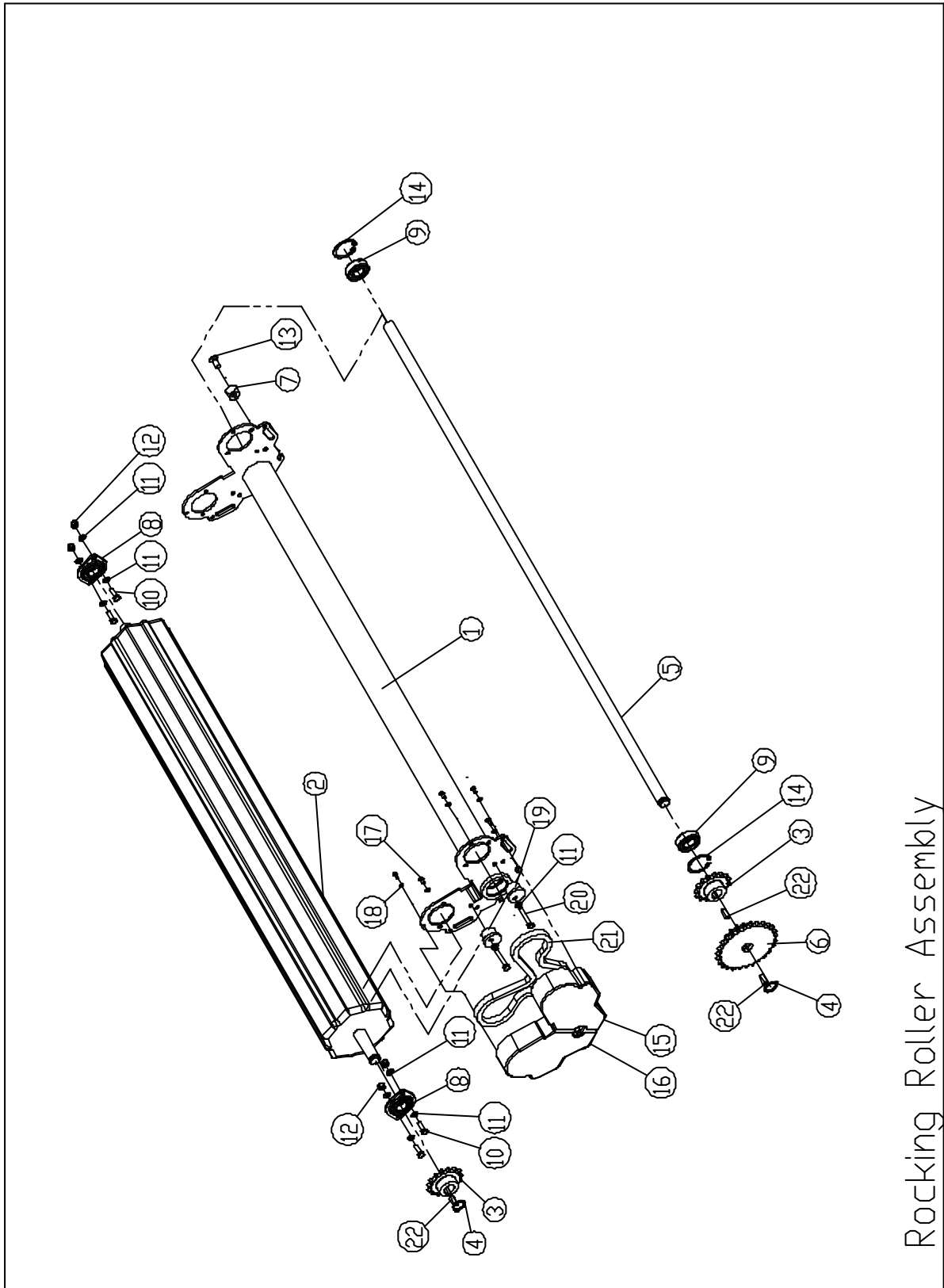


#### 4.2. Turntable Parts List

ITEM NO.	QTY.	PART NO.	DESCRIPTION
1	1	34611477	Turntable frame
2	2	34340137	Support roller complete
3	2		Rocking Rollers Complete
4	1	34130254	Shaft
5	2	34810040	Sprocket - 1/2" - 15t
6	1	34702515	Limit stop plate, right
7	1	34702516	Limit stop plate, left
8	1	34710124	Bevel gear
9	6	34321243	Bearing Complete
10	1	34851262	Cover, center wheel
11	4	34112700	Bolt (M 8 x 30)
12	92	34302121	Washer (M 8)
13	46	34230500	Nut, lock (M 8)
14	26	34116900	Bolt (M 8 x 20)
15	12	34110092	Bolt (M6 x 10)
16	10	34302120	Washer (M6)
17	1	1003004	Large plastic cover 404
18	2	9004215	Bolt (M6 x 20)
19	2	1305017	Circlip (25 x 1,2)
20	2	34810848	Chain Tensioner
21	1	1003005	Load Posn. Magnet mount
22	2	1309201	Magnet
23	2	34110018	Bolt (M10 x 60)
24	6	34302122	Washer (M10)
25	2	342030900	Nut, lock (M10)
26	2	34811244	Chain (1/2" 55 LED 698,5)
27	2	9004151	Bolt (M5 x 25)
28	2	9003002	Washer (M5)
29	2	9001002	Nut (M5)
30	3	1003007	Key (8 x 8 x 23)
31	2	34105747	Bissel Pin
32	2	34200202	R-Clip (4,5mm)
33	2	34110007	Bolt (M8 x 80)

## 5. Rocking Roller assembly

### 5.1. Exploded View



Rocking Roller Assembly



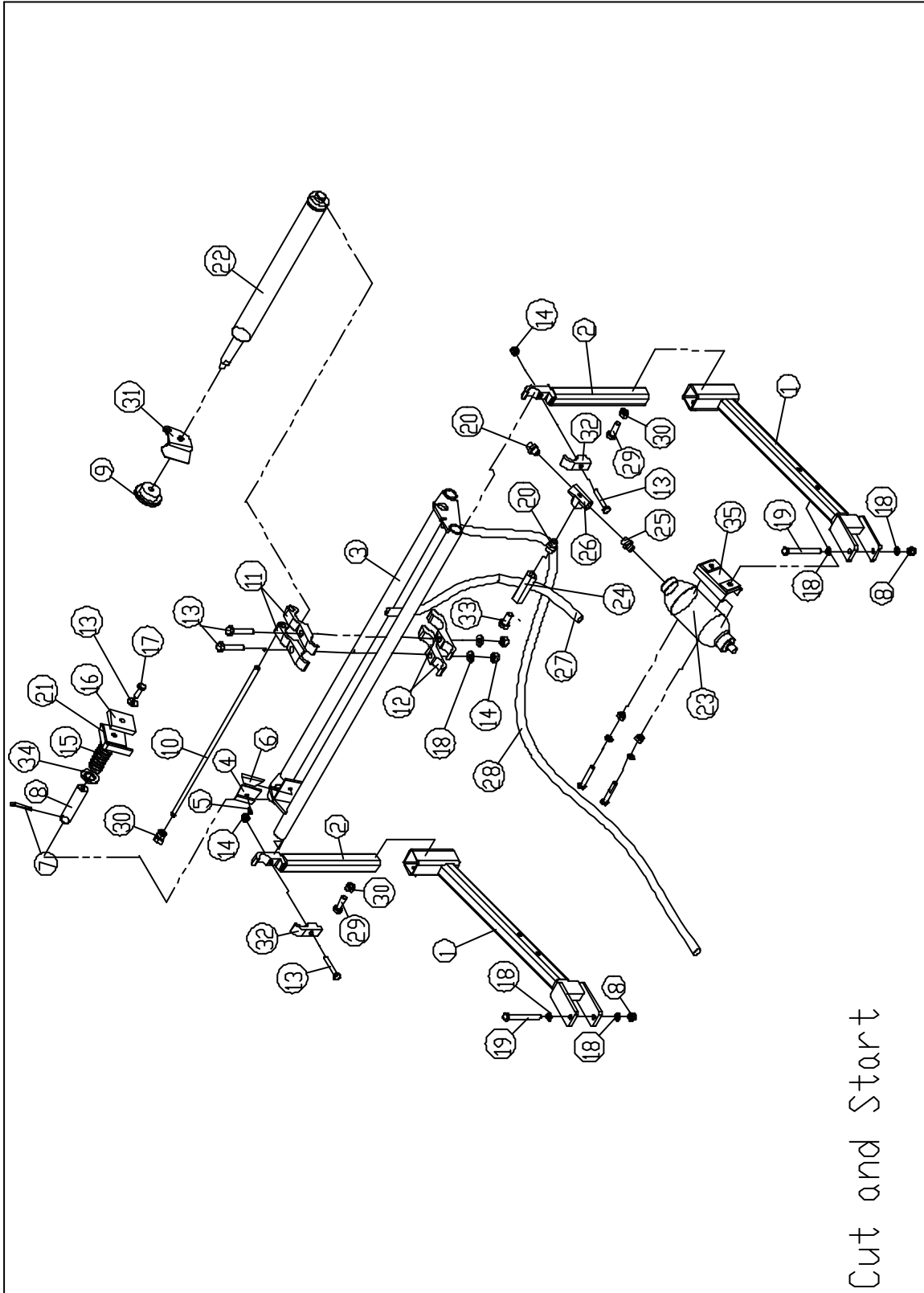


## 5.2. Parts List

ITEM NO.	QTY.	PART NO.	DESCRIPTION
1	2	34611476	Roller Frame
2	4	1003001	Plastic Roller 404
3	8	34810040	Sprocket - 1/2" - 15t
4	6	1305017	Circlip (25 x 1,2)
5	2	34130255	Support Shaft
6	2	34810045	Sprocket - 1/2" 19t
6a*	2	34810041	Sprocket - 1/2" - 27t/15t
7	2	34702514	Limit Stop Block
8	8	34321243	Bearing complete
9	4	34321243	Bearing
10	26	34116900	Bolt (M8 x 20)
11	92	34302121	Washer (M8)
12	46	34230500	Nut, lock (M8)
13	2	34110003	Bolt (M8 x 45)
14	4	34240728	Circlip Inside (I52)
15	2	1003002	Small Plastic Cover RHS
16	2	1003003	Small Plastic Cover LHS
17	12	9004215	Bolt (M6 x 20)
18	12	34302120	Washer (M6)
19	4	34810847	Chain Tensioner
20	4	9004308	Bolt (M8 x 50)
21	2	34811245	Chain (1/2" 61 LED 774,7)
22	6	1003007	Key (8 x 8 x 23)
*optional			

## 6. Cut & Start

### 6.1. Exploded View





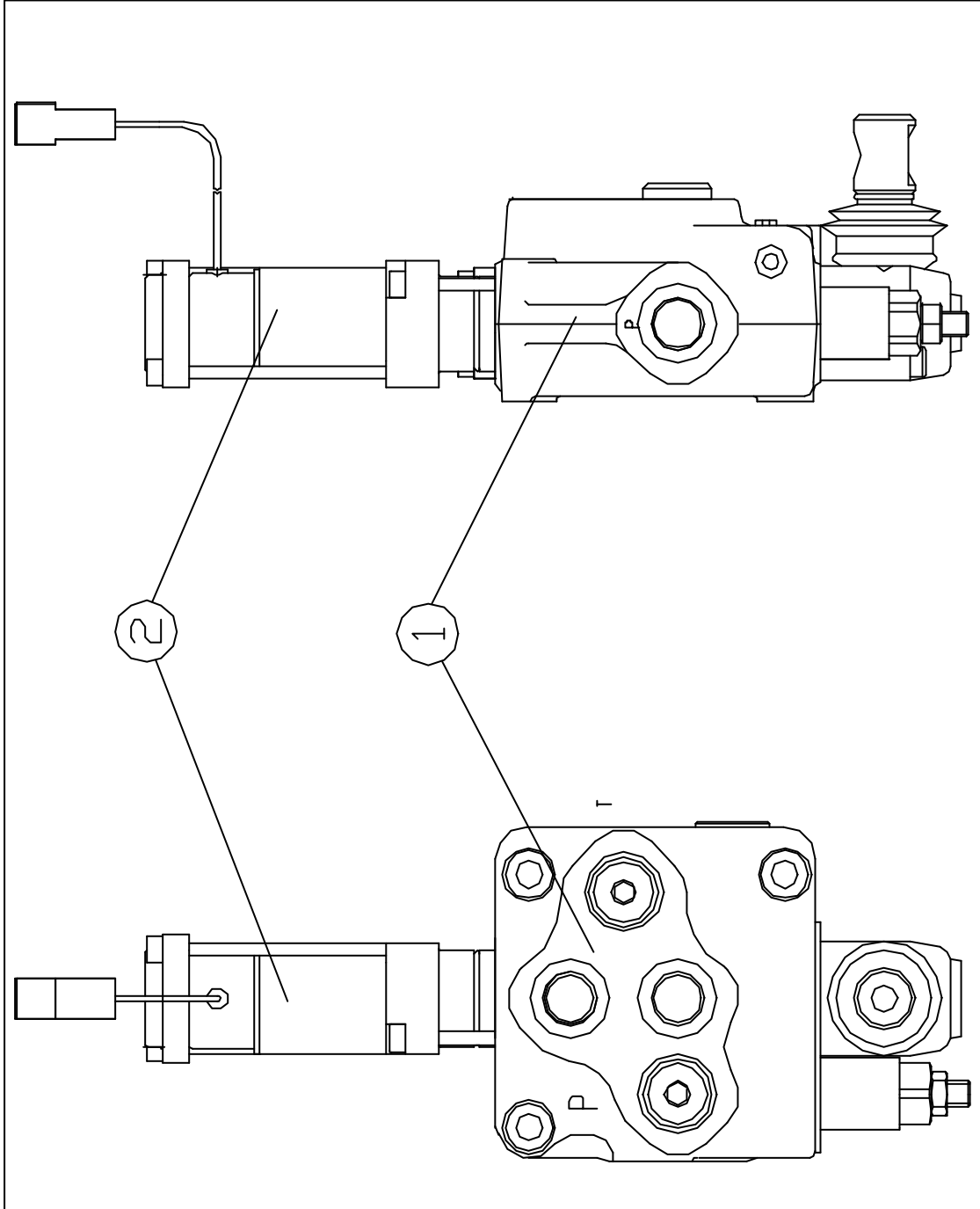
## 6.2. Part List

ITEM NO.	QTY.	PART NO.	DESCRIPTION
	1	35100327	Cut & Start complete
1	2	34920614	Knife Holder
2	2	34920615	Grip Span Stay
3	1	34920616	Cutter Frame
4	1	34260126	Blade Clamp
5	1	34119074	Bolt (M5 x 20)
6	1	34911038	Cutter Blade
7	1	34220701	Split Pin (5 x 32)
8	1	34131192	Shaft f / Bolster
9	1	34380527	Pressure Bolster
10	1	34851266	Round
11	2	34260127	Clamp
12	2	34260129	Clamp
13	4	34110100	Bolt (M8 x 6)
14	8	34230500	Nut, lock (M8)
15	1	34431534	Pressure Spring
16	1	34420004	Rubber Strip
17	3	34110000	Bolt (M8 x 25)
18	13	34302121	Washer (M8)
19	2	34110200	Bolt (M8 x 75)
20	2	34061803	Fitting (1/4" - 1/4")
21	1	3426128	Buffer
22	1	34001484	Cylinder 2000 -> BS34001484
23	1	3461963	Accumulator TY.1200
24	1	34085100	Non-Return-Valve (1/4" innv.)
25	1	34061964	Fitting (M18 x 1.5 - 1/4")
26	1	34061965	T - Piece (1/4" - 1/4" - 1/4")
27	1	34051834	Hose (1/4" x 460)
28	1	34057035	Hose (1/4" x 1600)
29	2	34110025	Bolt (M12 x 25)
30	4	9002061	Nut (M12)
31	1	34851267	Holder
32	2	34260130	Knife Clamp, loose
33	1	Z01-06-MB04	Plug (1/4" Male)
34	1	9003205	Washer (M20)
35	1	1003500	Accumulator Holder



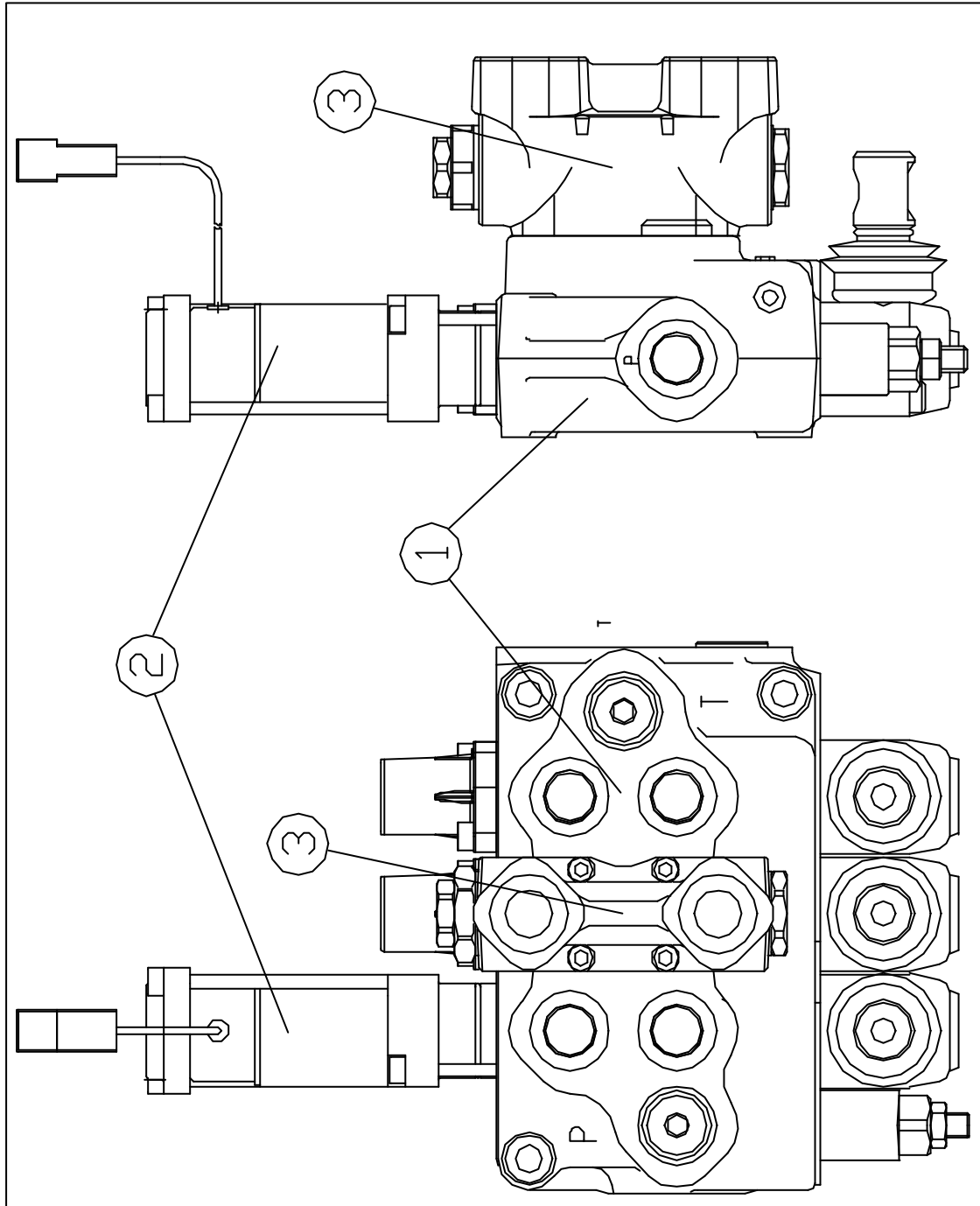
## 7. Hydraulic Valve 404

### 7.1. 404S



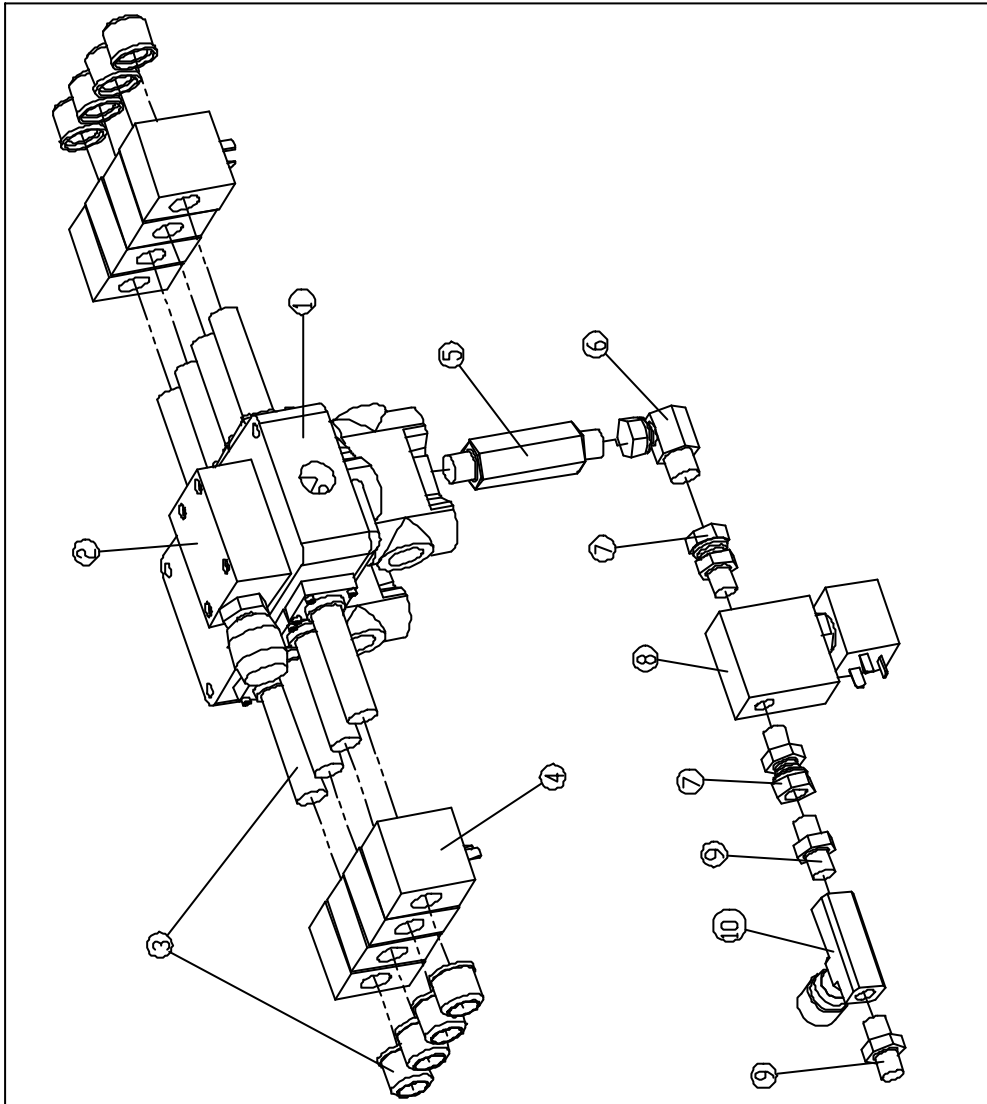
ITEM NO.	QTY.	PART NO.	DESCRIPTION
1	1	1008001	Single Bank 50S Valve compl.
2	1	1008002	Autostop Kit

7.2. 404M



ITEM NO.	QTY.	PART NO.	DESCRIPTION
1	1	1008400	3 Bank SD 5 valve compl.
2	1	1008401	Check Valve compl.
3	1	1008002	Autostop Kit

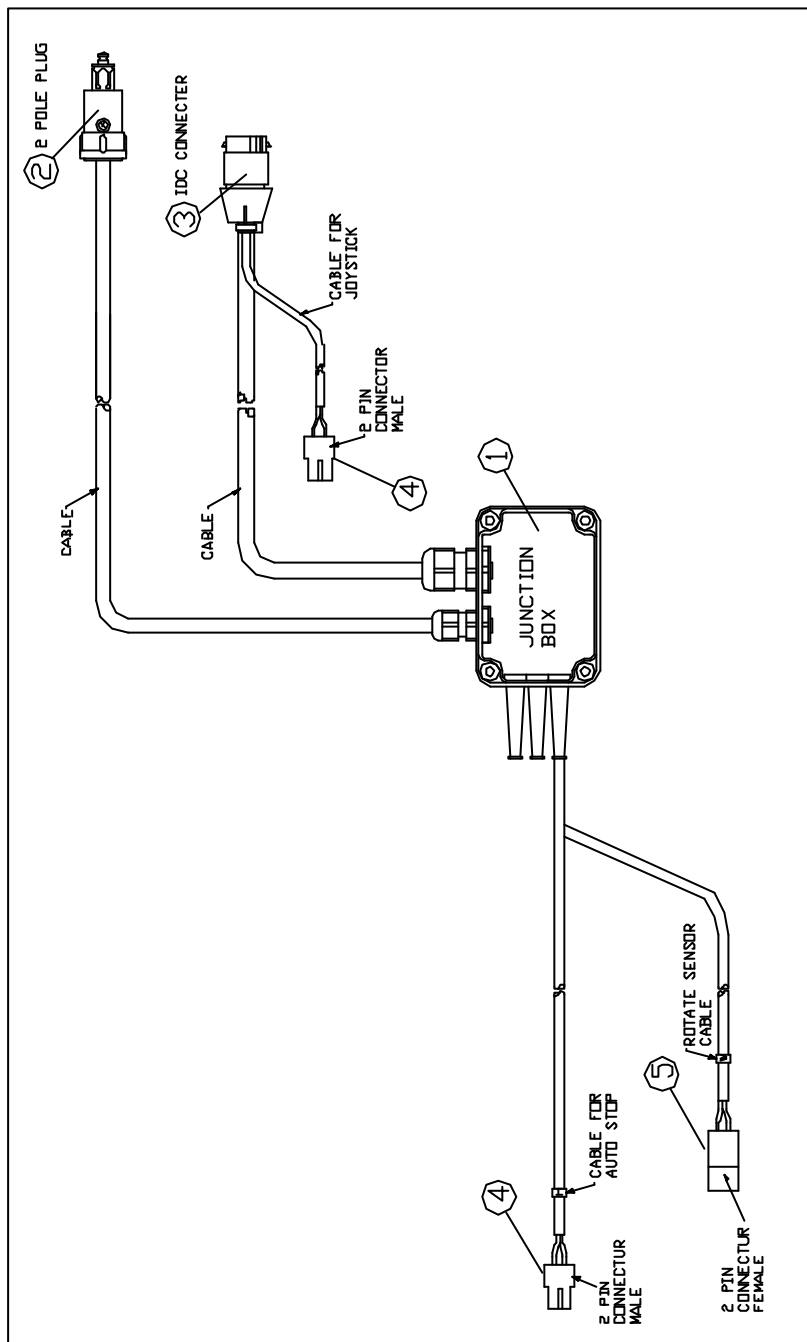
7.3. 404EH



ITEM NO.	QTY.	PART NO.	DESCRIPTION
	1	0103-A404EH	Complete Valve
1	1	0103-A404EH	Valve Body- empty
2	1	Z10-03-AC	Flow regulator Valve
3	8	Z01-03-A404VS	Spool
4	8	Z01-03-A404VC	Coil
5	1	Z01-06-06L	Long body Adapter (3/8" - 3/8" M/M)
6	1	Z01-14015	90deg Elbow (M/F 3/8"- 3/8")
7	1	Z01-05-06-06	Fitting (3/8" - 3/8" M/F)
8	1	34087513	2-Speed Valve
9	2	Z01-06-06-06	Fitting (3/8" - 3/8" M/M)
10	1	Z01-03-1046	Flow control regulator

## 8. Junction box

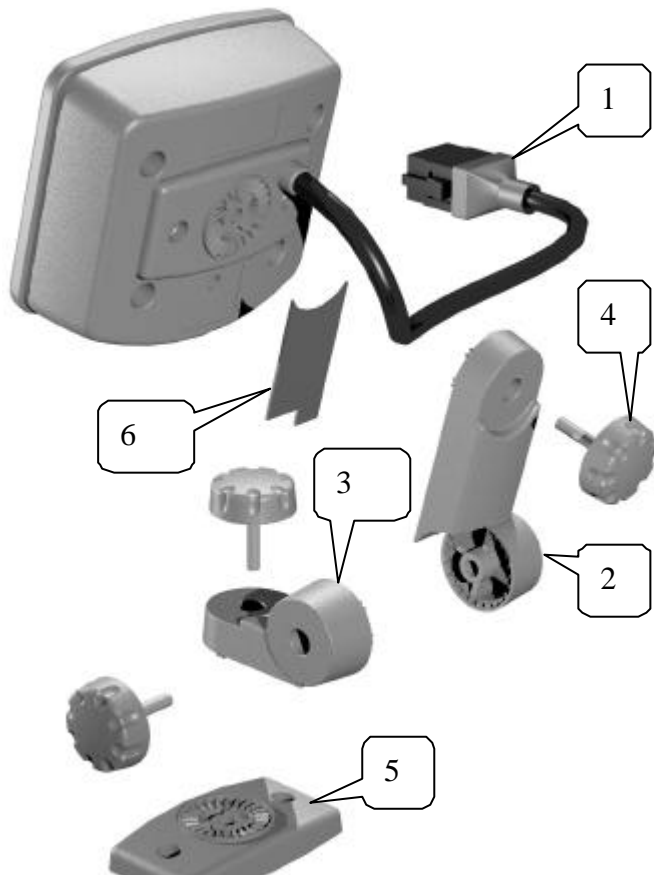
### 8.1. 404S/M



ITEM NO.	QTY.	PART NO.	DESCRIPTION
1	1	1009207	Junction Box Complete
2	1	D606R-PC	Power Connector
3	1	1009209	Connector(Square) Socket
4	2	1309010	2 Pin Connector Male
5	2	1309009	2 Pin Connector Female



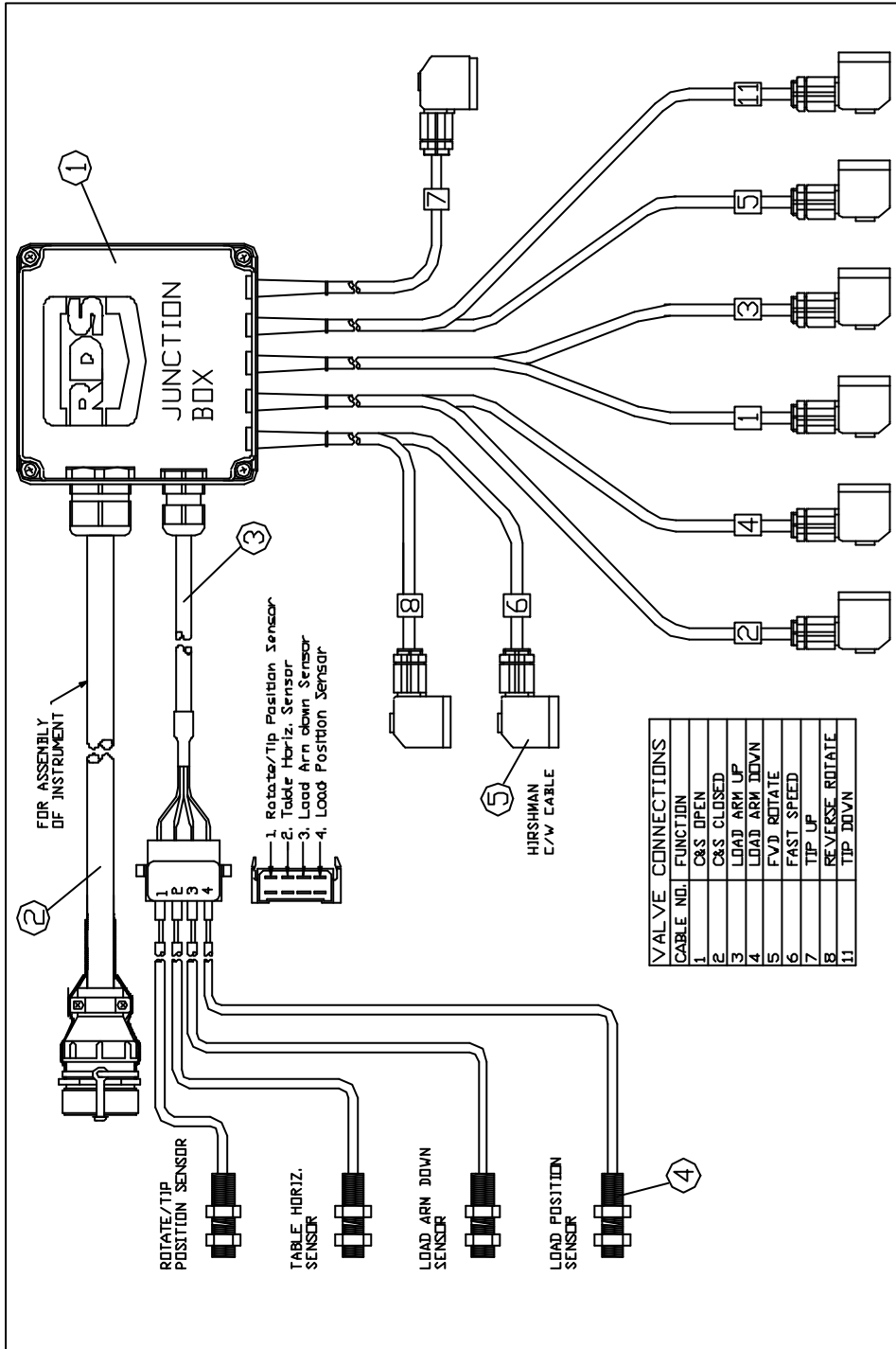
404 M / S -RDS Bale Wrap Counter



Item	Part No.	Qty.	Description
	1009200		RDS BWC
1	1009201	1	Square MultiPin Male Plug
2	1009202	1	Vertical adjustable bracket
3	1009203	1	Horizontal bracket
4	1009204	3	M 4 Screw
5	1009205	1	Base
6	1009206	1	Plastic Cover



8.2. 404EH



ITEM NO.	QTY.	PART NO.	DESCRIPTION
1	1	1009001	Junction Box Complete
2	1	1309003	Communication Cable
3	1	1009003	Sensor Cable (8 core)
4	4	1009002	Sensor (3 m)
5	9	1309005	Hirschmann, c/w Cable, screw & gland

7.2. EH Controller



ITEM	PART NO.	QUANTITY	DESCRIPTION
1	1209002	1	TW Control Unit
2	1209001		TW Faceplate RDS
3	1309009	1	2 pin connector Female + 2 spade pins
4	1309008	1	24 pin socket
5	1309009	1	Controller mounting bracket EH
6	1309012	1	Controller suction cup
	1309007		Battery Cable (3m)
	1309010		2 pin connector male + 2 female pins