

TANCO AUTOWRAP SYSTEMS

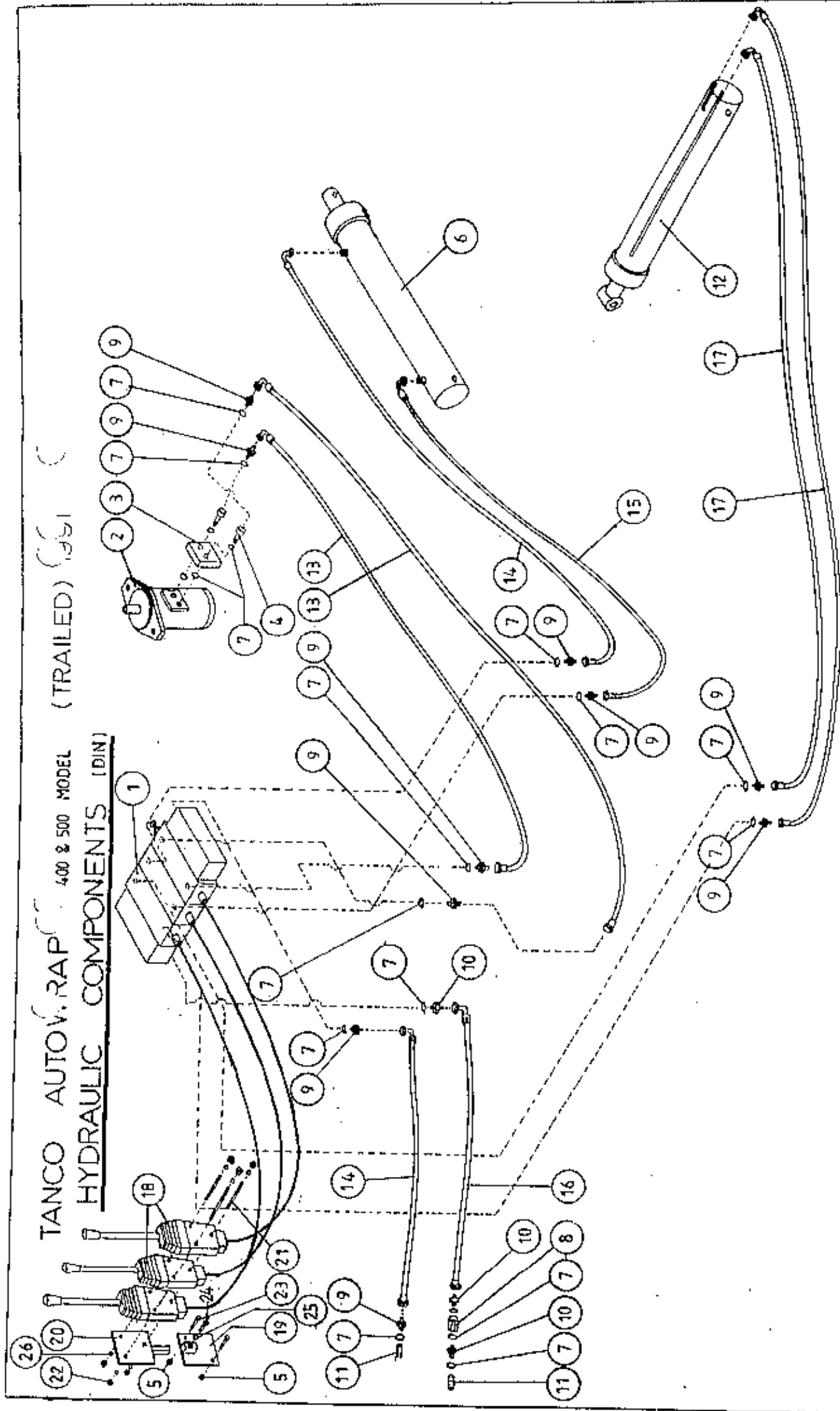
400 & 500 Model (1991)

OPERATORS HANDBOOK

AND

PARTS LIST

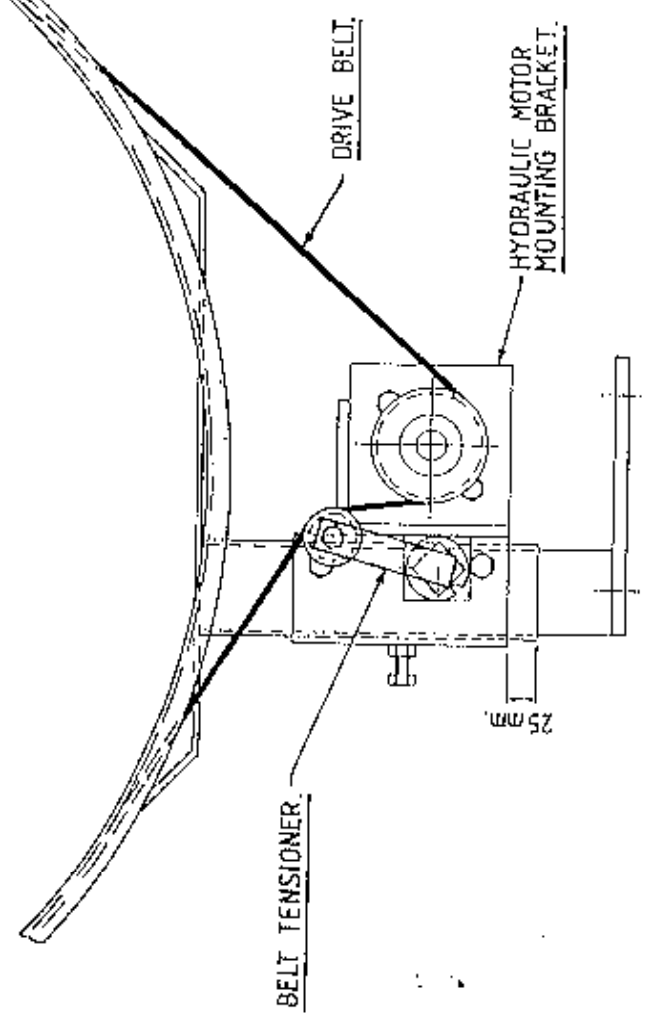
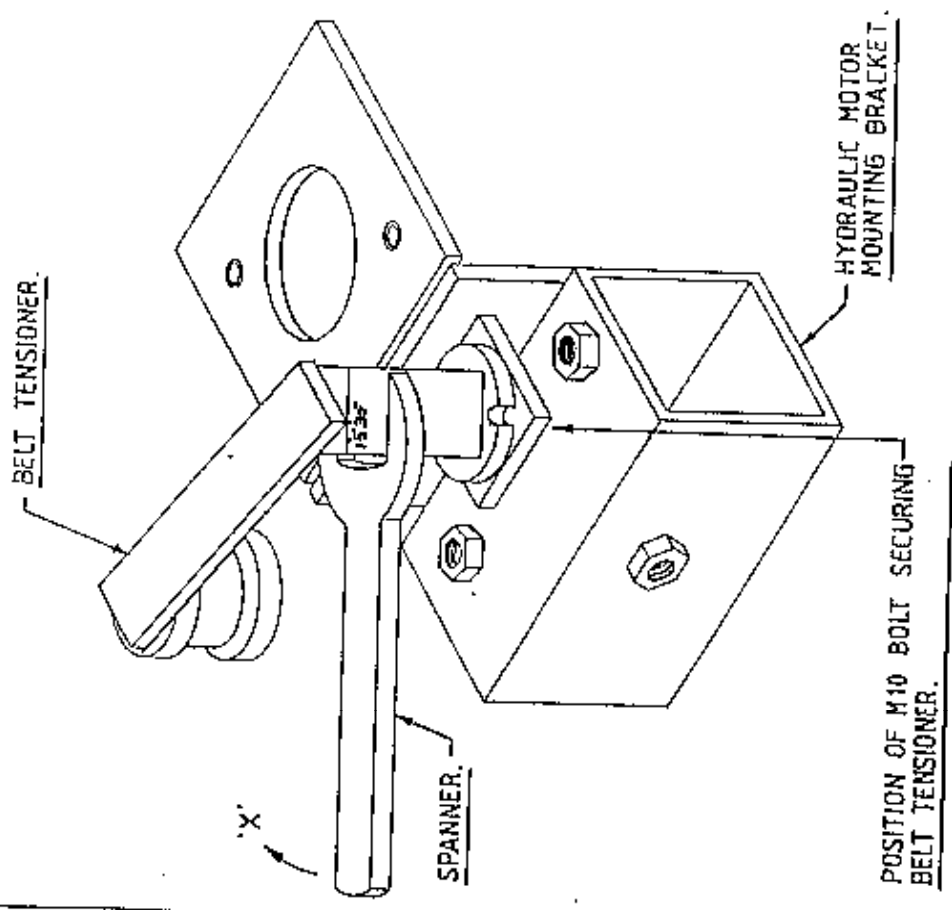
TANCO AUTOV. RAP 400 & 500 MODEL (TRAILED) (GSI)
 HYDRAULIC COMPONENTS (DIN)



TANCO AUTOWRA 1991 DRIVE BELT TENSIONING SYSTEM.

BELT TENSIONING PROCEDURE

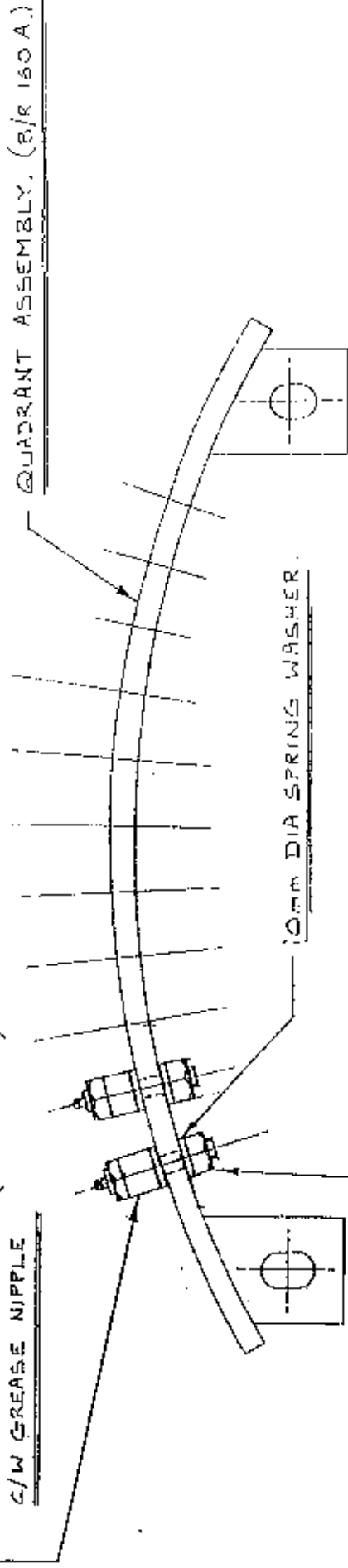
1. CHECK THAT HYDRAULIC MOTOR MOUNTING BRACKET IS SECURED IN POSITION USING 25mm DIMENSION AS SHOWN.
2. LOOSEN M10 BOLT SECURING BELT TENSIONER.
3. TENSION BELT BY ADJUSTING TENSIONER USING SPANNER IN DIRECTION OF ARROW 'X' UNTIL SETTING OF 25'-30' IS REACHED.
4. RE - TIGHTEN M10 BOLT TO SECURE TENSIONER IN POSITION.



NOTE:

WHEN FITTING $\frac{3}{4}$ " DIA CAM FOLLOWERS TO QUADRANT ASSEMBLY IT IS NECESSARY TO TORQUE NUTS TO 26 FT/LB.

$\frac{3}{4}$ " DIA CAM FOLLOWER (HEAVY DUTY)
C/W GREASE NIPPLE



$\frac{3}{8}$ " U.N.F LOCKNUT (BINX)

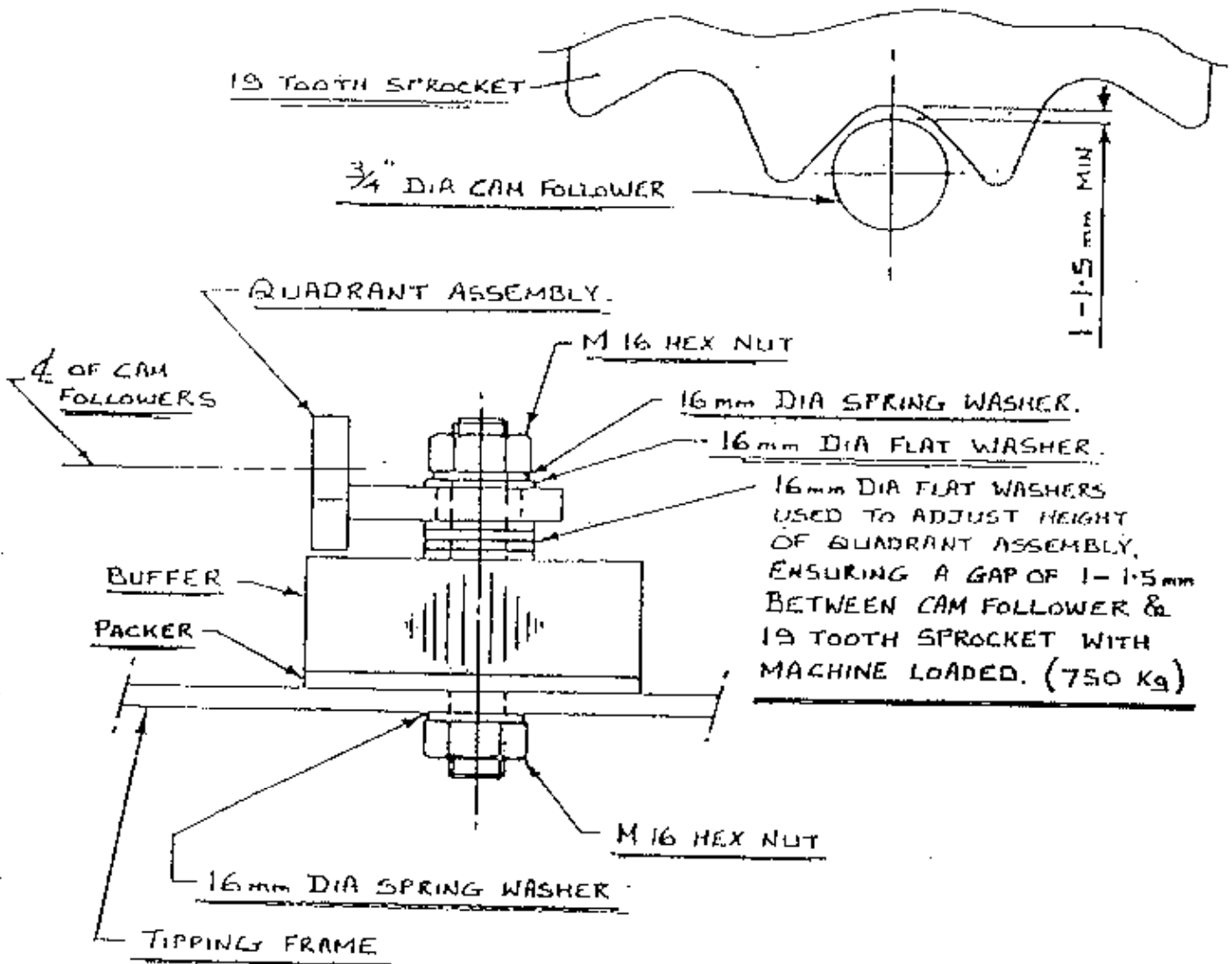
PLAN VIEW OF QUADRANT ASSEMBLY.

NOTE:

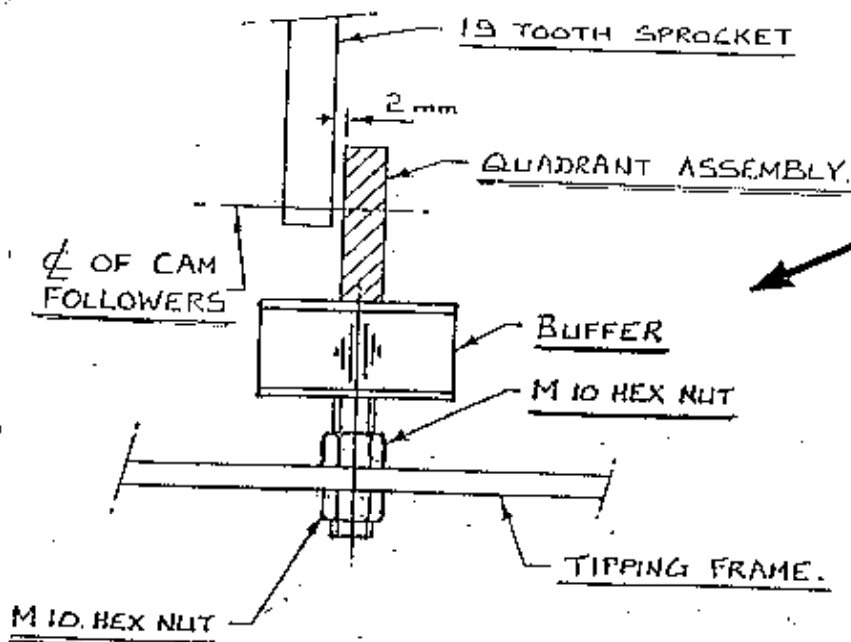
ENSURE THAT M20 HEX HD BOLT X 110mm LONG IS USED TO MOUNT 4" DIA SUPPORT WHEELS ON TURNABLE ASSEMBLY IS POSITIONED WITH BOLT HEAD TO INSIDE TO AVOID FOULING $\frac{3}{4}$ " DIA CAM FOLLOWER.

TANCO AUTOWRAP (1991 MODEL)

QUADRANT ASSEMBLY INSTRUCTIONS.



TANCO AUTO WRAP. 1991
 INDEX SHAFT. SPROCKET CLEARANCE ADJUSTMENT.

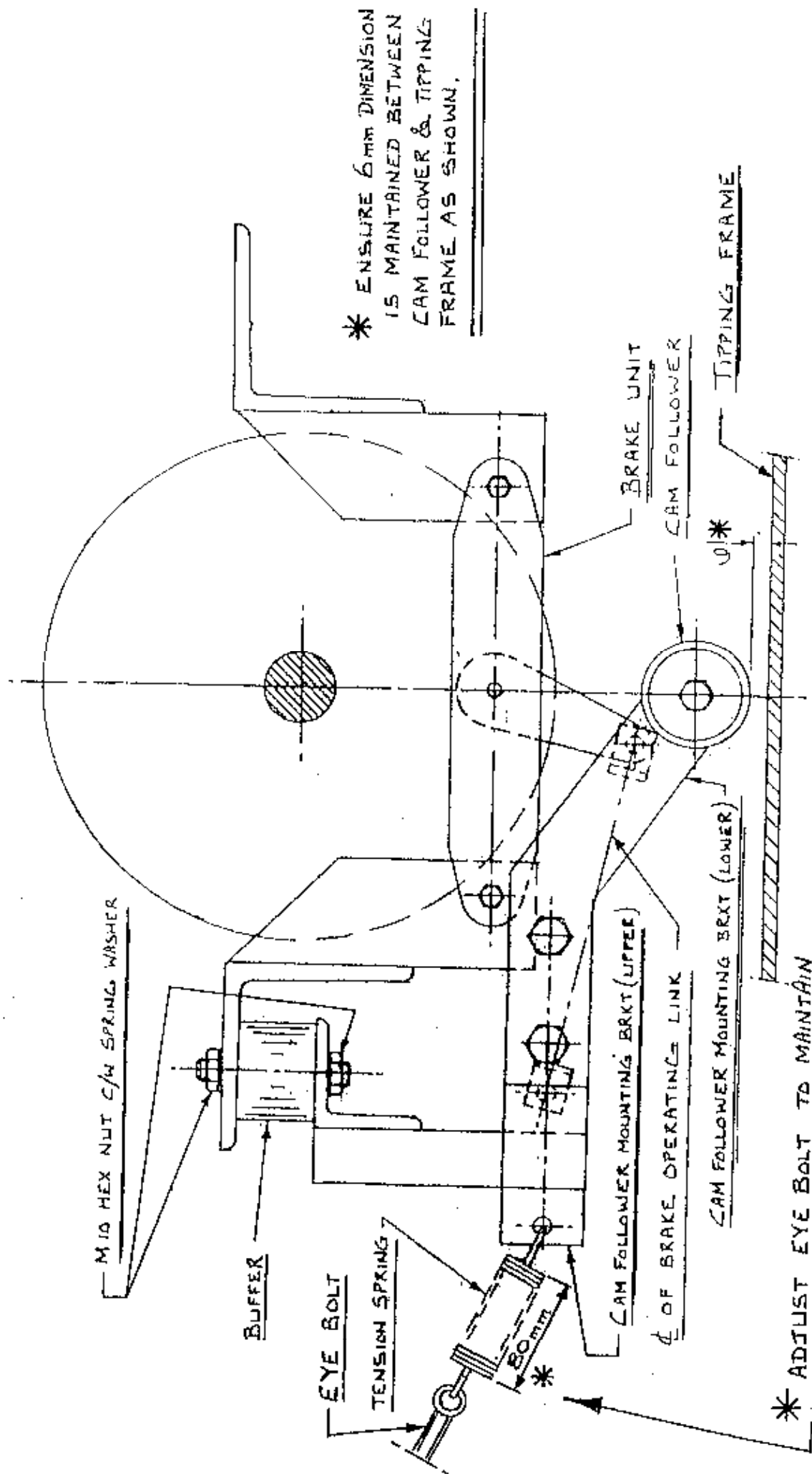


NOTE:

AFTER SETTING QUADRANT POSITION ADJUST CENTRE BUFFER HEIGHT UNTIL IT TOUCHES LOWER EDGE OF QUADRANT ASSEMBLY AS SHOWN.

LANCO AUTO WRAP (1591)

INDEX SHAFT, DISC BRAKE ADJUSTMENT



* ENSURE 6mm DIMENSION IS MAINTAINED BETWEEN CAM FOLLOWER & TIPPING FRAME AS SHOWN.

* ADJUST EYE BOLT TO MAINTAIN 80mm DIMENSION AS SHOWN

FILM ADAPTOR

OPERATING INSTRUCTION

500mm wide film rolls are used as standard on 200, 300 & 400 Autowrap Models while 750mm wide film rolls are used as standard on 500 model. If however it is found necessary to use 500mm wide rolls along with 750mm film dispenser the following instructions must be adhered to:

1. Fit Film adaptor to top end of 500mm wide film roll as shown opposite (Fig. 1)
2. Remove both cam assembly extensions (Item 16) from tipping frame assembly (Item 1) See Fig.2.
3. Reduce number of cam followers (Item 3) in each quadrant assembly (Item 2) to 8 off, ensuring that cam followers are removed from correct end of each quadrant assembly. See Fig.2.

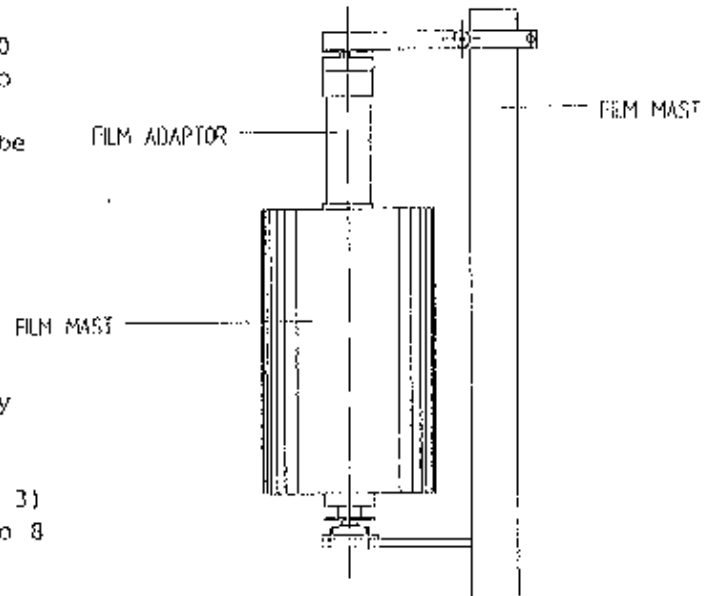
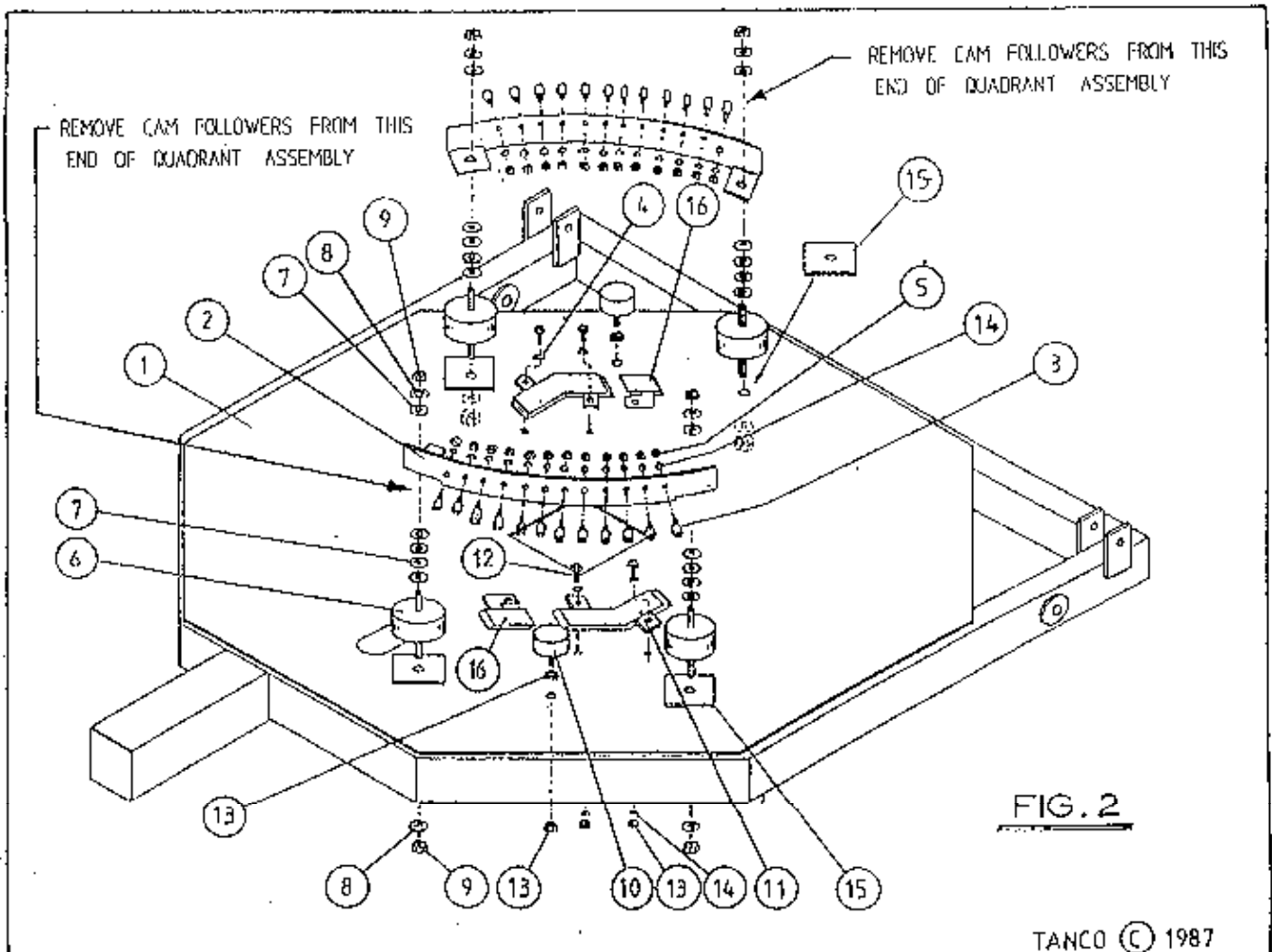
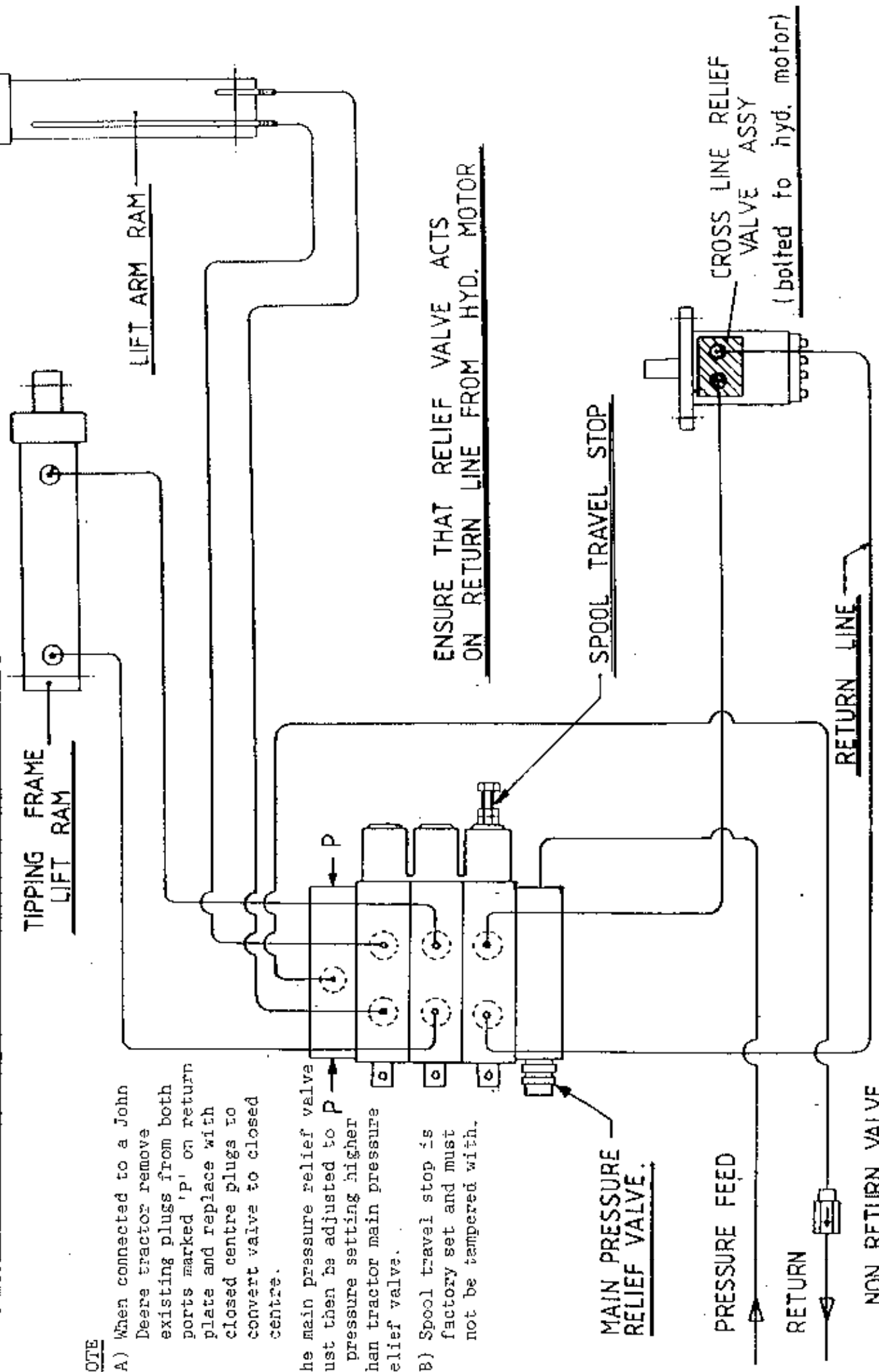


Fig 1



TANCO AUTOWRAP 300 400 & 500 MODEL (TRAILED) HYD. CIRCUIT (DIN) (1991)



NOTE

(A) When connected to a John Deere tractor remove existing plugs from both ports marked 'P' on return plate and replace with closed centre plugs to convert valve to closed centre.

The main pressure relief valve must then be adjusted to **P** a pressure setting higher than tractor main pressure relief valve.

(B) Spool travel stop is factory set and must not be tampered with.

ENSURE THAT RELIEF VALVE ACTS ON RETURN LINE FROM HYD. MOTOR

CROSS LINE RELIEF VALVE ASSY (bolted to hyd. motor)

TANCO AUTOWRAP 400 & 500 MODEL (TRAILED) 1991

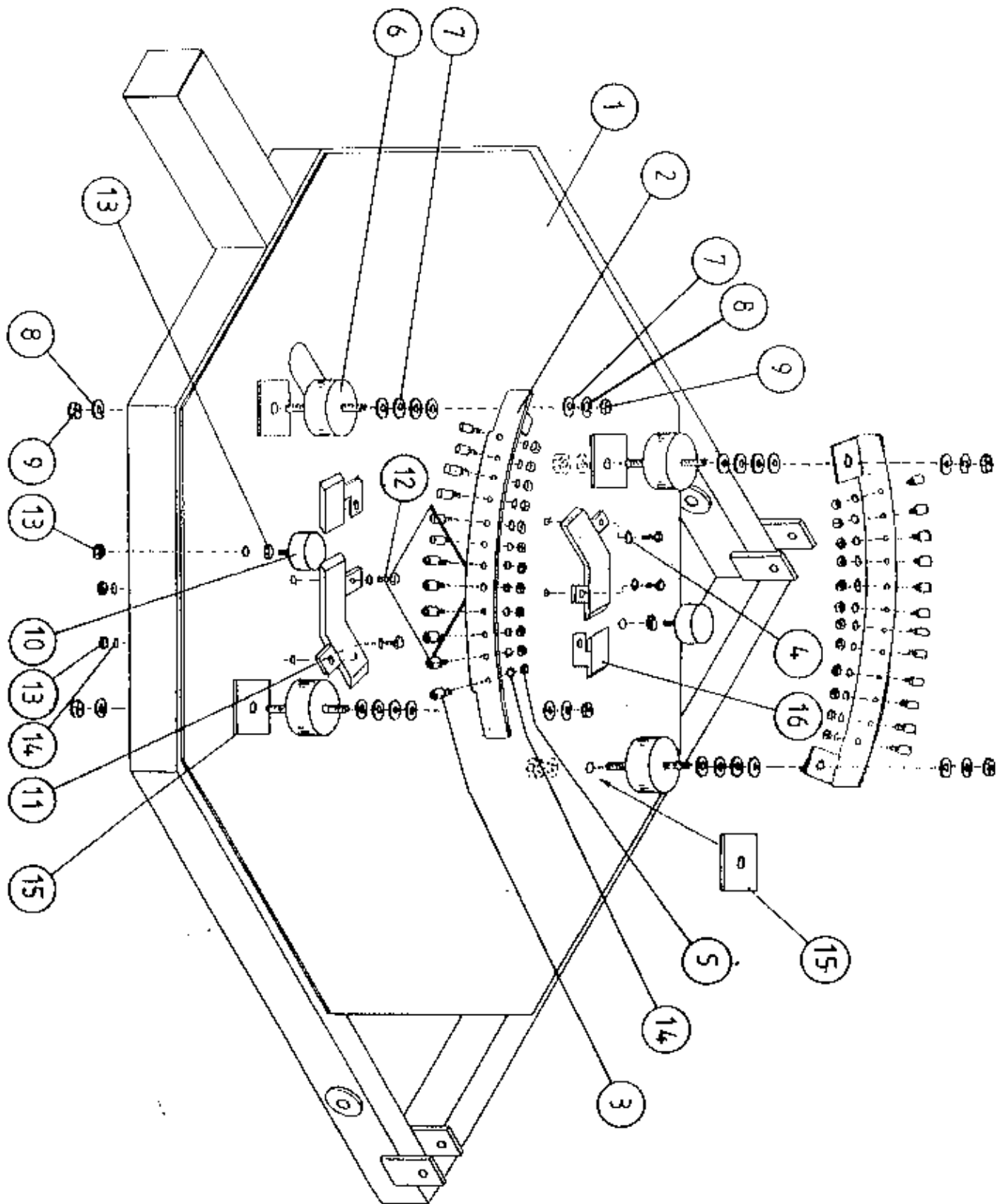
HYDRAULIC COMPONENTS (DIN)

PARTS LIST

<u>ITEM NO.</u>	<u>DESCRIPTION</u>	<u>QTY.</u>	<u>PART NO.</u>	<u>CODE NO.</u>
1.	3 BANK SPOOL VALVE (DIN) C/W LEVERS	1		Z01-03-0180
2.	HYDRAULIC MOTOR (C.L.)	1		Z01-02-AR75
3.	CROSS LINE RELIEF VALVE	1		Z01-03-002
4.	1/2" BSP BOTTOM BANJO BOLT (SPECIAL)	2		
5.	M10 LOCKNUT	2		Z23-10
6.	HYD. RAM (FOR TIPPING FRAME)	1		Z01-01-AR687
7.	1/2" DOWTY WASHER	10		Z01-04-03
8.	1/2" NON RETURN VALVE	1		Z01-03-017
9.	1/2" x 3/8" ADAPTOR	10		Z01-06-05-02
10.	1/2" x 1/2" ADAPTOR	3		Z01-06-06-05
11.	1/2" MALE END Q/R COUPLING	2		Z01-15-035
12.	HYD. RAM (FOR LIFT ARM)	1		Z01-01-AW
13.	96" ST/90 3/8" D/W HOSE	2		Z38-R2-96-59
14.	84" ST/90 3/8" D/W HOSE	2		Z38-R2-84-59
15.	72" ST/90 3/8" D/W HOSE	1		Z38-R2-72-59
16.	84" ST/90 1/2" S/W HOSE	1		Z12-R1-84-59
17.	120" ST/90 3/8" D/W HOSE	2		Z38-R2-120S9
18.	3 1/2" METER CABLE C/W ACTUATOR	1		Z004-03-007 Z004-03-0091 Z004-03-014
19.	ACTUATOR MTG. BRACKET BOTTOM HALF	1	D/R 143 A	
20.	ACTUATOR MTG. BRACKET TOP HALF	1	B/R 144 A	
21.	TIE BOLT (M8 x 150mm LONG)	3		
22.	M8 HEX NUT	6		Z18-08
23.	M10 HEX HD. SETS x 40mm LONG	2		Z26-064S
24.	M12 HEX HD. SET X 30mm LONG	1		
25.	M12 HEX NUT	1		
26.	8mm DIA SPRING WASHER	6		

TANCO AUTOWRAP 1991

INDEXING QUADRANT ASSY (50% OVERLAP WITH 750mm WIDE FILM ROLL)



PANCO AUTOMRAP 1991

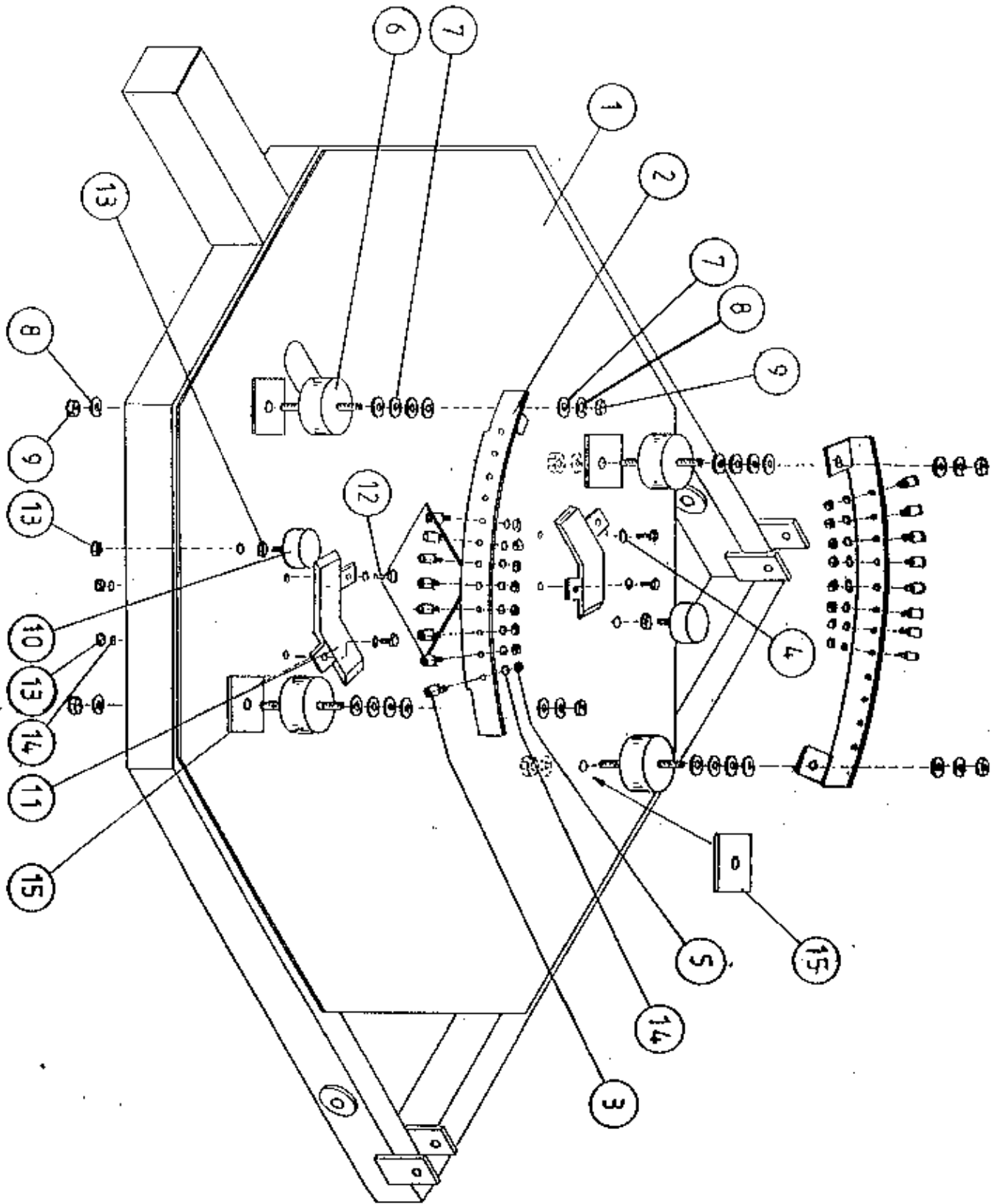
PARTS LIST

INDEXING QUADRANT ASSEMBLY (50% OVERLAP WITH 750MM WIDE FILM ROLL)

<u>ITEM NO.</u>	<u>DESCRIPTION</u>	<u>QTY.</u>	<u>PART NO.</u>	<u>CODE NO.</u>
1.	TIPPING FRAME ASSY.	1	B/R 101 A	
2.	QUADRANT ASSY.	1	B/R 160 A	
3.	3/4" DIA CAM FOLLOWER (HEAVY DUTY) C/W GREASE NIPPLE	24		Z06-425
4.	10mm DIA FLAT WASHERS	4		Z11-02-10
5.	3/8" UNF LOCKNUTS (BINX)	24		Z20-12
6.	RUBBER BUFFER 100mm DIA x 40mm LONG	4		Z40-22
7.	16mm DIA FLAT WASHERS	20		Z10-02-16
8.	16mm DIA SPRING WASHERS	8		Z12-02-16
9.	M16 HEX NUT	5		Z13-16
10.	RUBBER BUFFER 50mm DIA x 25mm LONG	2		Z40-23
11.	CAM ASSY	2	B/R 164 A	
12.	M10 HEX HD SET x 30mm LONG	4		Z26-0625
13.	M10 HEX NUT	8		Z18-10
14.	10mm DIA SPRING WASHER	28		Z12-02-10
15.	PACKER	4	B/R 184	XPAW
16.	CAM EXTENSION	2	B/R 245A	

TANCO AUTOWRAP 1991

INDEXING QUADRANT ASSY (50% OVERLAP WITH 500mm WIDE FILM ROLL)

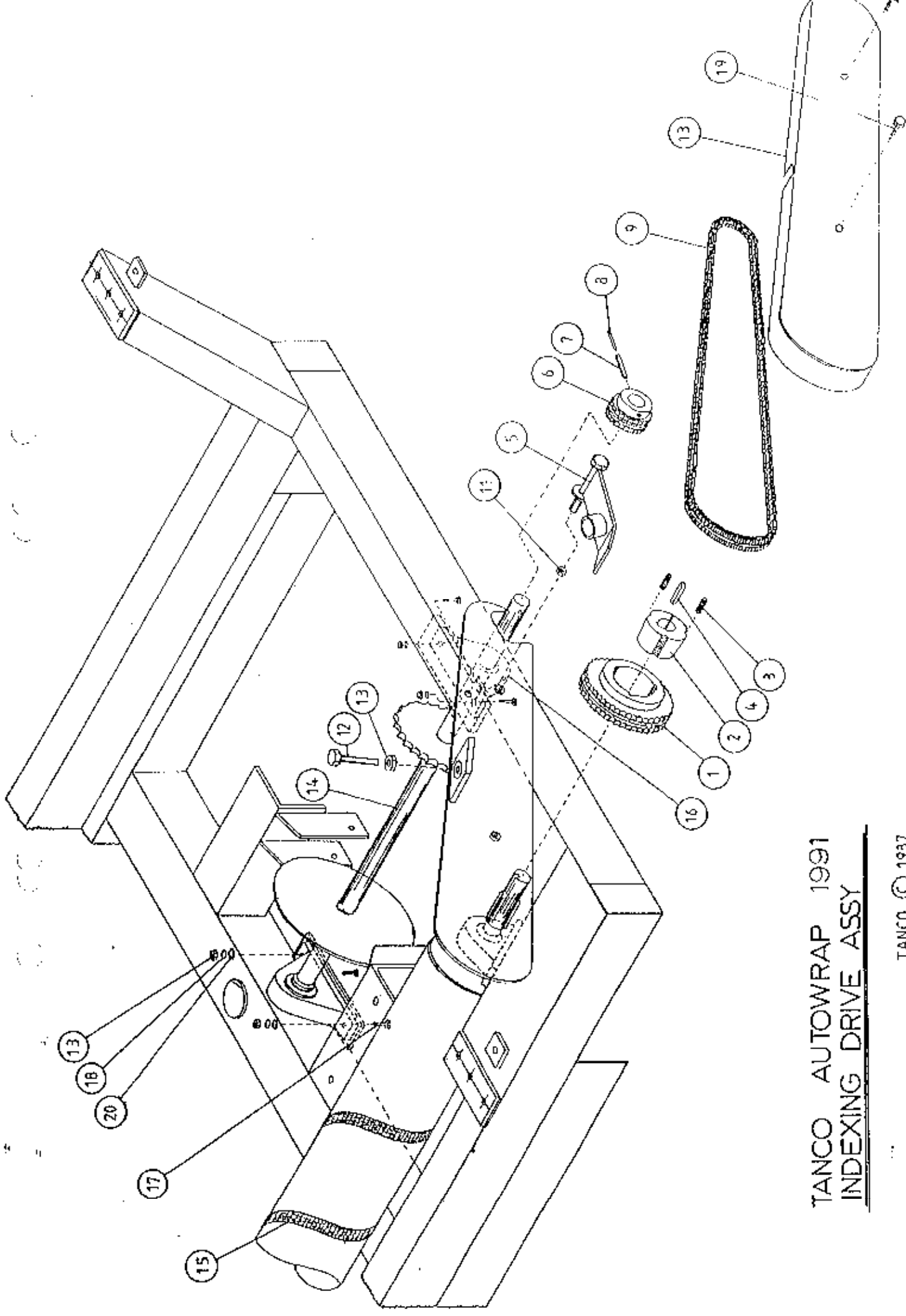


TANCO AUTOWRAP 1991

PARTS LIST

INDEXING QUADRANT ASSEMBLY (50% OVERLAP WITH 500MM WIDE FILM ROLL)

<u>ITEM NO.</u>	<u>DESCRIPTION</u>	<u>QTY.</u>	<u>PART NO.</u>	<u>CODE NO.</u>
1.	TIPPING FRAME ASSY.	1	B/R 101 A	
2.	QUADRANT ASSY.	1	B/R 160 A	
3.	3/4" DIA CAM FOLLOWER (HEAVY DUTY) C/W GREASE NICPLE	16		206-425
4.	10mm DIA FLAT WASHERS	4		211-02-10
5.	3/8" UNF LOCKNUTS (BINX)	16		220-12
6.	RUBBER BUFFER 100mm DIA x 40mm LONG	4		240-22
7.	16mm DIA FLAT WASHERS	20		210-02-16
8.	16mm DIA SPRING WASHERS	8		212-02-16
9.	M16 HEX NUT	8		218-16
10.	RUBBER BUFFER 50mm DIA x 25mm LONG	2		240-23
11.	CAM ASSY	2	B/R 164 A	
12.	M10 HEX HD SPT x 30mm LONG	4		226-062S
13.	M10 HEX NUT	8		218-10
14.	10mm DIA SPRING WASHER	20		212-02-10
15.	PACKER	4	B/R 184	XPAW



TANCO AUTOWRAP 1991
INDEXING DRIVE ASSY

TANCO © 1997

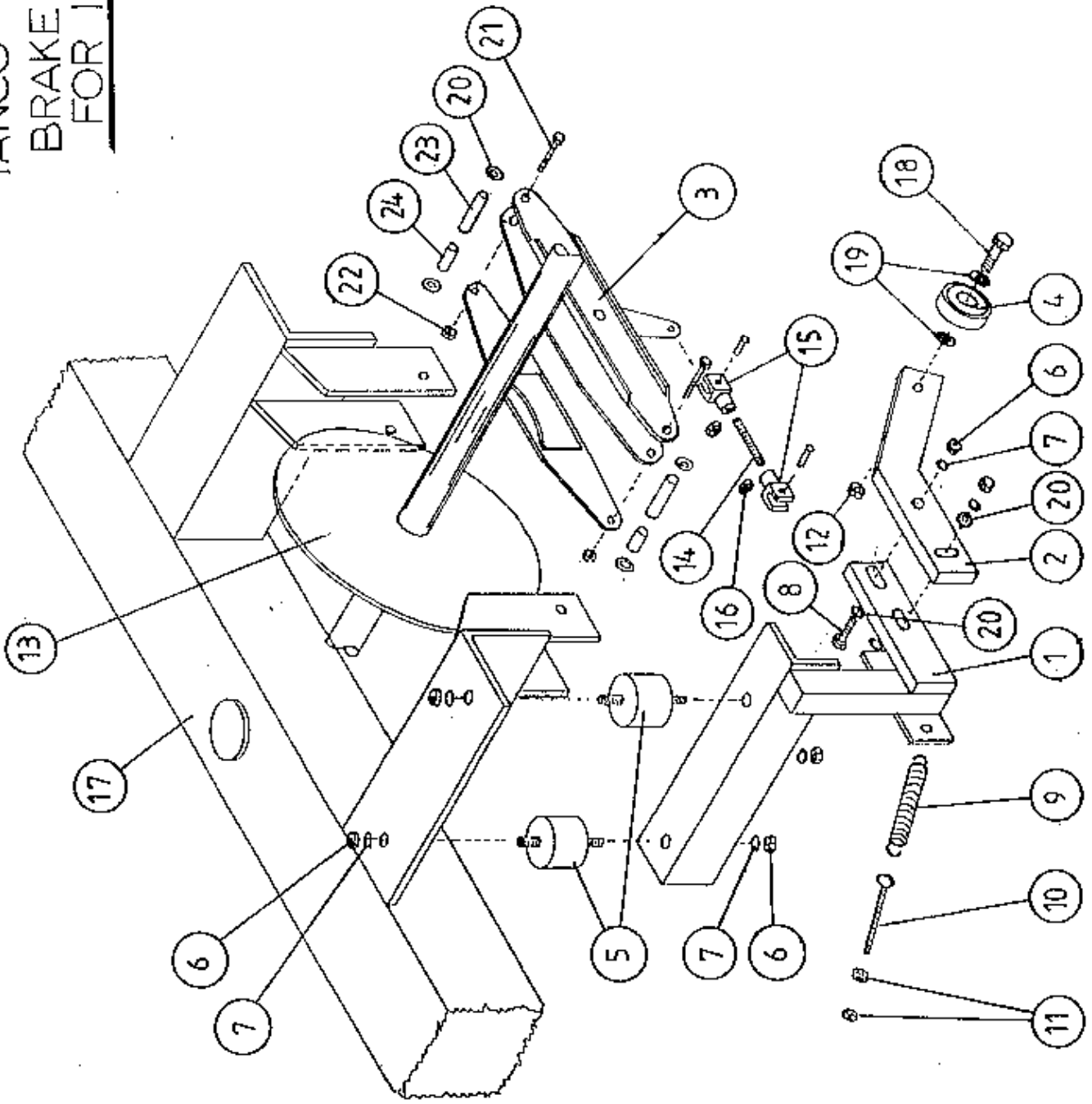
TANCO AUTOWRAP 1991

PARTS LIST

INDEXING DRIVE ASSEMBLY

<u>ITEM NO.</u>	<u>DESCRIPTION</u>	<u>QTY.</u>	<u>PART NO.</u>	<u>CODE NO.</u>
1.	38 TOOTH x 1/2" PITCH DUPLEX SPROCKET	1		Z06-AW2
2.	TAPER LOCK BUSH TO SUIT 1" SHAFT & ABOVE SPROCKET	1		Z06-AW21
3.	STNDS	2		
4.	KEY 1/4" x 1/4" x 32mm LONG	1		
5.	CHAIN TENSIONER ASSY.	1	B/R 117 A	
6.	15 TOOTH x 1/2" PITCH DUPLEX SPROCKET	1		Z06-AW1P
7.	5/16" DIA x 45mm LONG TENSION PIN	1		Z03-20-022
8.	3/16" DIA x 45mm LONG TENSION PIN	1		Z03-21-15
9.	1/2" PITCH DUPLEX CHAIN x 51 LINKS (INC.JOINER LINK)	1		Z09-AW
10.	CHAIN GUARD	1	B/R 243 A	
11.	M12 LOCKNUT	1		Z23-12
12.	M12 HEX HD. SET x 60mm LONG	1		Z26B-088
13.	M12 HEX NUT	5		Z18-12
14.	DRIVE SHAFT C/W SPROCKET ASSY.	1	B/R 166 A	
15.	GRIPFACE STRIP	2		Z05-02-AW4
16.	1" PILLOW BLOCK BEARING C/W CAM LOCK COLLAR	2		Z06-47
17.	M12 HEX HD. SET x 40mm LONG	4		Z26-084S
18.	12mm DIA SPRING WASHER	4		Z12-02-12
19.	BLACK KNOB (M10 x 50)	2		Z49-96
20.	12mm DIA FLAT WASHER	2		Z11-02-12

TANCO AUTOWRAP 1991
 BRAKE ARRANGEMENT
 FOR INDEXING SHAFT



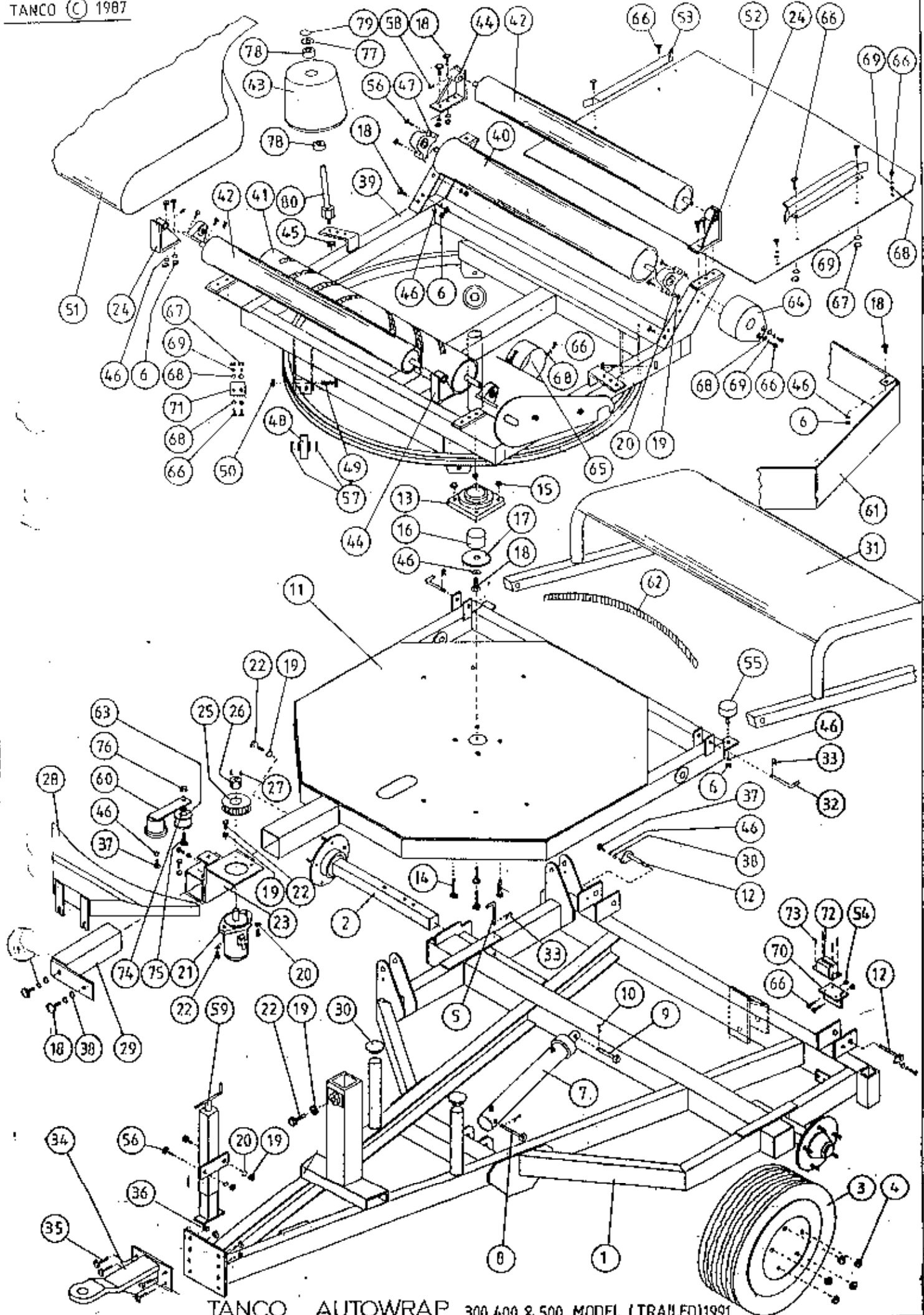
TANCO © 1987

TANCO AUTOWRAP 1991

BRAKE ARRANGEMENT FOR INDEXING SHAFT

PARTS LIST

<u>ITEM NO.</u>	<u>DESCRIPTION</u>	<u>QTY.</u>	<u>PART NO.</u>	<u>CODE NO.</u>
1.	CAM FOLLOWER MOUNTING BRACKET (UPPER)	1	B/R 169 A	
2.	CAM FOLLOWER MOUNTING BRACKET (LOWER)	1	B/R 170	
3.	CALIPER DISC BRAKE UNIT	1		Z49-92
4.	BALL BEARING (6301)	1		Z06-43
5.	RUBBER BUFFER 50mm DIA x 30 LONG TYPE A S7 SHORE	2		Z40-21
6.	M10 HEX NUTS	6		Z18-10
7.	10mm DIA SPRING WASHERS	6		Z12-02-10
8.	M10 HEX HD SET x 40 LONG	2		Z26-0645
9.	TENSION SPRING	1	J-24	Z07-05
10.	EYE BOLT (M8)	1	B/R 172 A	
11.	M8 HEX NUTS	2		Z18-08
12.	M12 LOCKNUT	1		Z23-12
13.	SPROCKET/SHAFT ASSY	1	B/R 166 A	
14.	5/16" UNF THREADED BAR x 90mm LONG	1		
15.	5/16" UNF CLEVIS C/W PIN & CLIP	2		Z49-33
16.	5/16" UNF HEX NUT	2		Z15-05
17.	TURN TABLE	1	B/R 102 A	
18.	M12 HEX HD. SETS x 40mm LONG	1		Z26-0845
19.	12mm DIA FLAT WASHER	2		Z11-02-12
20.	10mm DIA FLAT WASHER	7		Z11-02-10
21.	3/8" UNF HEX HD. BOLT x 3" LONG	2		Z31B-102
22.	3/8" UNF LOCK NUT	2		Z15-06
23.	SPACER 1/2" O.D. x 13/32" I.D. x 1 1/2" LONG	2		
24.	SPACER 1/2" O.D. x 13/32" I.D. x 1/2" LONG	2		



TANCO AUTOWRAP 300,400 & 500 MODEL (TRAILED)1991

TANCO AUTOWRAP 300, 400 & 500 MODEL (TRAILED) 1991

PARTS LIST

<u>ITEM NO.</u>	<u>DESCRIPTION</u>	<u>QTY.</u>	<u>PART NO.</u>	<u>CODE NO.</u>
1.	CHASSIS ASSY	1	B/R 100 A	
2.	STUB AXLE (ADJUSTABLE)	1		Z04-033
3.	WHEELS	2		Z04-03
4.	WHEEL NUTS	10		Z04-0331
5.	BISSEL PIN	1	B/R 176	Z03-22-AW82
6.	M10 HEX NUT	18		Z18-10
7.	HYD. RAM	1		Z01-01-AR687
8.	RAM BOTTOM PIVOT PIN	1	B/T 330	Z03-02-330
9.	RAM TOP PIVOT PIN	1	J-71-50	Z03-03-50
10.	2" X 1/4" SPIGIT PIN	2		Z03-21-29
11.	TIPPING FRAME ASSY.	1	B/R 101 A	
12.	TIPPING FRAME PIVOT PIN C/W GREASE NIPPLE	2	905/968	Z03-01-905 Z39-60
13.	2" DIA FLANGE BEARING	1		Z06-49
14.	5/8" UNF HEX HD SET x 2" LONG	4		Z30B-064
15.	5/8" UNF LOCKNUTS	4		Z20-10
16.	SPACER	1	B/R 277	WD60-705
17.	RETAINING COLLAR	1	B/R 276	
18.	M10 HEX HD SET x 30mm LONG	19		Z26-062S
19.	M12 HEX NUT	15		Z18-12
20.	12mm DIA SPRING WASHER	12		Z12-02-12
21.	HYD. MOTOR C.L.	1		Z01-02-AR75
22.	M12 HEX HD SETS x 30mm LONG	7		Z26-082S
23.	HYD. MOTOR MOUNTING ASSY.	1	B/R 103 A	
24.	ROLLER MOUNTING BRACKET	2	B/R 228 A	
25.	4"DIA x 1/2" PITCH TOOTHED PULLEY	1		Z09-005-AW1
26.	TAPER LOCK BUSH TO SUIT 1" DIA SHAFT	1		Z09-005-AW2
27.	M10 STUDS X 15mm	2		Z28-01
28.	HYD. MOTOR GUARD ASSY	1	B/R 237 A	
29.	HYDRAULIC MOTOR GUARD MOUNTING BRACKET	1	B/R 236 A	
30.	PLASTIC CAP	2		Z32-08
31.	BALE RAMP ASSY	1	B/R 123 A	
32.	BISSEL PIN	2	T/D.02	Z03-22-AW100
33.	4mm "R" CLIP	3		Z36-02

TANCO AUTOWRAP 300, 400 & 500 MODEL (TRAILED) 1991PARTS LIST

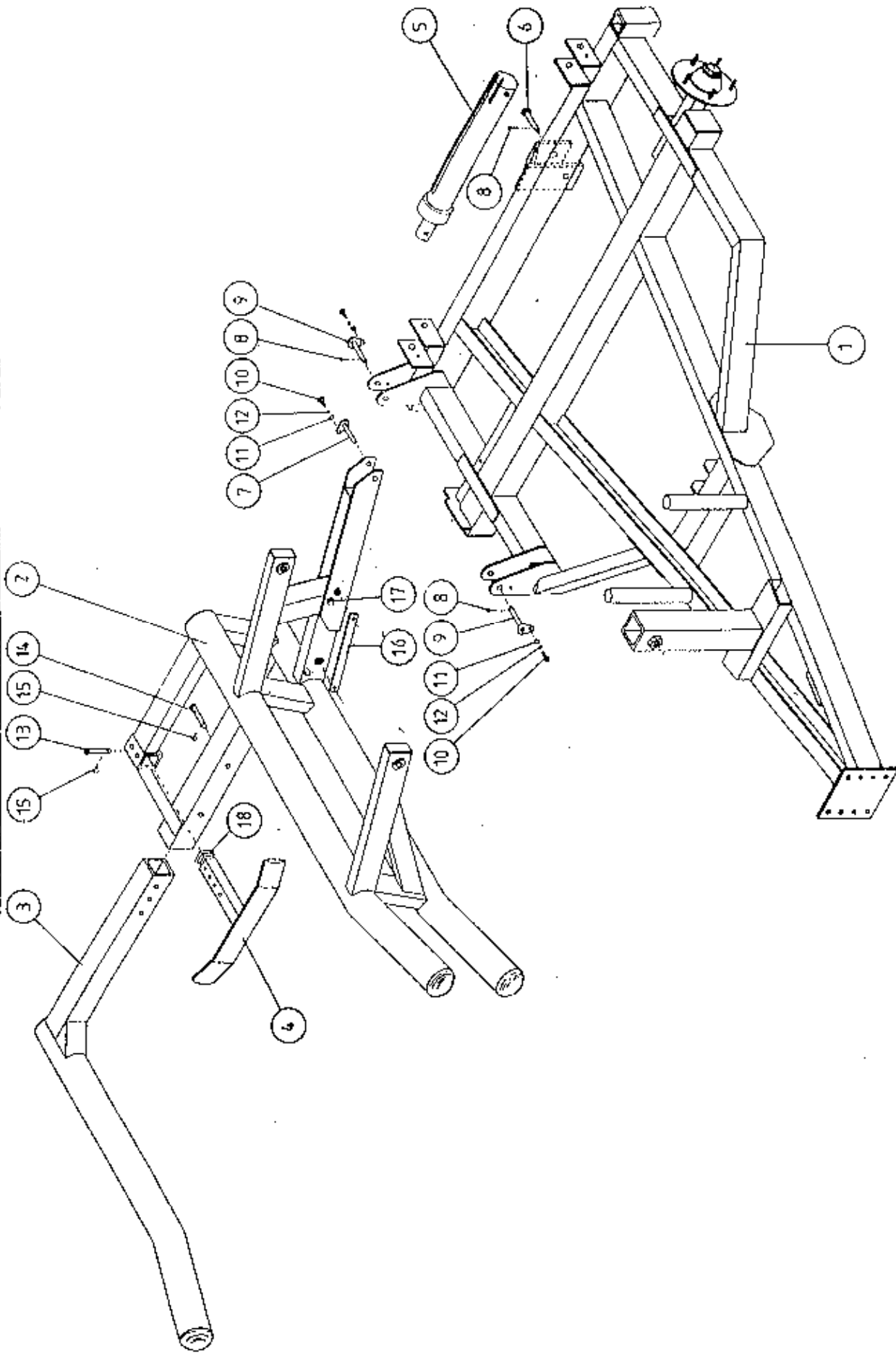
<u>ITEM NO.</u>	<u>DESCRIPTION</u>	<u>QTY.</u>	<u>PART NO.</u>	<u>CODE NO.</u>
34.	HITCH ASSY.	1	B/R 227 A	
35.	M16 HEX HD. SET x 45mm LONG	4		Z26-123S
36.	M16 LOCKNUTS	4		Z23-16
37.	M10 HEX HD. SET x 25mm LONG (TUFLOCK)	3		Z26S-061
38.	10mm DIA MACHINED FLAT WASHER	4		Z11-02-10
39.	TURN TABLE ASSY.	1	B/R 102 A	
	BIG ROLLER ASSY IDLER	1	B/R 104 A	
41.	BIG ROLLER ASSY. DRIVER	1	B/R 105 A	
42.	SMALL ROLLER ASSY.	2	B/R 106 A	
	SIDE ROLLER	2	B/R 282	
44.	ROLLER MTG. BRACKET	2	B/R 229 A	
45.	3/4" U.N.F. LOCKNUT	2		Z20-12
46.	10mm DIA SPRING WASHERS	24		Z12-02-10
47.	1" PILLOW BLOCK BEARING C/W CAM LOCK COLLAR	4		Z06-47
48.	SUPPORT WHEELS (4" DIA)	4		Z06-466
49.	AXLE ASSY. C/W GREASE NIPPLE	4	B/R 192	Z03-22-AW/AX Z39-60
50.	M20 LOCKNUTS	4		Z23-20
51.	1 METER WIDE x 89 1/2" LONG x 1/4" FLAT BELT	1		Z05-02-AWV
52.	TURN TABLE COVER PLATE	1	B/R 114	
53.	BELT GUIDE ASSY.	2	B/R 115 A	
	M8 LOCKNUTS	2		Z23-06
55.	BUFFER 50mm DIA x 40mm LONG	2		Z40-20
56.	M12 HEX HD. SETS x 40mm LONG	10		Z26S-084
	SPACER	8	B/R 198	WD60-198
58.	1/8" B.S.P. ST GREASE NIPPLE	4		Z39-60
59.	SCREW JACK ASSEMBLY	1	B/R 130 A	
60.	ROSTA TENSIONING UNIT ARM	1		Z06-454
61.	MAIN GUARD ASSY.	1	B/R 244 A	
62.	170" LONG x 1/2 PITCH x 1" WIDE TOOTHED BELT	1		Z05-02-AW2
63.	STEPPED ROLLER C/W BEARINGS	1	B/R 226	Z06-455

TANCO AUTOWRAP 300, 400 & 500 MODEL (TRAILED) 1991

PARTS LIST

<u>ITEM NO.</u>	<u>DESCRIPTION</u>	<u>QTY.</u>	<u>PART NO.</u>	<u>CODE NO.</u>
64.	GRASS GUARD (CLOSED TYPE)	3	B/R 182 A	Z49-98
65.	GRASS GUARD (OPEN TYPE)	1	B/R 183 A	Z49-981
66.	M8 HEX HD SETS x 20mm LONG	22		Z26-0395
67.	M8 HEX NUTS	14		Z18-08
68.	8mm DIA FLAT WASHERS (MUD FLAP)	20		Z11-02-0B1
69.	8mm DIA SPRING WASHERS	20		Z12-02-0B
70.	COUNTER MOUNTING BRACKETS	1	B/R 196 A	
71.	SCRAPER	2	B/R 191	
72.	COUNTER (RE-SETTABLE TYPE)	1		Z49-911
73.	3mm DIA POP RIVET	4		Z03-25-03
74.	SPACER	1	B/R 235	
75.	M10 HEX HD BOLT x 60mm LONG	1		Z26-067B
76.	M10 LOCKNUT	1		Z23-10
77.	THRUST WASHER	2	B/R 284	Z11-02-205
78.	BEARING (25mm I.D.)	4		
79.	CIRCLIP	2		Z29-75
80.	ROLLER SHAFT ASSEMBLY	2	B/R 283	

TANCO AUTOWRAP LIFT A & MASSIS
 300 400 & 500 MODEL (TRAILED) 1991



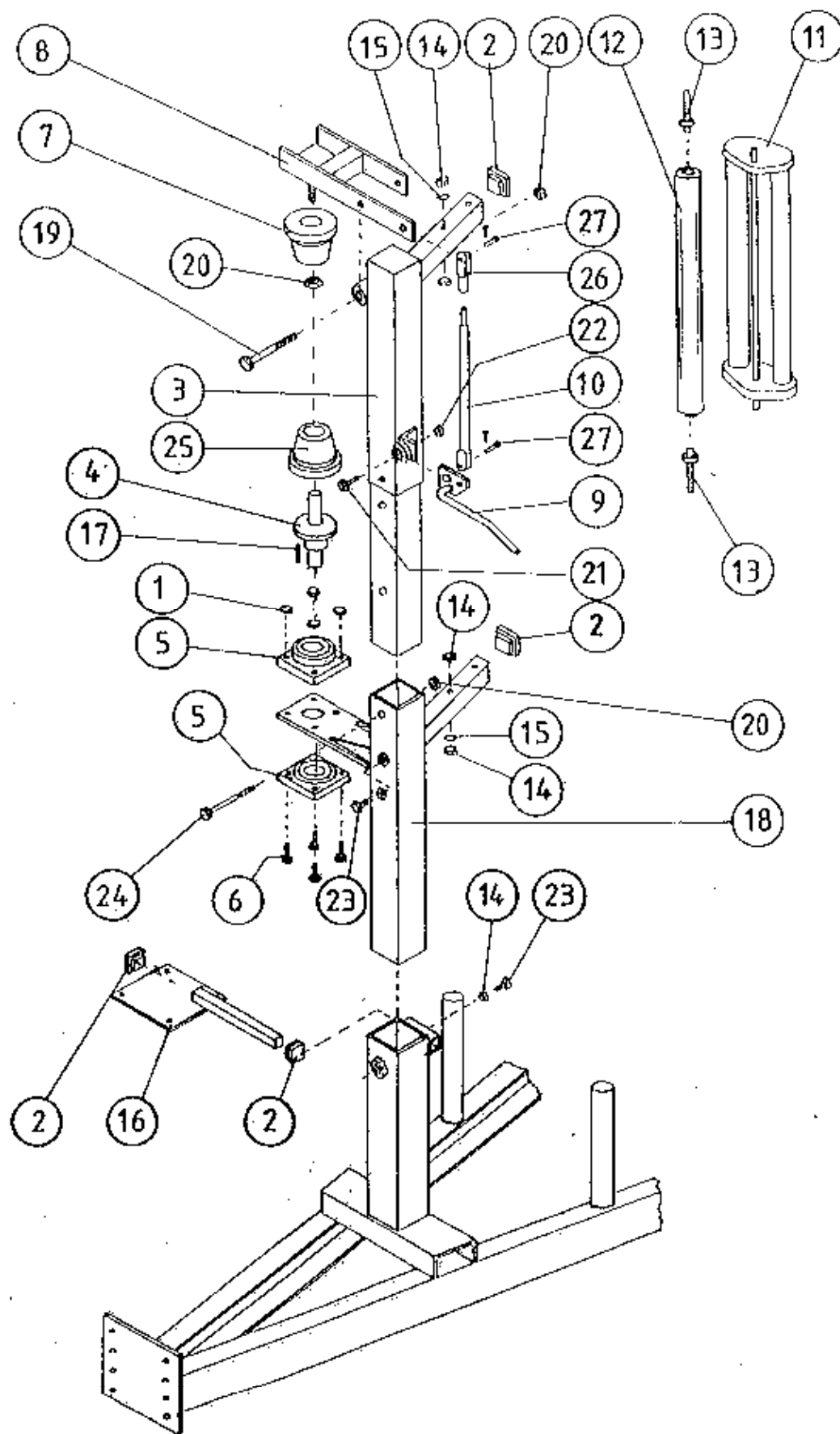
TANCO AUTOWRAP 300, 400 & 500 MODEL (TRAILED) 1991

PARTS LIST

LIFT ARM AND CHASSIS

<u>ITEM NO.</u>	<u>DESCRIPTION</u>	<u>QTY.</u>	<u>PART NO.</u>	<u>CODE NO.</u>
1.	CHASSIS ASSEMBLY	1	B/R 100 A	
2.	LIFT ARM ASSEMBLY	1	B/R 140 A	
3.	ADJUSTABLE OUTER ARM ASSY.	1	B/R 152 A	
4.	ADJUSTABLE BALE STOP	1	B/R 153 A	
5.	HYDRAULIC RAM (LIFT ARM)	1	27	Z01-01-AW
6.	RAM BOTTOM PIVOT PIN	1	B/T 330 A	Z03-02-330
7.	RAM TOP PIVOT PIN	1	797/968	Z03-01-797
8.	2" x 1/4" SPLIT PINS	3		Z03-21-29
9.	LIFT ARM PIVOT C/W GREASE NIPPLE	2	905/968	Z03-01-905
10.	M10 HEX HD SET x 25mm LONG (TUFLOCK)	3		Z265-061
11.	10mm DIA MACHINED FLAT WASHER	3		Z11-02-10
12.	10mm DIA SPRING WASHER	3		Z12-02-10
13.	SPAREX PIN	1	S73	Z03-04-73
14.	SPAREX PIN	1	S77	Z03-04-77
15.	7/16" DIA LINCH PINS	2		Z03-22-06
16.	SAFETY SUPPORT BAR	1	B/R 165	
17.	6mm DIA LINCH PIN	2		Z03-22-03
18.	PLASTIC CAP	1		Z32-10

TANCO AUTOWRAP 400 MODEL (TRAILED) 1991 FILM DISPENSING SYSTEM



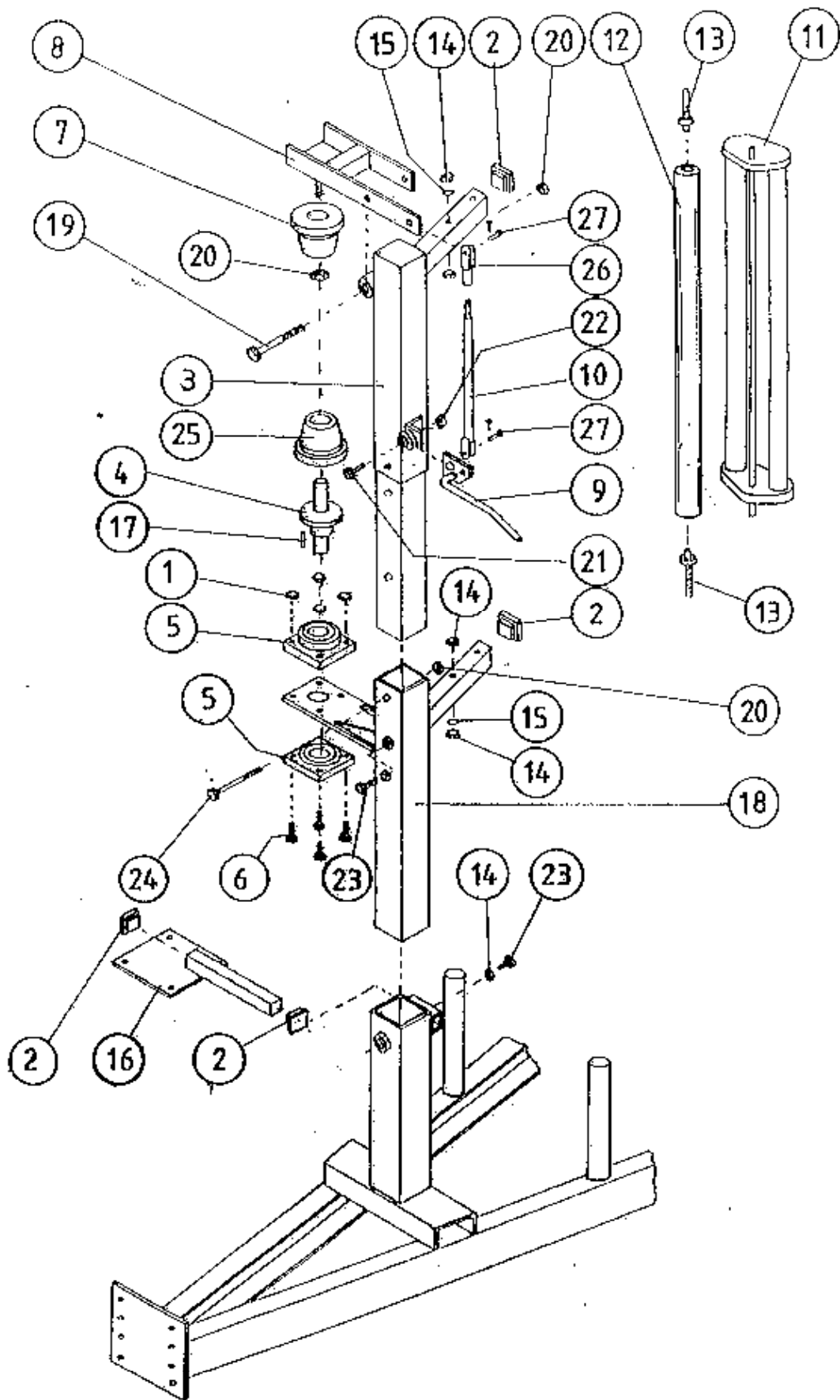
GANCO AUTOWRAP 400 MODEL (TRAILER) 1991

FILM DISPENSING SYSTEM

PARTS LIST

<u>ITEM NO.</u>	<u>DESCRIPTION</u>	<u>QTY.</u>	<u>PART NO.</u>	<u>CODE NO.</u>
1.	M10 LOCKNUTS	4		Z23-10
2.	PLASTIC CAPS (TO SUIT 40 x 40 x 3 RHS)	4		Z32-07
3.	DISPENSER MOUNTING (UPPER)	1	B/R 221 A	
4.	FILM SPOOL ASSEMBLY	1	B/R 225 A	
5.	1" DIA FLANGE BEARING	2		Z06-48
6.	M10 HEX HD. BOLT x 50mm LONG	4		Z26-066R
7.	CONE (TOP) C/W BALL BEARINGS	1	B/R 233	
8.	CLAMP ASSEMBLY	1	B/R 223 A	
9.	LEVER ASSEMBLY	1	B/R 222 A	
10.	LINK ASSEMBLY	1	B/R 224 A	
11.	FILM DISPENSER UNIT MK 6	1		D613
12.	SLAVE ROLLER ASSY (PLASTIC COATED)	1	B/R 134 A	
13.	SLAVE ROLLER PIVOT	2	B/R 135	
14.	M12 HEX NUTS	6		Z18-12
15.	12mm DIA SPRING WASHER	2		Z12-02-12
16.	SPOOL VALVE MOUNTING PLATE ASSEMBLY	1	B/R 247 A	
17.	1/4" DIA TENSION PIN x 3/4" LONG	1		Z03-20-062
18.	DISPENSER MOUNTING (LOWER)	1	B/R 219 A	
19.	M12 HEX HD BOLT x 130mm LONG	1		Z26-094B
20.	M12 LOCKNUT	3		Z23-12
21.	M8 HEX HD BOLT x 35mm LONG	1		Z26-042S
22.	M8 LOCKNUT	1		Z23-08
23.	M12 HEX HD SET x 30mm LONG	2		Z26-082S
24.	M12 HEX HD BOLT x 100mm LONG	1		Z26-092B
25.	CONE (BOTTOM)	1	B/R 234	
26.	CLEVIS (M10)	1	B/R 248	
27.	PIN (5/16" DIA) C/W CLIP	2		Z49-337

TANCO AUTOWRAP 500 MODEL (TRAILED) 1991 FILM DISPENSING SYSTEM



TANCO AUTOWRAP 500 MODEL (TRAILER) 1991

FILM DISPENSING SYSTEM

PARTS LIST

<u>ITEM NO.</u>	<u>DESCRIPTION</u>	<u>QTY.</u>	<u>PART NO.</u>	<u>CODE NO.</u>
1.	M10 LOCKNUTS	4		Z23-10
2.	PLASTIC CAPS (TO SUIT 40 x 40 x 3 RIBS)	4		Z32-07
3.	DISPENSER MOUNTING (UPPER)	1	B/R 221 A	
4.	FILM SPOOL ASSEMBLY	1	B/R 225 A	
5.	1" DIA FLANGE BEARING	2		Z06-48
6.	M10 HEX HD. BOLT x 50mm LONG	4		Z26-066B
7.	CONE (TOP) C/W BALL BEARINGS	1	B/R 233	
8.	CLAMP ASSEMBLY	1	B/R 223 A	
9.	LEVER ASSEMBLY	1	B/R 222 A	
10.	LINK ASSEMBLY	1	B/R 224 A	
11.	FILM DISPENSER UNIT MK 8	1		D615
12.	SLAVE ROLLER ASSY (PLASTIC COATED)	1	B/R 218 A	
13.	SLAVE ROLLER PIVOT	2	B/R 135	
14.	M12 HEX NUTS	6		Z18-12
15.	1.2mm DIA SPRING WASHER	2		Z12-02-12
16.	SPOOL VALVE MOUNTING PLATE ASSEMBLY	1	B/R 247 A	
17.	1/4" DIA TENSION PIN x 3/4" LONG	1		Z03-20-062
18.	DISPENSER MOUNTING (LOWER)	1	B/R 219 A	
19.	M12 HEX HD BOLT x 130mm LONG	1		Z26-094B
20.	M12 LOCKNUT	3		Z23-12
21.	M8 HEX HD BOLT x 35mm LONG	1		Z26-042S
22.	M8 LOCKNUT	1		Z23-08
23.	M12 HEX HD SET x 30mm LONG	2		Z26-082S
24.	M12 HEX HD BOLT x 100mm LONG	1		Z26-092B
25.	CONE (BOTTOM)	1	B/R 234	
26.	CLEVIS (M10)	1	B/R 248	
27.	PIN (5/16" DIA) C/W CLIP	2		Z49-337

TANCO AUTOWRAP
CUT AND START UNIT

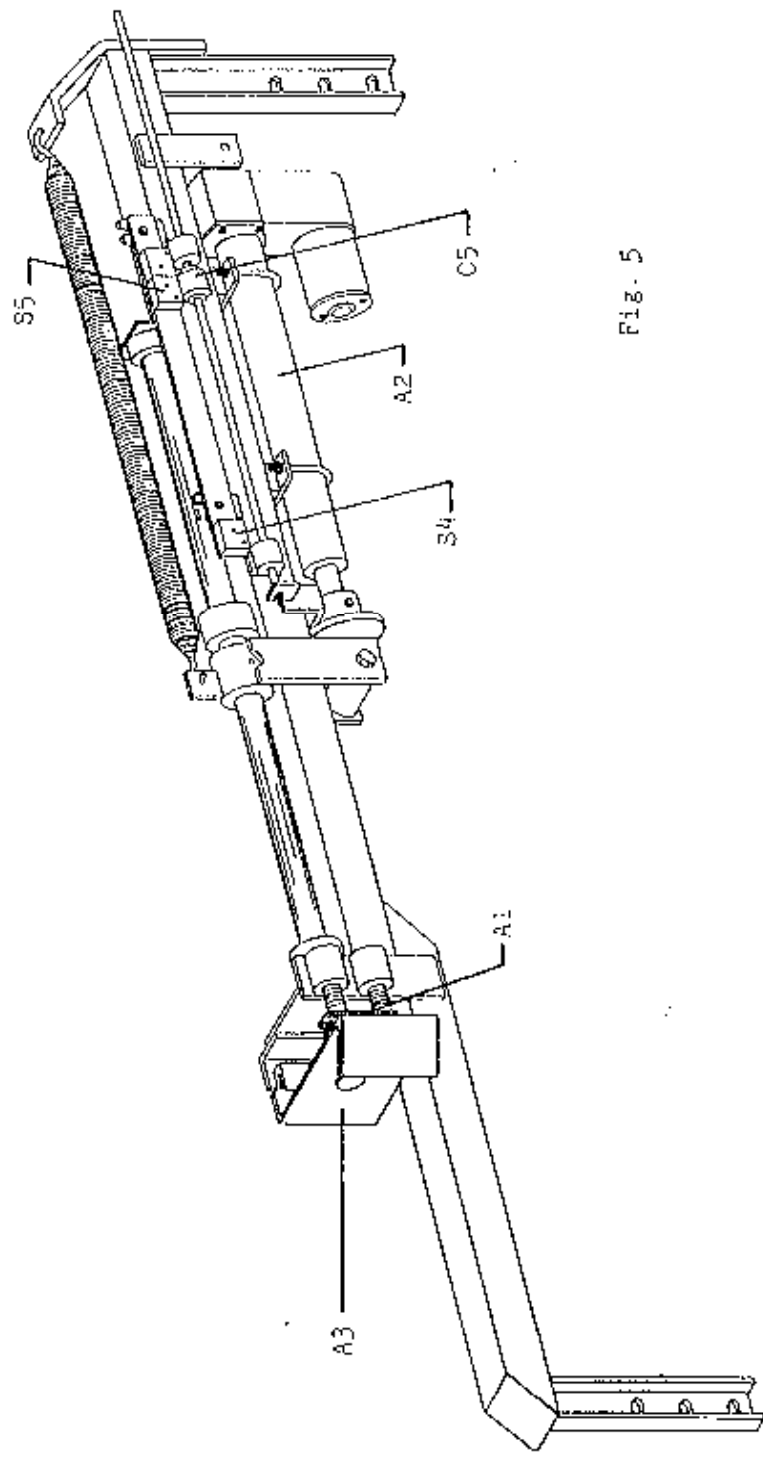


Fig. 5

TANCO AUTOWRAP
CUT AND START UNIT

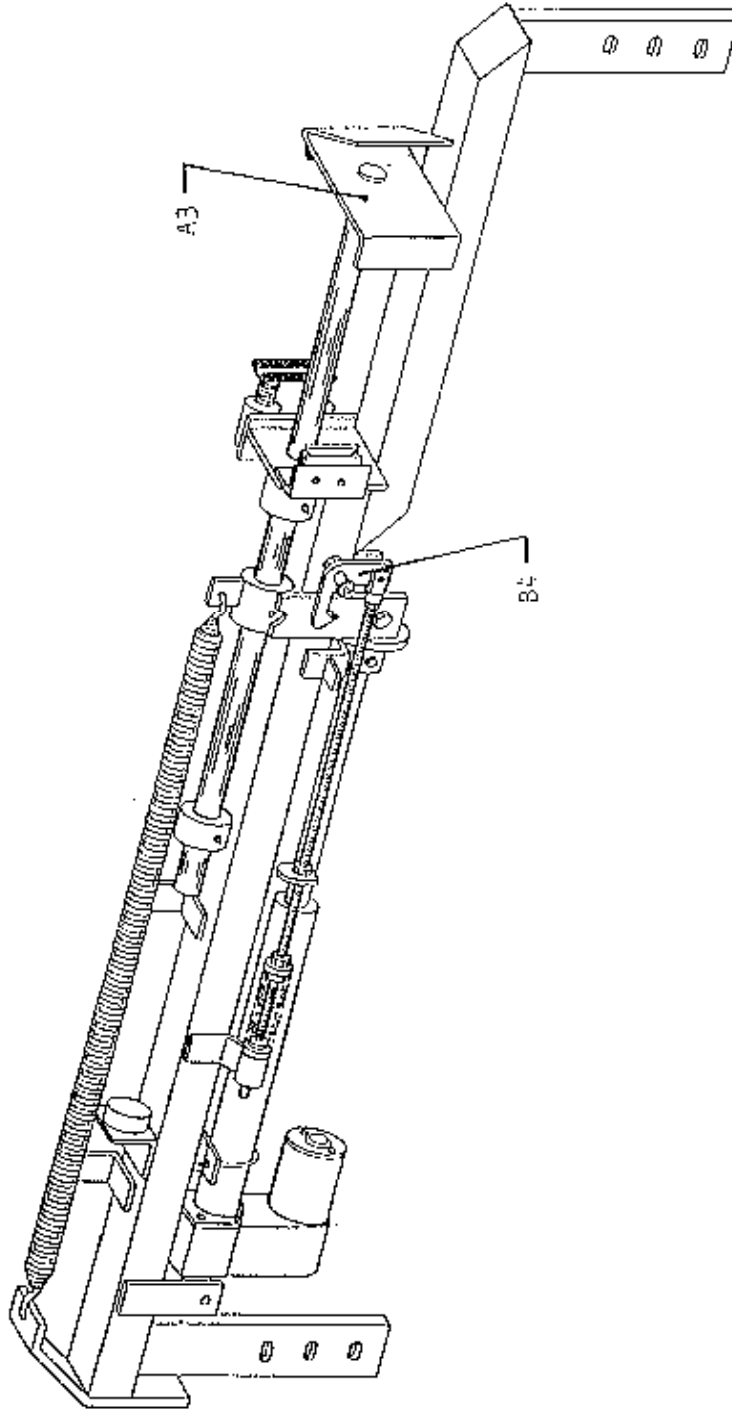


FIG. 6

TANCO AUTOWRAP
CUT AND START UNIT

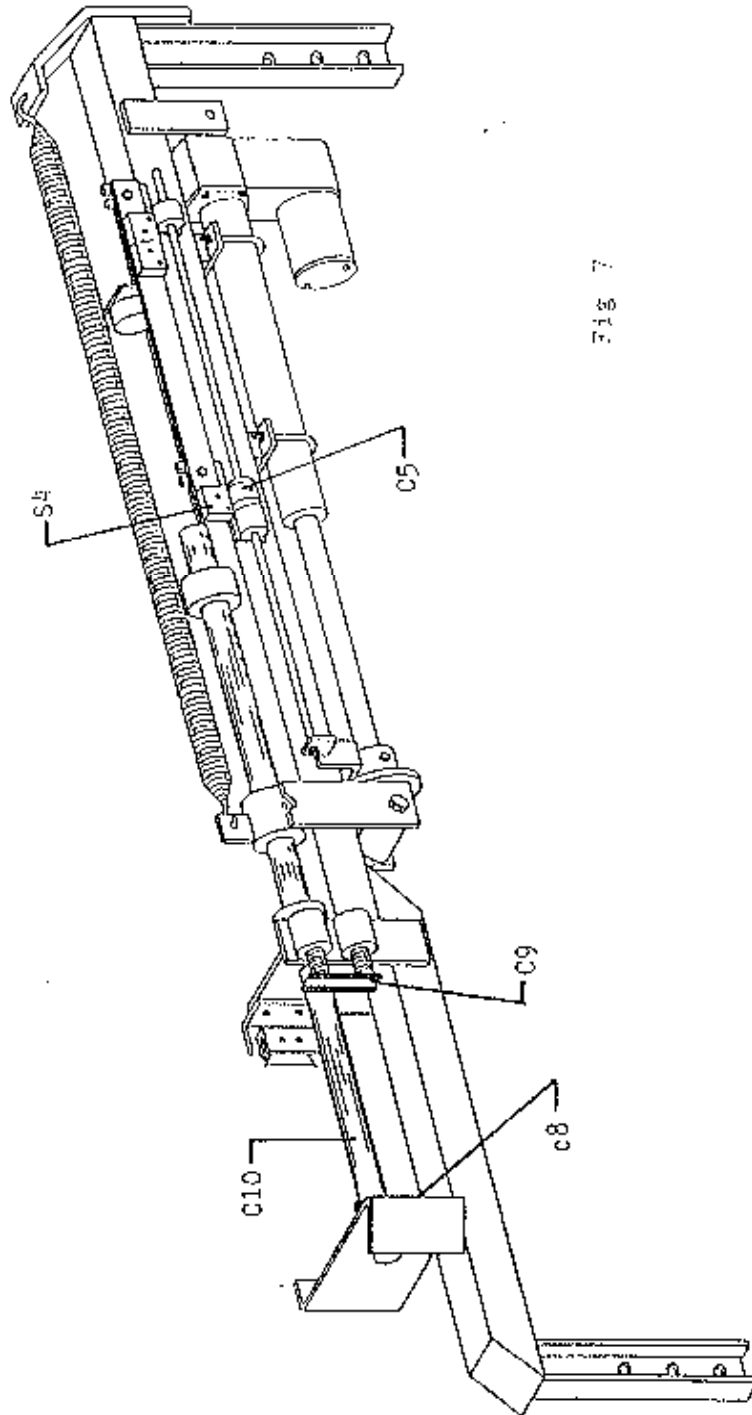


Fig 7

TANCO AUTOWRAP
CUT AND START UNIT

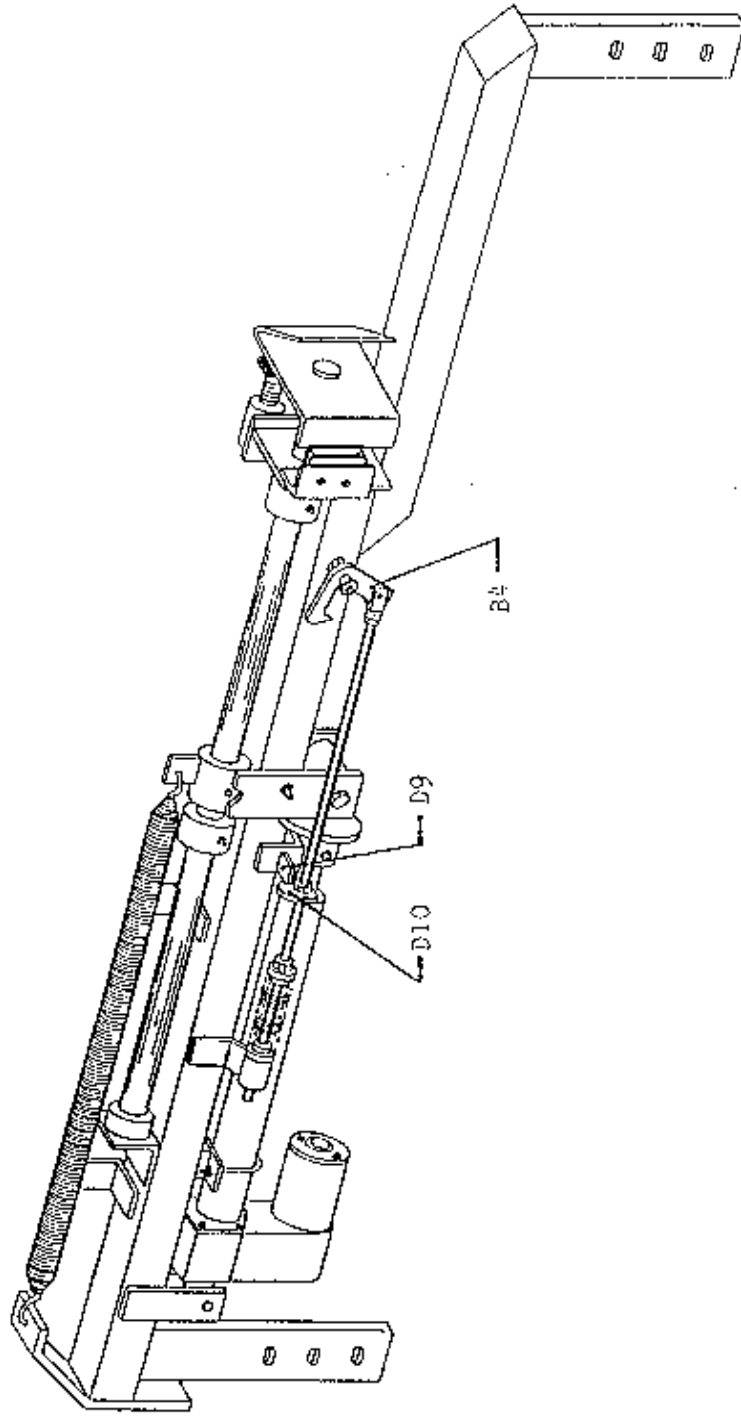
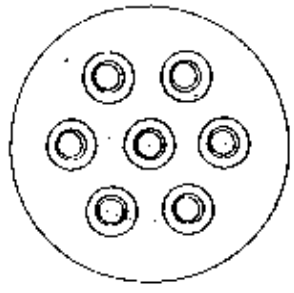


Fig. 3

TANCO AUTOWRAP CUT & START WIRING DIAGRAM FOR SLIP RING & BRUSHES

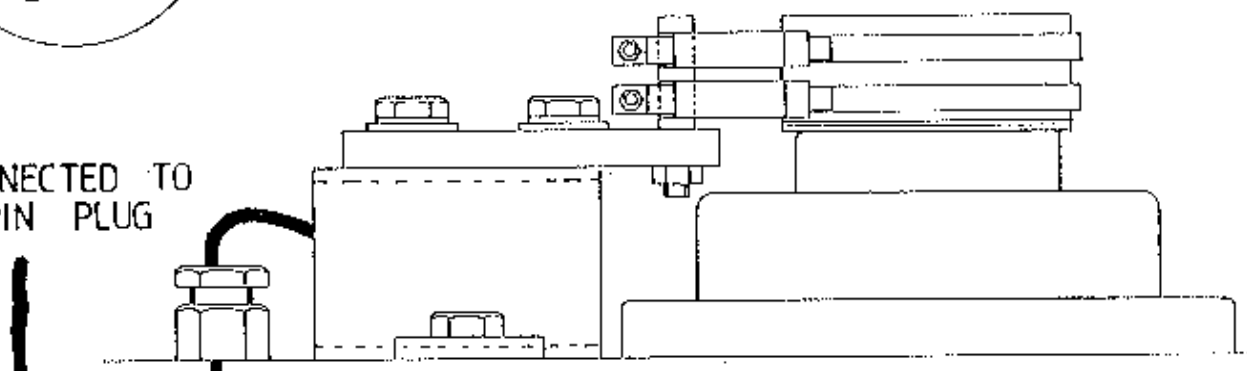
7 PIN PLUG



BLACK WIRE CONNECTED
TO PIN MARKED 31③

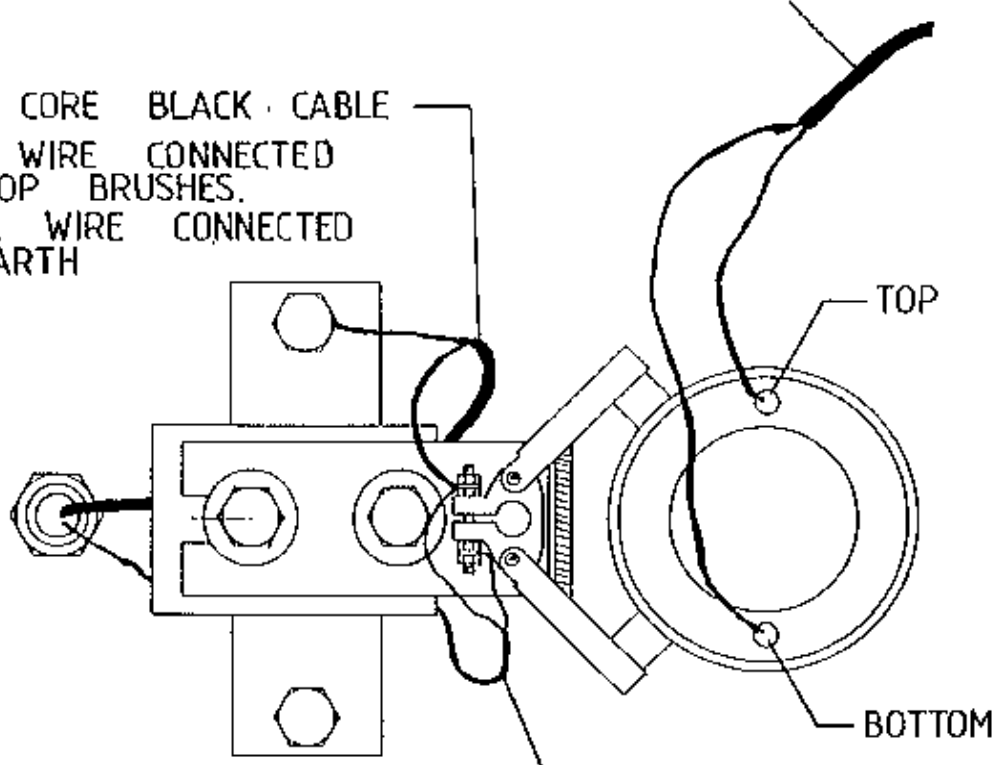
RED WIRE CONNECTED
TO CENTRE PIN

CONNECTED TO
7 PIN PLUG



TWO CORE BLACK CABLE
RED WIRE CONNECTED TO TOP RING
BLACK WIRE CONNECTED TO BOTTOM RING

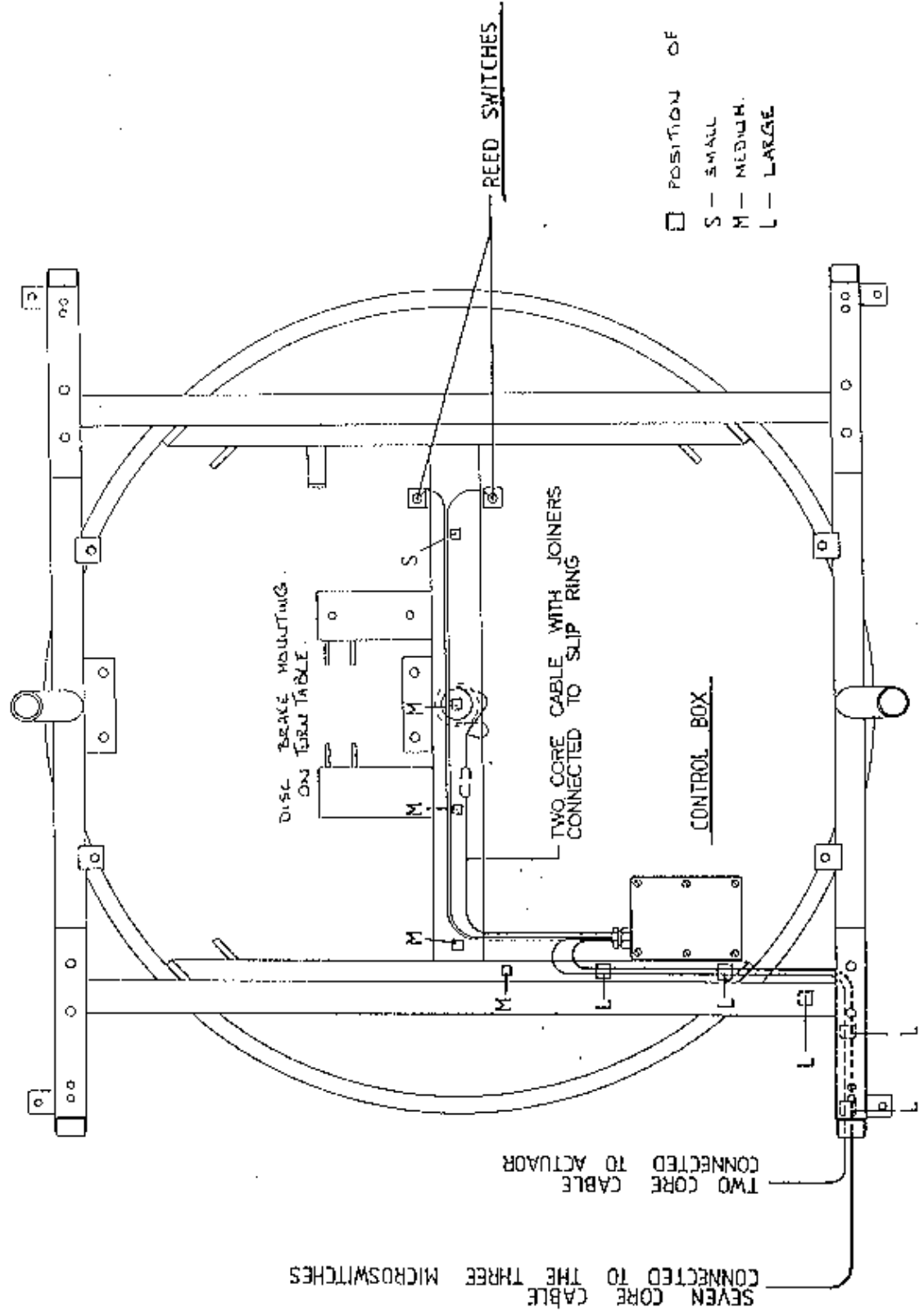
TWO CORE BLACK CABLE
RED WIRE CONNECTED
TO TOP BRUSHES.
BLACK WIRE CONNECTED
TO EARTH



TWO CORE GREY CABLE
WHITE WIRE CONNECTED
TO TOP BRUSHES
BROWN WIRE CONNECTED
TO BOTTOM BRUSHES

TANCO AUTOWRAP CUT & STEEL UNIT

WIRING DIAGRAM FOR TURNABLE



□ POSITION OF CABLE CLIPS (TYPES)
 S — SMALL
 M — MEDIUM
 L — LARGE

SEVEN CORE CABLE CONNECTED TO THE THREE MICROSWITCHES

TWO CORE CABLE CONNECTED TO ACTUATOR

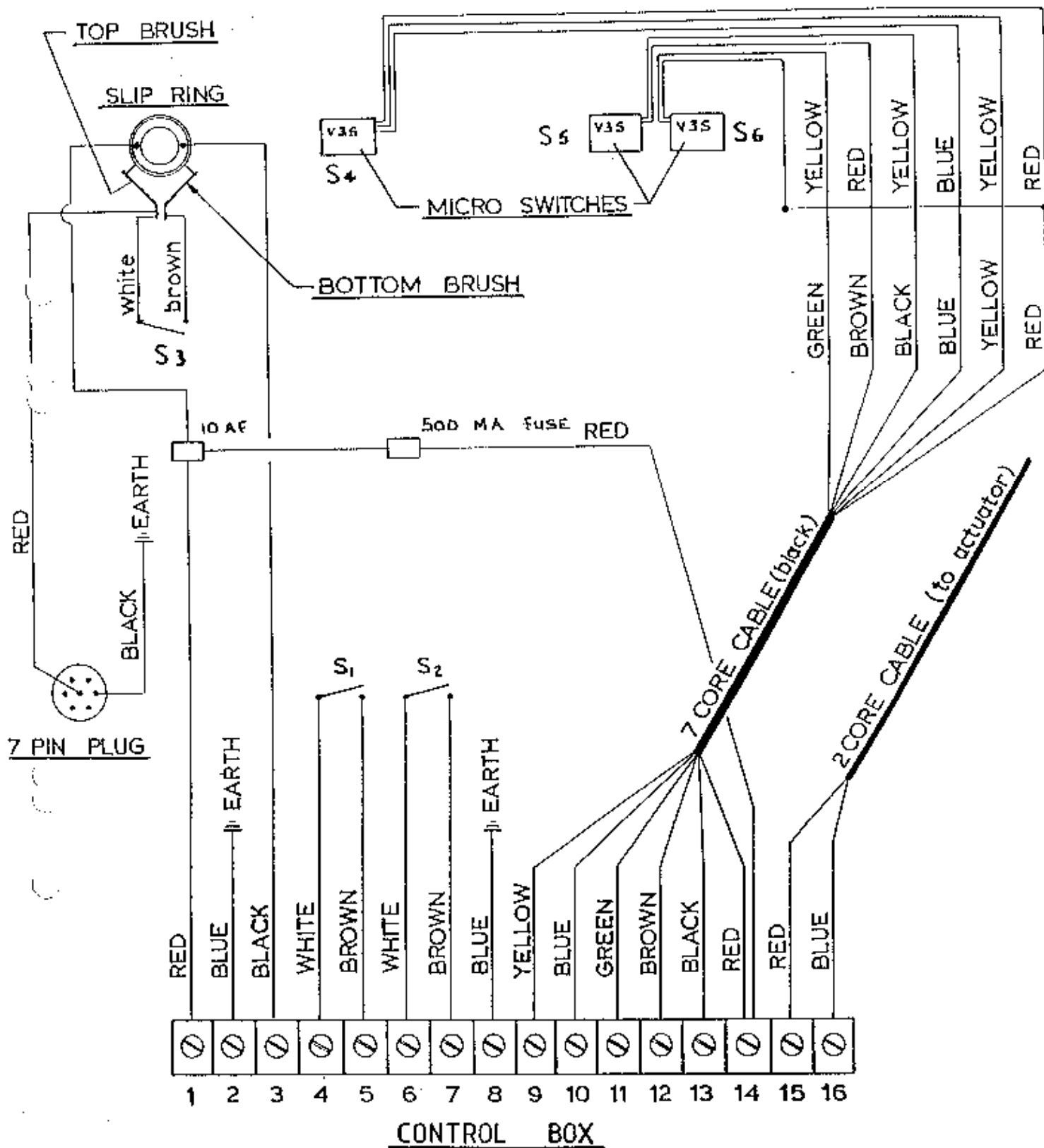
TWO CORE CABLE WITH JOINERS CONNECTED TO SLIP RING

DISC BRAKE MOUNTING ON TURNABLE

CONTROL BOX

REED SWITCHES

TANCO AUTOWRAP CUT AND START UNIT WIRING DIAGRAM



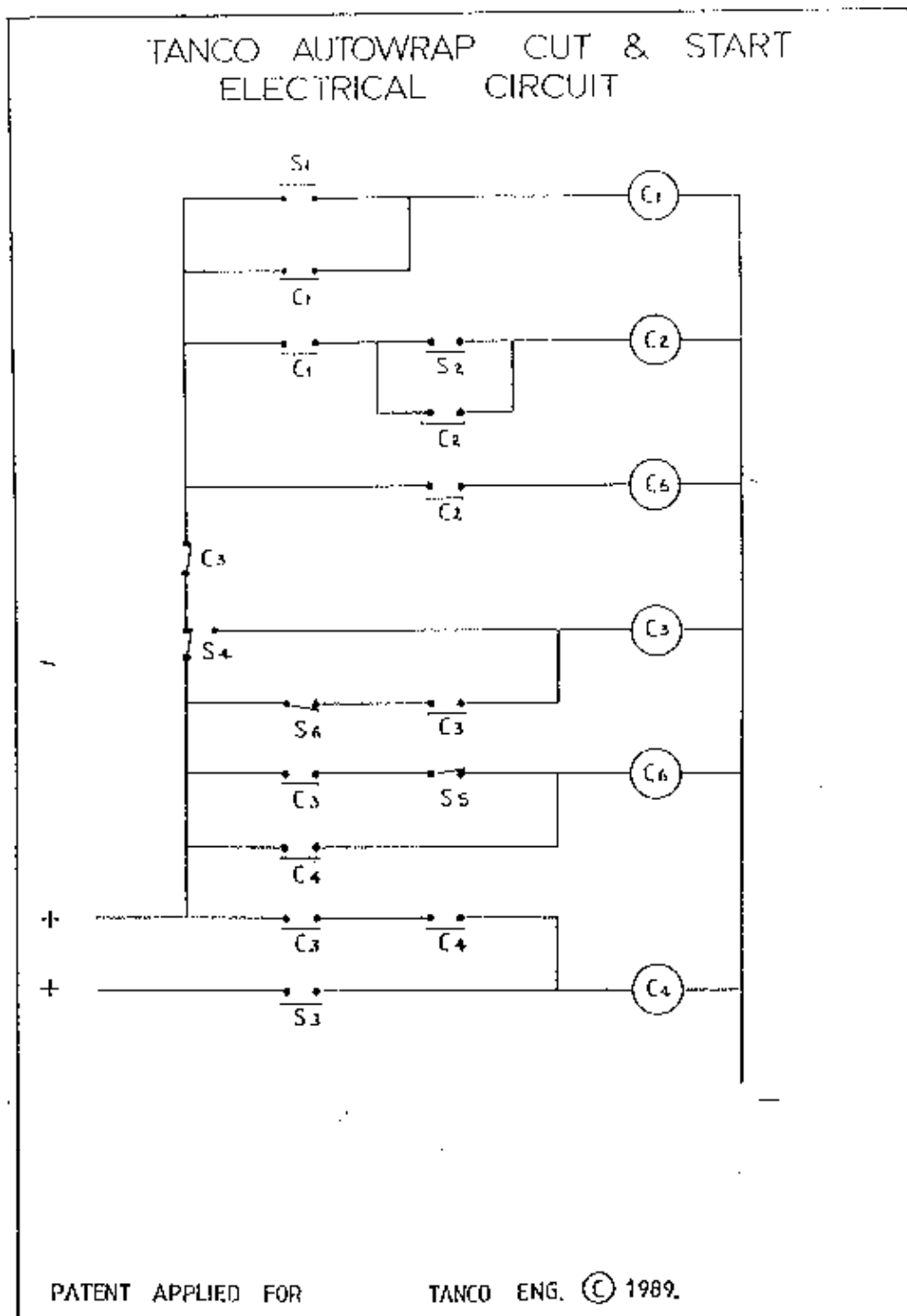
DETAILS OF OPERATION OF ELECTRICAL CIRCUIT

When S1 is closed, it closes C1.

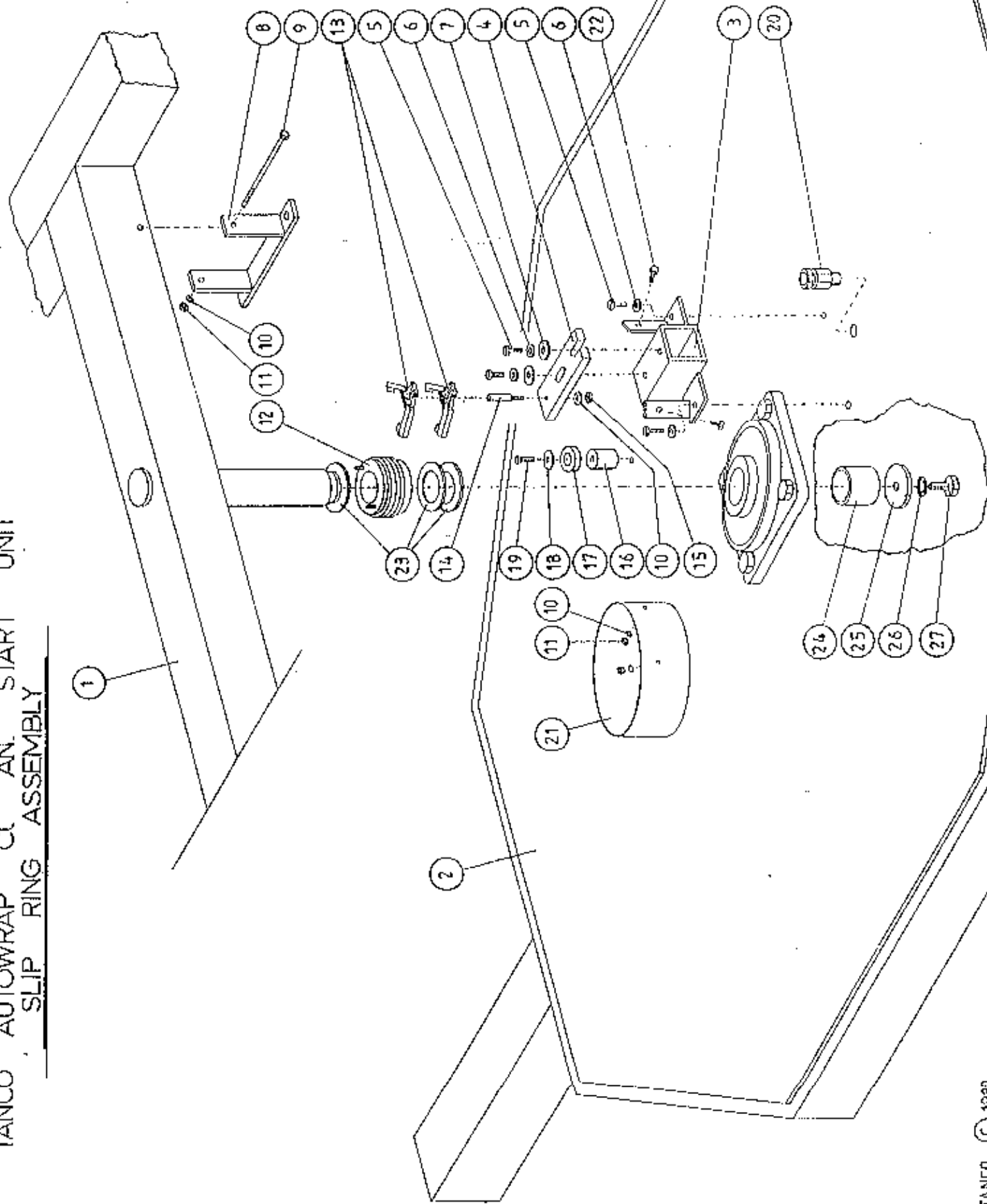
On the next revolution S2 is closed, this closes C2 and C5, this opens the linear actuator, at the end of the stroke the switch cam actuates S4, this stops the actuator and denergises C1, C2, C5 and energises C3 and C6.

This closes the actuator to within about 25mm from home when switch cam actuates S5 and breaks contact, this stops the actuator.

When the table is tipped, S3 is closed, energising C4 and C6, this closes the actuator and switch cam actuates S6, this denergises C3, C4 and C6.



TANCO AUTOWRAP CLAMP AN START UNIT
 SLIP RING ASSEMBLY



TANCO AUTOWRAP CUT AND START UNIT

SLIP RING ASSY.

PARTS LIST

<u>ITEM NO.</u>	<u>DESCRIPTION</u>	<u>QTY.</u>	<u>PART NO.</u>	<u>CODE NO.</u>
1.	TURN TABLE	1		
2.	TIPPING FRAME	1		
3.	SLIP RING MOUNTING BRACKET ASSY.	1	B/R 257 A	
4.	SLIP RING MOUNTING PLATE	1	B/R 270	
5.	M6 HEX HD SET x 20	4		226-039S
6.	8mm DIA SPRING WASHER	4		212-02-08
7.	8mm DIA FLAT WASHER 1" O.D.	2		
8.	SENSOR MOUNTING BRACKET ASSY.	1	B/R 274 A	
9.	M6 HEX HD BOLT x 100mm LONG	1		
10.	6mm DIA FLAT WASHER	4		211-02-06
11.	M6 LOCKNUT (NYLOCK)	3		223-06
12.	SLIP RING ASSY.	1		
13.	BRUSHES	2		20605-300
14.	INSULATOR SLEEVE	1		
15.	1/4" UNF HEX NUT	1		
16.	MAGNET MOUNTING COLLAR	1	B/R 278	
17.	MAGNET 35mm O.D. x 17mm I.D. x 8mm LONG	1		
18.	6mm DIA FLAT WASHER 1" O.D.	1		
19.	M6 CSK SET SCREW x 25mm LONG	1		213-131
20.	CABLE GLAND M16	1		
21.	PLASTIC GUARD	1		
22.	M6 HEX HD SET x 16mm LONG	2		226-016S
23.	INSULATING RINGS	3		20605-350
24.	SPACER	1	B/R 277	
25.	LOCKING COLLAR	1	B/R 276	
26.	10mm DIA SPRING WASHER	1		212-02-10
27.	M10 HEX HD SET x 25mm LONG	1		226-061S

TANGO AUTO WRAP CUT AND START
 SENSOR MOUNTING BRACKET
 MAGNET MOUNTING BRACKET.

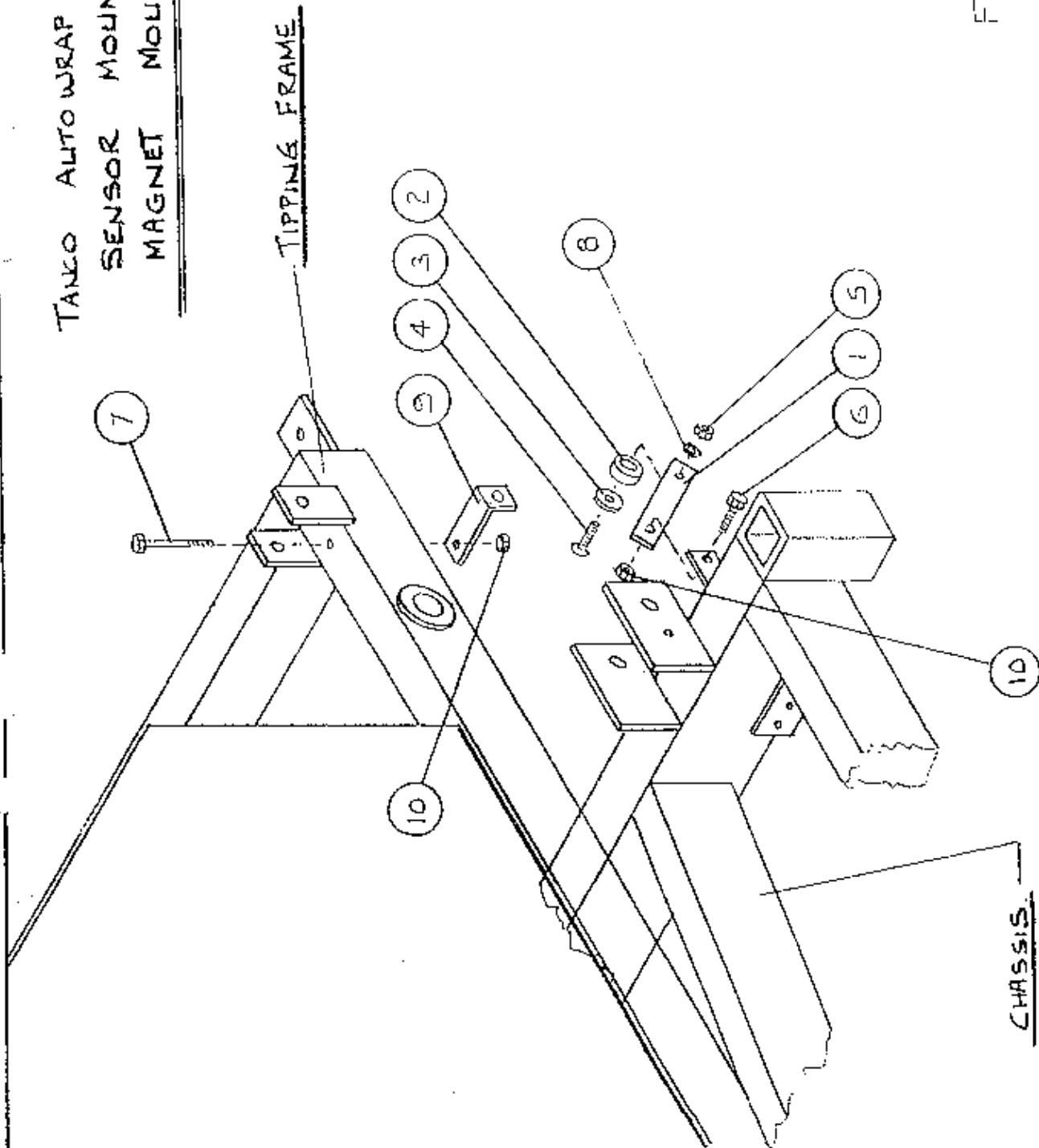


FIG. 6.

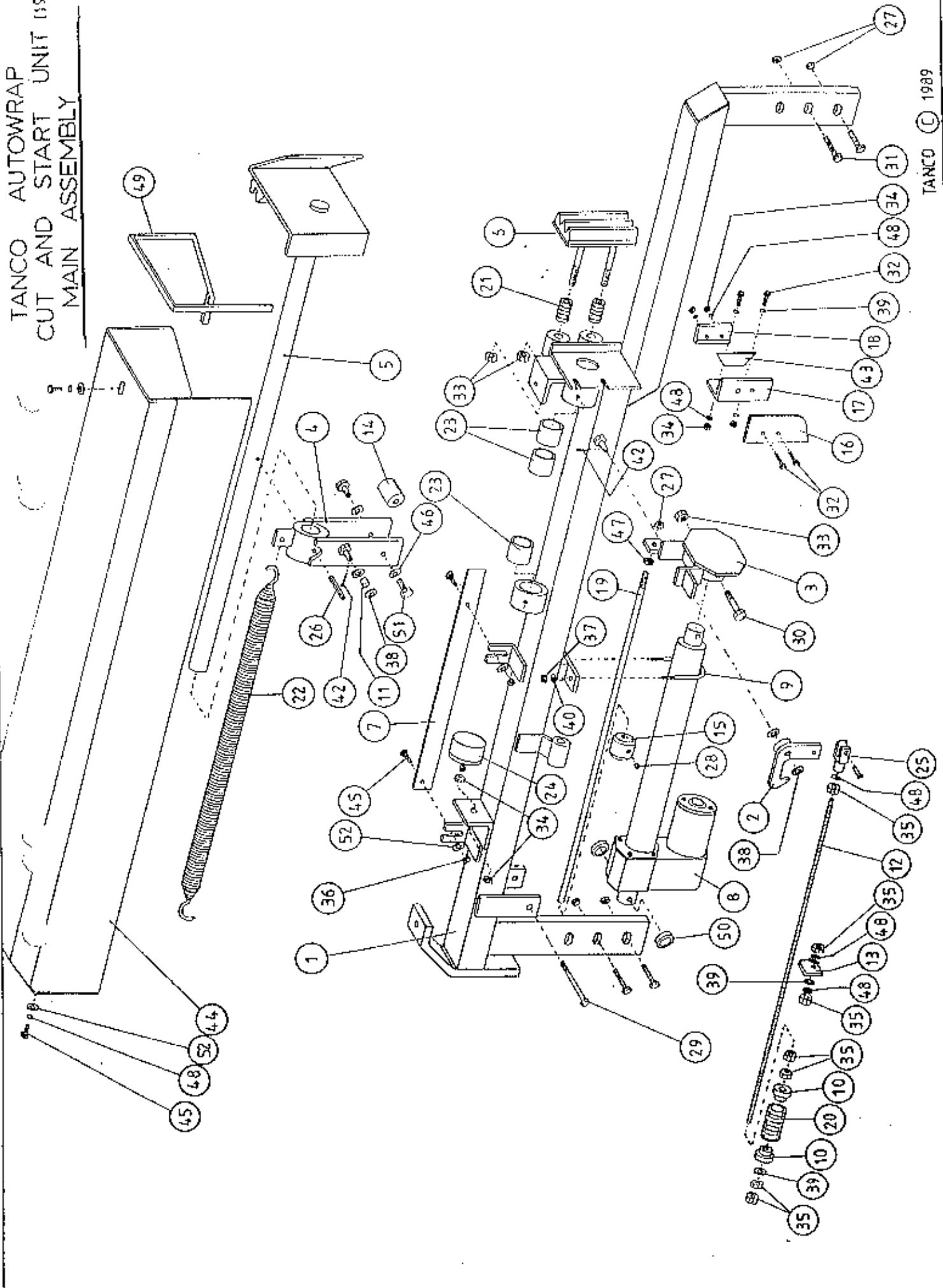
TANGO © 1988.

TANCO AUTOWRAP CUP AND START UNIT
SENSOR AND MAGNET MOUNTING BRACKETS

PARTS LIST

<u>ITEM NO.</u>	<u>DESCRIPTION</u>	<u>QTY.</u>	<u>PART NO.</u>	<u>CODE NO.</u>
1	MAGNET MOUNTING FLAT	1	B/R 272	
2	MAGNET 35mm O.D. x 17mm I.D. x 8mm LONG	1		ZD605-200
3	8mm DIA FLAT WASHER 1" O.D.	1		Z11-02-081
4	M6 CS'K SET SCREW x 25mm	1		Z13-131
5	M8 LOCKNUT (NYLOCK)	1		Z23-06
6	M8 HEX HD SET x 20mm	1		Z26-0205
7	M6 HEX HD BOLT x 1.00	1		Z26-057B
8	6mm DIA FLAT WASHER	1		Z11-02-06
9	SENSOR MOUNTING BRACKET	1	B/R 273	
10	M8 LOCKNUT (NYLOCK)	2		Z23-08

TANCO AUTOWRAP
 CUT AND START UNIT (15991)
 MAIN ASSEMBLY



TANCO © 1989

TANCO AUTOWRAP CUT AND START UNIT

PARTS LIST

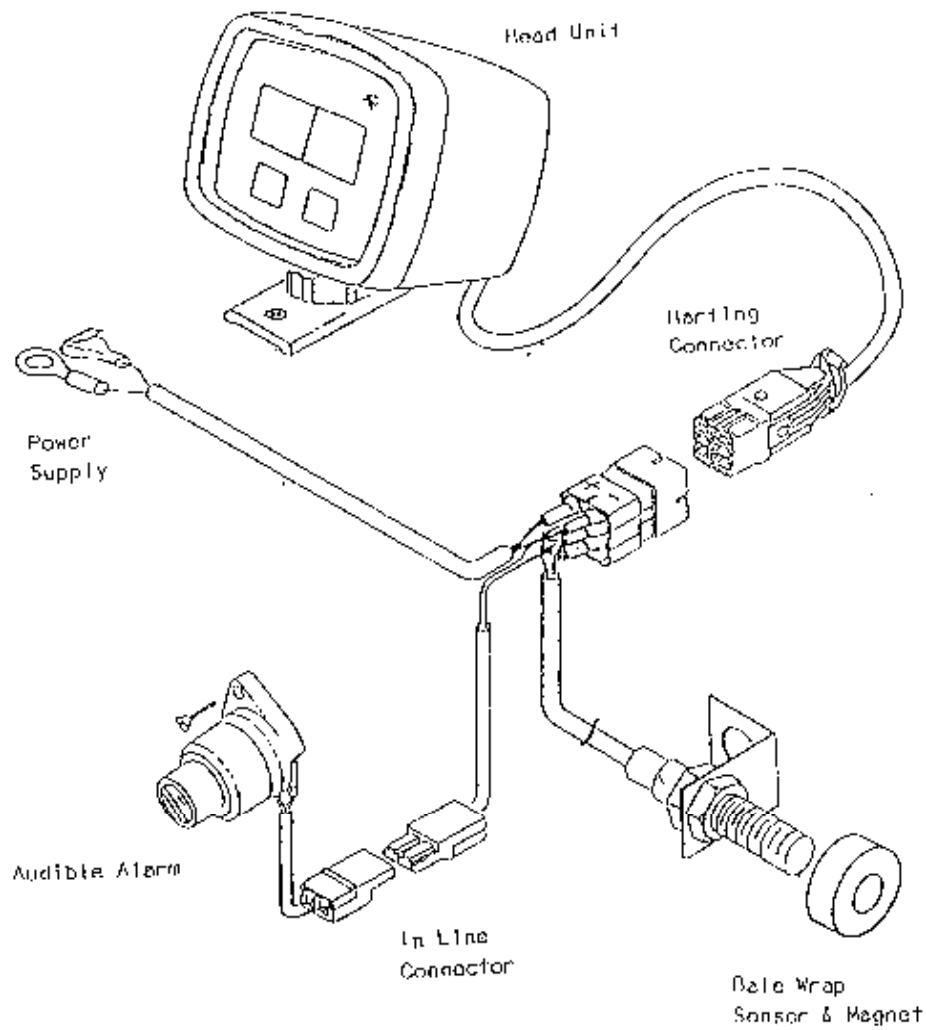
<u>ITEM NO.</u>	<u>DESCRIPTION</u>	<u>QTY.</u>	<u>PART NO.</u>	<u>CODE NO.</u>
1.	MAIN MOUNTING FRAME ASSY.	1	B/R 250 A	
2.	LATCH ASSY.	1	B/R 252 A	
3.	PUSH PLATE ASSY.	1	B/R 253 A	
4.	GUIDE ASSY.	1	B/R 254 A	
5.	PLUNGER ASSY.	1	B/R 255 A	
6.	FILM GRIPPER ASSY.	1	B/R 256 A	
7.	MICRO SWITCH MOUNTING PLATE	1	B/R 258	
8.	WARNER LINEAR ACTUATOR D11 10B5 08 NO CLUTCH 1.2V	1		Z0605-500
9.	"U" BOLT	1	B/R 259	
10.	STEPPED COLLAR	2	B/R 260	
11.	SLEEVE 1/2" DIA O.D. x 13/32" DIA I.D.	1	B/R 261	
12.	THREADED ROUND 5/16" UNF	1	B/R 262	
13.	TRIGGER	1	B/R 263	
14.	COLLAR 1" DIA BRIGHT RD. x 41.5mm LONG	1	B/R 264	
15.	COLLAR 1 1/8" DIA BRIGHT RD.	1	B/R 265	
16.	BLADE GUARD	1	B/R 266	
17.	BLADE MOUNTING BRACKET	1	B/R 267	
18.	BLADE CLAMPING PLATE	1	B/R 268	
19.	10mm BRIGHT RD.	1	B/R 271	
20.	SPRING 16mm O.D. x 1.5mm WIRE x 48mm LONG	1		?
21.	SPRING 16.5mm O.D. x 1.5mm WIRE x 40mm LONG	2		
22.	SPRING 25mm O.D. x 2.5mm WIRE x 325mm	1		
23.	OILITE OIL RETAINING BUSH 1 1/8" O.D. x 3/4" I.D. x 1" L.	3		
24.	RUBBER BUFFER 40mm DIA	1		Z40-24
25.	CLEVIS C/W PIN	1		Z49-33
26.	1 1/2" x 1/4" DIA TENSION PIN	1		Z03-20-07
27.	M10 LOCKNUTS	5		
28.	M6 GRUB SCREW	1		
29.	M12 HEX HD BOLT x 65mm	1		Z26-0882B
30.	M12 HEX HD BOLT x 50mm	1		Z26-086B
31.	M10 HEX HD SET x 30mm	4		Z26-062S
32.	M8 HEX HD SET x 25mm	4		Z26-025S
33.	M12 BINK LOCKNUT	4		Z23-12
34.	M8 HEX NUT	6		Z18-08

TANCO AUTOWRAP CUT AND START UNIT

PARTS LIST

<u>ITEM NO.</u>	<u>DESCRIPTION</u>	<u>QTY.</u>	<u>PART NO.</u>	<u>CODE NO.</u>
35.	5/16" UNF HEX NUT	7		Z15-05
36.	M8 LOCKNUT	2		Z18-08
37.	M6 LOCKNUT (NYLOCK)	2		Z23-16
38.	10mm DIA FLAT WASHER	10		Z11-02-10
39.	8mm DIA FLAT WASHER	5		Z11-02-08
40.	6mm DIA FLAT WASHER	2		Z11-02-06
41.	3mm DIA SPLIT PIN	2		
43.	BLADE	1		
44.	MAIN GUARD	1	B/R 269 A	
45.	M8 HEX HD SET x 20mm LONG	4		Z26-020S
46.	10mm DIA SPRING WASHER	2		Z12-02-10
47.	M10 HEX NUT	1		Z18-10
48.	8mm DIA SPRING WASHER	9		Z12-02-08
49.	JOHN DEERE LIGHTS EDGING	1		
50.	SPACER 1" O.D. x 1/2" I.D. x 6mm LONG	2	B/R 275	
51.	M10 HEX HD SET x 20mm	2		Z26-060S
52.	8mm DIA FLAT WASHER 1" O.D.	4		Z11-02-081

Fig 2 General Arrangement Bale Wrap Monitor



NOTE:

SEE SEPERATE INSTRUCTION MANUAL
FOR BALE WRAP MONITOR