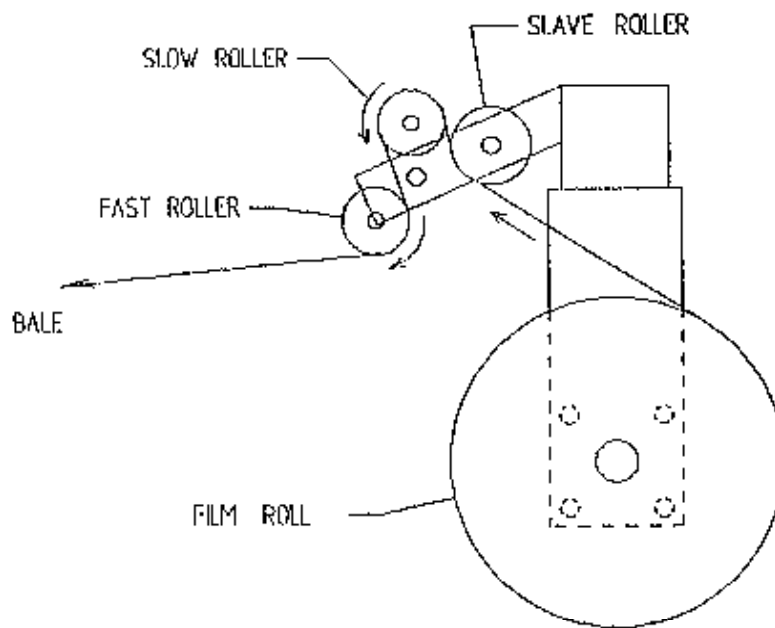


**TANCO AUTOWRAP  
200 ARC8 MODEL 1994  
OPERATORS HANDBOOK  
AND  
PARTS LIST  
WD65-200-ARC8-M0894**

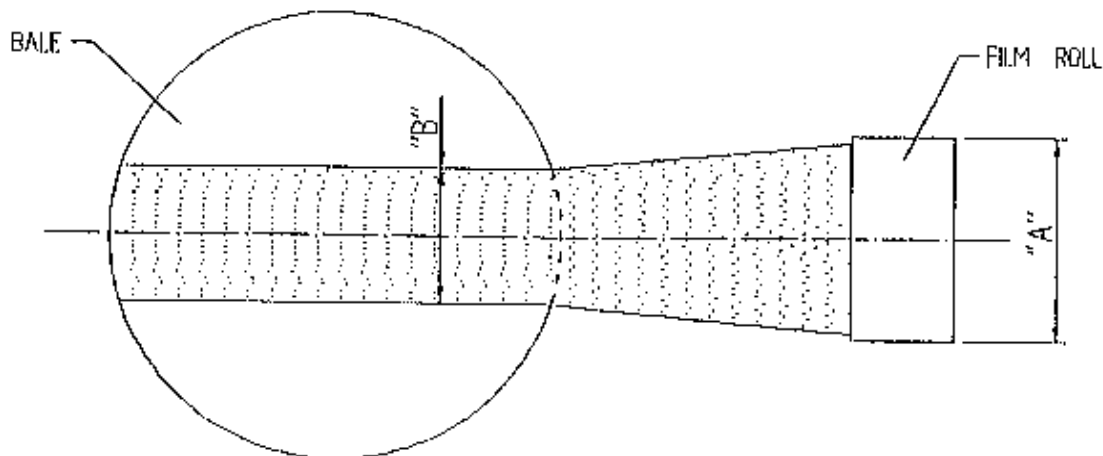


# TANCO AUTOWRAP FILM THREADING DIAGRAM



## FILM ADJUSTMENT

CENTRE OF FILM ROLL MUST BE IN LINE WITH CENTRE OF BALE AND FILM MAST SHOULD BE VERTICAL.



FILM ROLL WIDTH "A"	FILM WIDTH ON END OF BALE "B"
500 mm	400 mm
750 mm	600 mm

Fig. 1

FILE NAME W060-LA21

# TANCO AUTOWRAP 1994 DRIVE BELT TENSIONING SYSTEM

## BELT TENSIONING PROCEDURE

1. CHECK THAT HYDRAULIC MOTOR MOUNTING BRACKET IS SECURE IN POSITION.
2. LOOSEN M10 BELT WHICH CLAYS'S BELT TENSIONER BODY TO MOTOR MOUNT.
3. TENSION BELT BY ADJUSTING TENSIONER USING SPANNER IN DIRECTION OF ARROW "X" UNTIL SETTING  $C=30$  IS REACHED.
4. RE-TIGHTEN M10 BOLT TO SECURE TENSIONER IN POSITION.

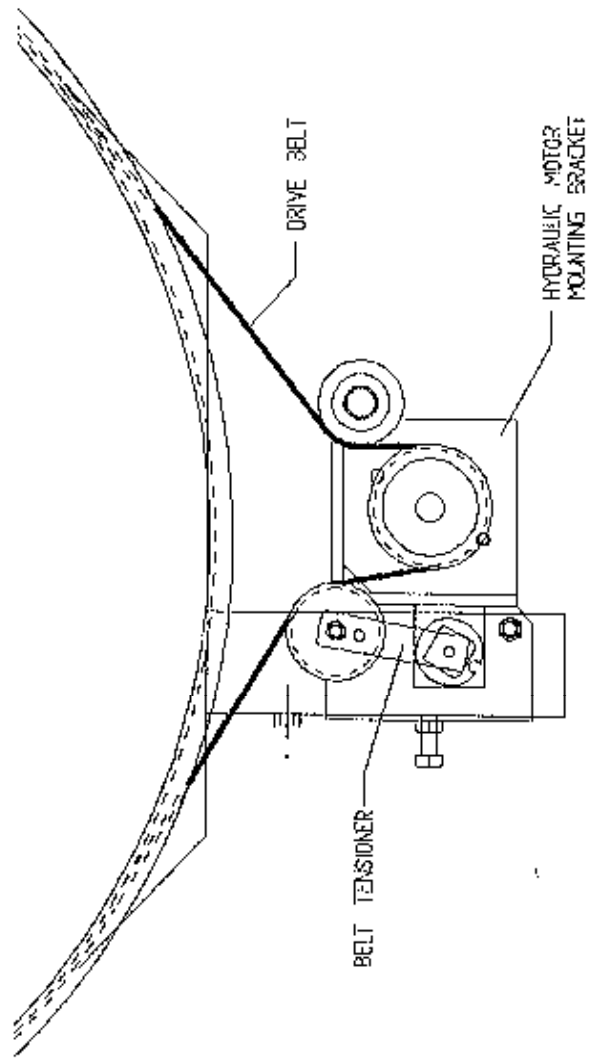
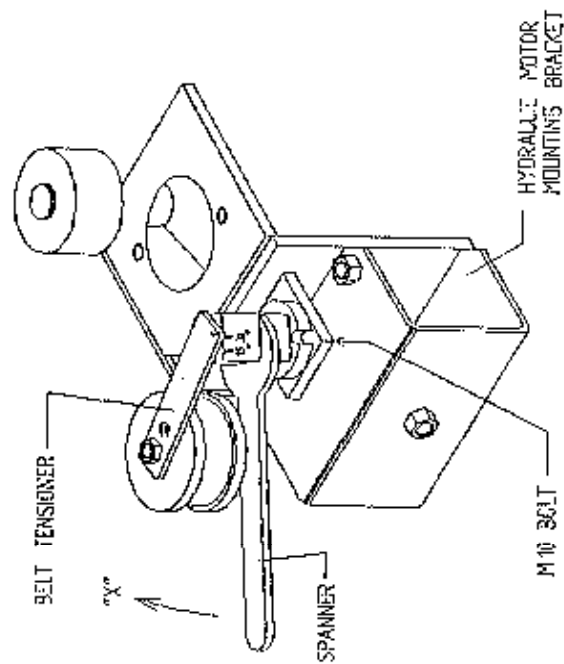


Fig. 3

# TANCO AUTOWRAP CONSTANT INDEXING PRIMARY CHAIN DRIVE TENSIONING SYSTEM

## CHAIN TENSIONING PROCEDURE

1. LOOSEN M10 BOLT SECURING BELT TENSIONER.
2. TENSION BELT BY ADJUSTING TENSIONER USING SPANNER IN DIRECTION OF ARROW "X" UNTIL SETTING OF 15-20 IS REACHED.
3. RE-TIGHTEN M10 BOLT TO SECURE TENSIONER IN POSITION.

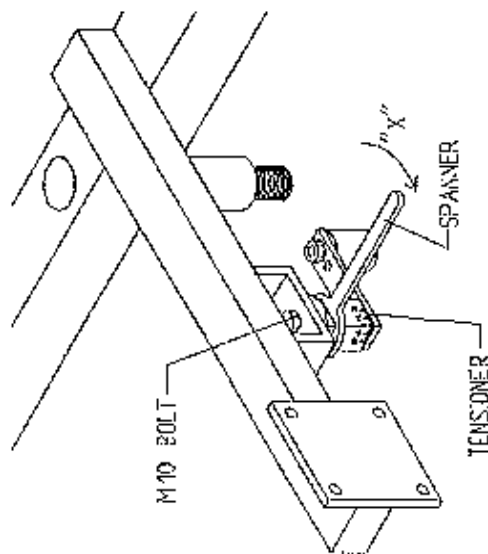
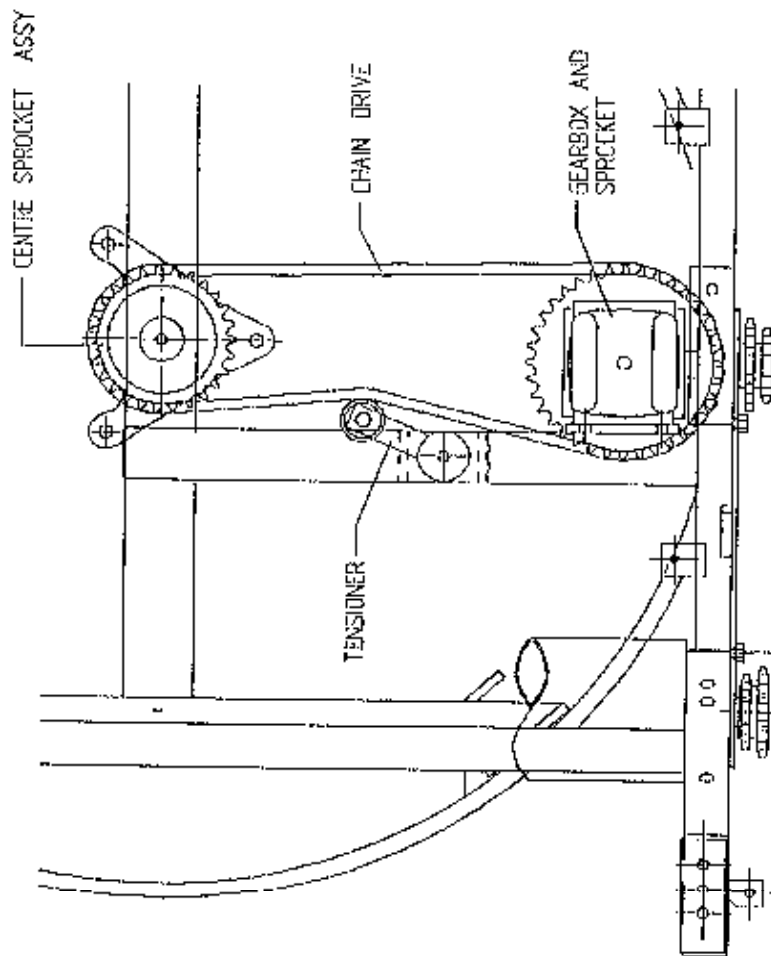
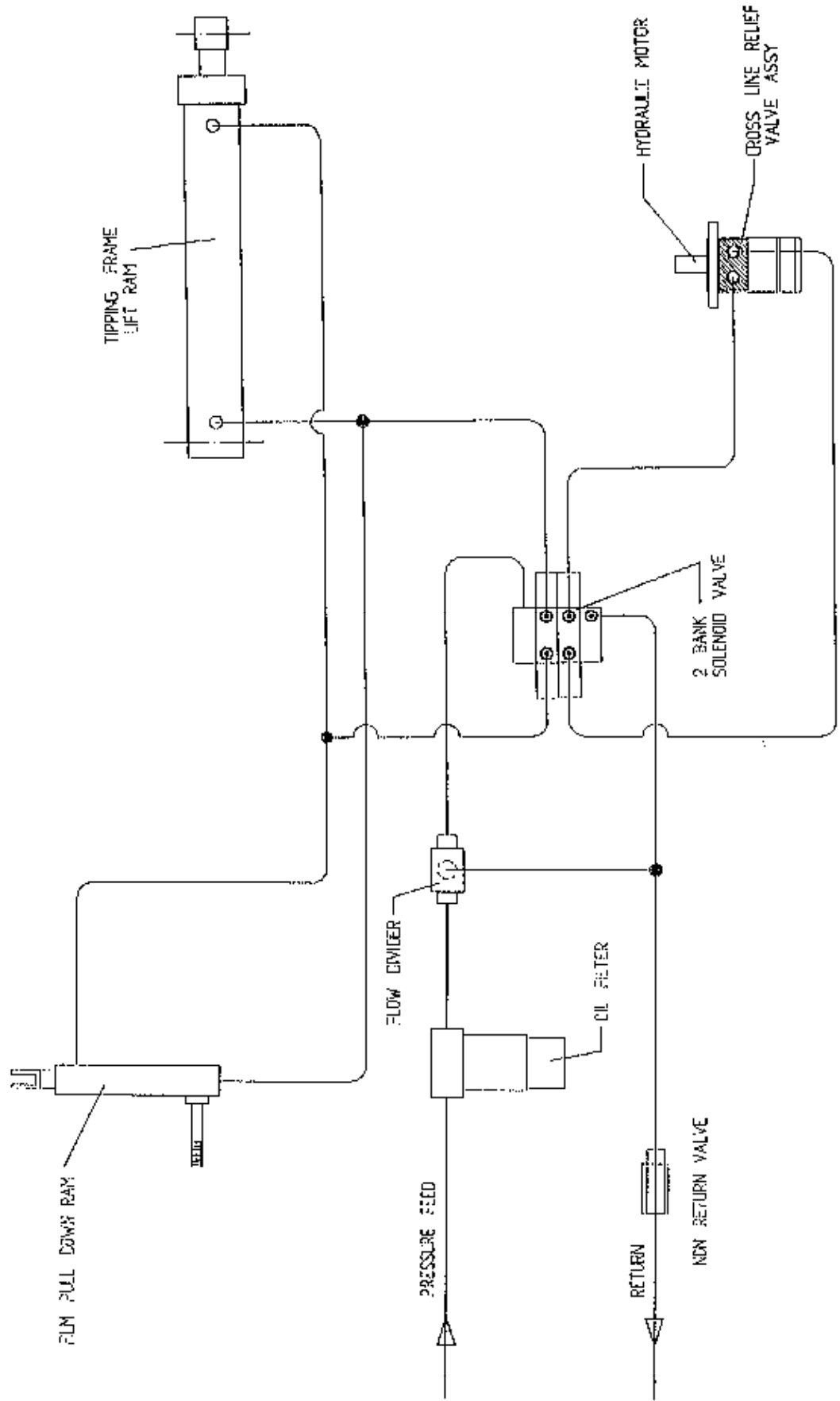
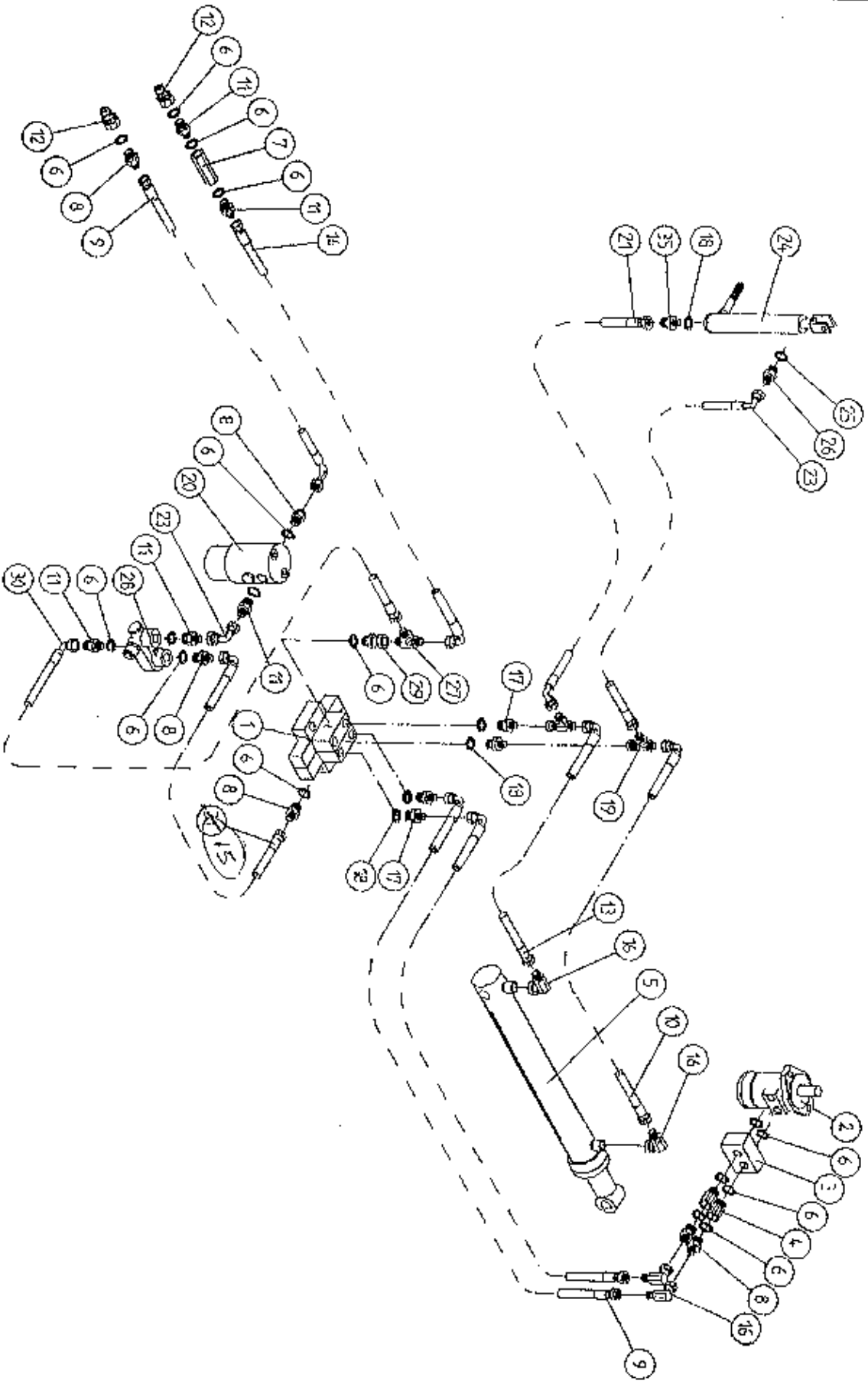


Fig. 2

# TANCO AUTOWRAP 200 ARC/1050 LRC/1250 LRC MODEL HYDRAULIC CIRCUIT DIAGRAM



TANCO AUTOWRAP 200 ARC/1050LRC/1250LRC MODEL  
 HYDRAULIC COMPONENTS



TANCO AUTOWRAP 200 ARC / 1050 LRC/ 1250 LRC MODELS  
HYDRAULIC COMPONENTS

PARTS LIST

ITEM NO	DESCRIPTION	QTY.	PART-NO.
1.	2 BANK SPOOL SOLENOID VALVE	1	Z01-03-10-A2
2.	HYDRAULIC MOTOR (C.L.)	1	Z01-02-AR75
3.	CROSS LINE RELIEF VALVE	1	Z01-03-002
4.	1/2" B.S.P. BOTTOM BANJO BOLT (SPECIAL)	2	Z01-18-081
5.	HYD. RAM (TIPPING FRAME)	1	Z01-01-AR687
6.	1/2" DOWTY WASHER	19	Z01-04-03
7.	1/2" NON RETURN VALVE	1	Z01-03-017
8.	1/2" x 3/8" ADAPTOR	9	Z01-06-06-08
9.	72" ST/90 3/8" D/W HOSE	3	Z38-R2-72-S9
10.	48" ST/90 3/8" D/W HOSE	1	Z38-R2-48-S9
11.	1/2" x 1/2" ADAPTOR	3	Z01-06-08-08
12.	1/2" MALE END Q/R COUPLING	2	Z01-15-081
13.	36" ST/90 3/8" D/W HOSE	1	Z38-R2-36-S9
14.	96" ST/90 1/2" D/W HOSE	1	Z12-R1-96-S9
15.	30" ST/90 3/8" D/W HOSE	1	Z38-R2-30-S9
16.	3/8" MALE/FEMALE 90 ELBOW	4	Z01-14-015
17.	3/8" x 3/8" ADAPTOR	5	Z01-06-06-06
18.	3/8" DOWTY WASHER	5	Z01-04-02
19.	3/8" MALE x 3/8" MALE x 3/8" FEMALE 'T' PIECE	2	Z01-12-002
20.	FILTER	1	Z01-24-08
21.	84" ST/90 3/8" D/W HOSE	1	Z38-R2-84-S9
22.	3/8" X 3/8" ADAPTOR FITTED WITH 0.06" RESTRICTOR	1	Z01-03-40
23.	96" ST/90 3/8" D/W HOSE	1	Z38-R2-96-S9
24.	HYD RAM D/A (PULL DOWN ARM)	1	Z01-01-AW25
25.	1/4" DOWTY WASHER	1	Z01-04-01
26.	1/4" x 3/8" ADAPTOR	1	Z01-06-04-06
27.	1/2" MALE "T" PIECE	1	Z01-11-003
28.	INLINE FLOW DIVIDER	1	Z01-03-10-A7
29.	1/2" MALE x 1/2" FEMALE ADAPTOR	1	Z01-05-08-08
30.	20" ST/90 1/2" D/W HOSE	1	Z12-R2-19-S9



2 20

2 20

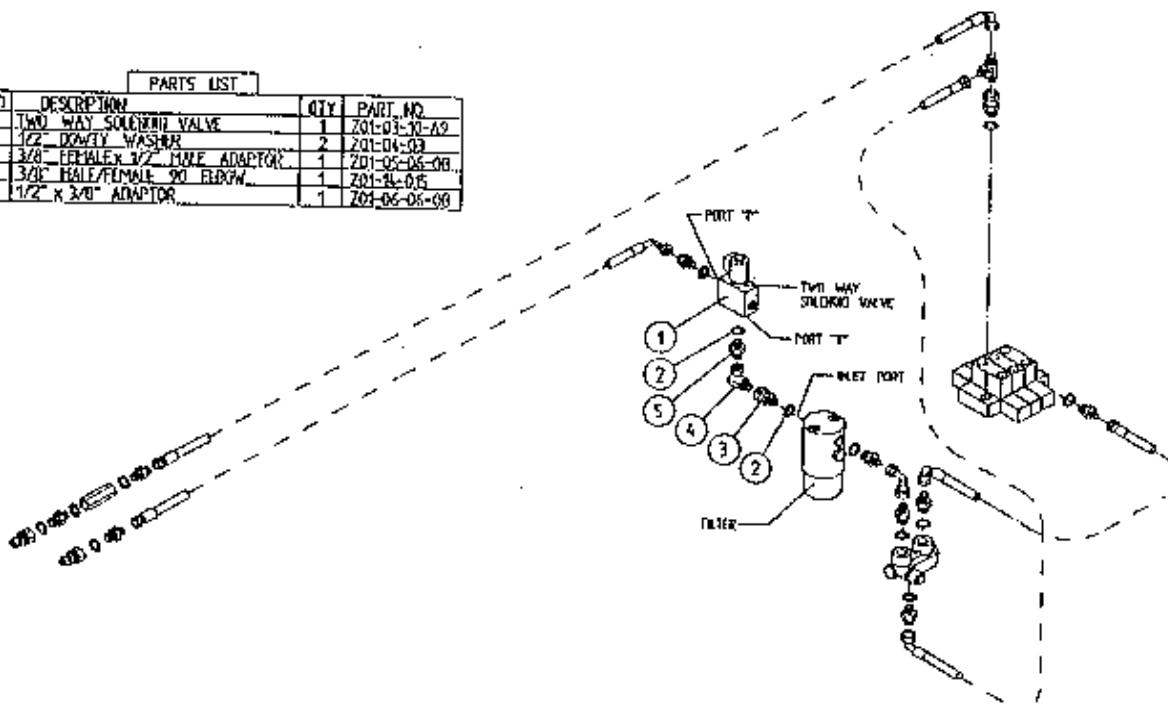
**INSTRUCTIONS FOR FITTING TWO WAY SOLENOID VALVE TO TANCO AUTOWRAP MODELS 200 ARC, 1050 LRC, 1250 LRC.**

**REQUIRE WHEN OPERATING MACHINES ON TRACTORS WITH CLOSED CENTRE HYDRAULIC SYSTEMS.**

1. Disconnect S/90 hose from inlet port on oil filter.
2. Connect port "T" on solenoid valve assembly to inlet port on oil filter.
3. Reconnect St/90 hose to port "P" on solenoid valve.
4. Connect 2 pin female connector to existing 2 pin connector at junction box.
5. Ensure valve assembly does not foul any rotating parts.
6. Change the seventh controller function setting from n to j  
See instruction manual for further information.

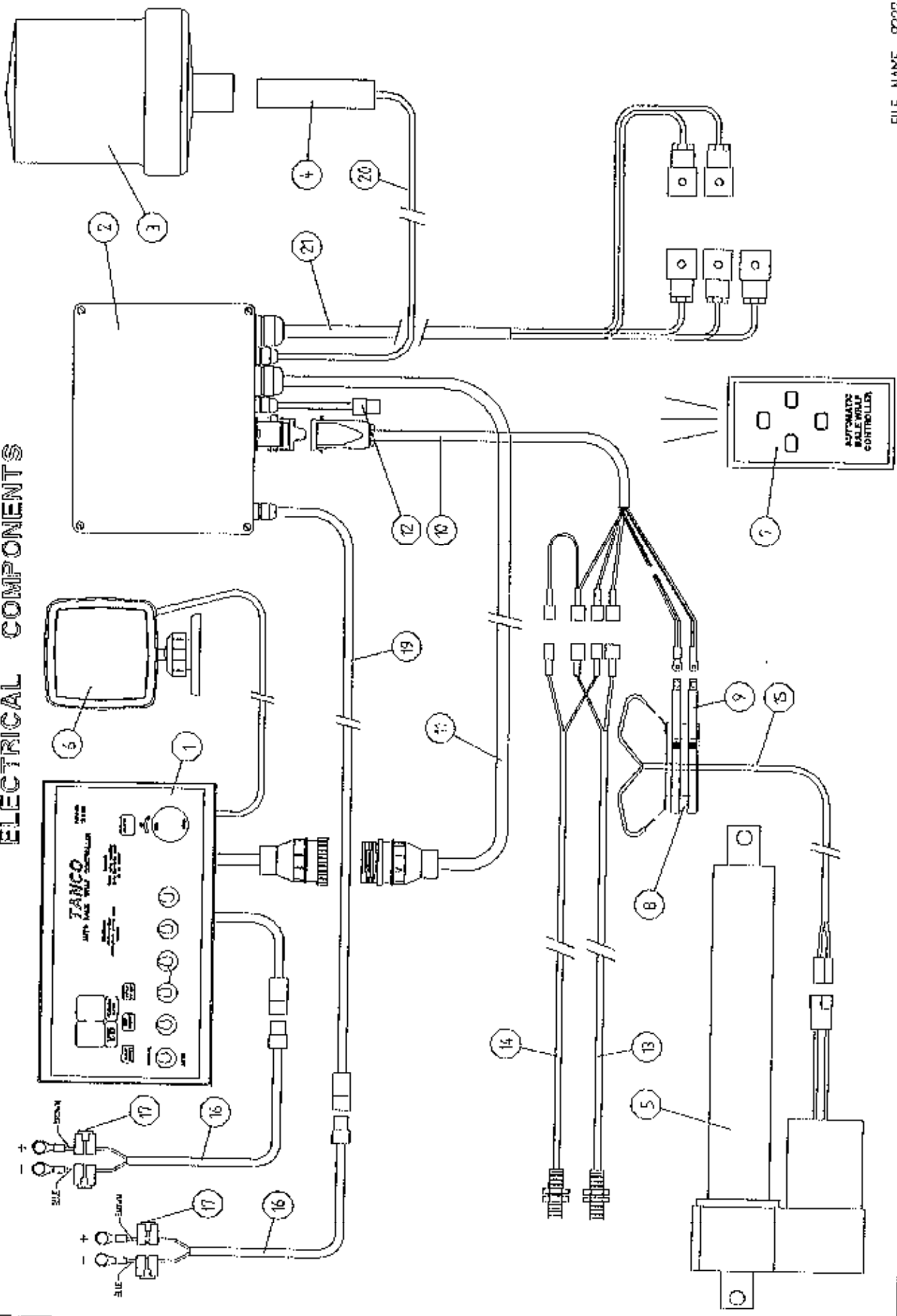
**TANCO AUTOWRAP 200ARC/1050ARC/1250ARC MODEL (1994)  
TWO WAY SOLENOID VALVE KIT PART NO. Z01-03-018A**

PARTS LIST			
ITEM NO	DESCRIPTION	QTY	PART NO
1	TWO WAY SOLENOID VALVE	1	Z01-03-31-A9
2	1/2" DOWTY WASHER	2	Z01-04-03
3	3/8" FEMALE 1/2" NIPPLE ADAPTOR	1	Z01-05-05-00
4	3/8" MALE/FEMALE 90 ELBOW	1	Z01-31-015
5	1/2" X 3/8" ADAPTOR	1	Z01-06-06-00



FILE NAME 9220L

TANCO AUTOWRAP 200ARC/1050LRC/1250LRC MODELS (1994)  
ELECTRICAL COMPONENTS



9227E

TANCO AUTOWRAP 200ARC/1050LRC/1250LRC MODELS 1994

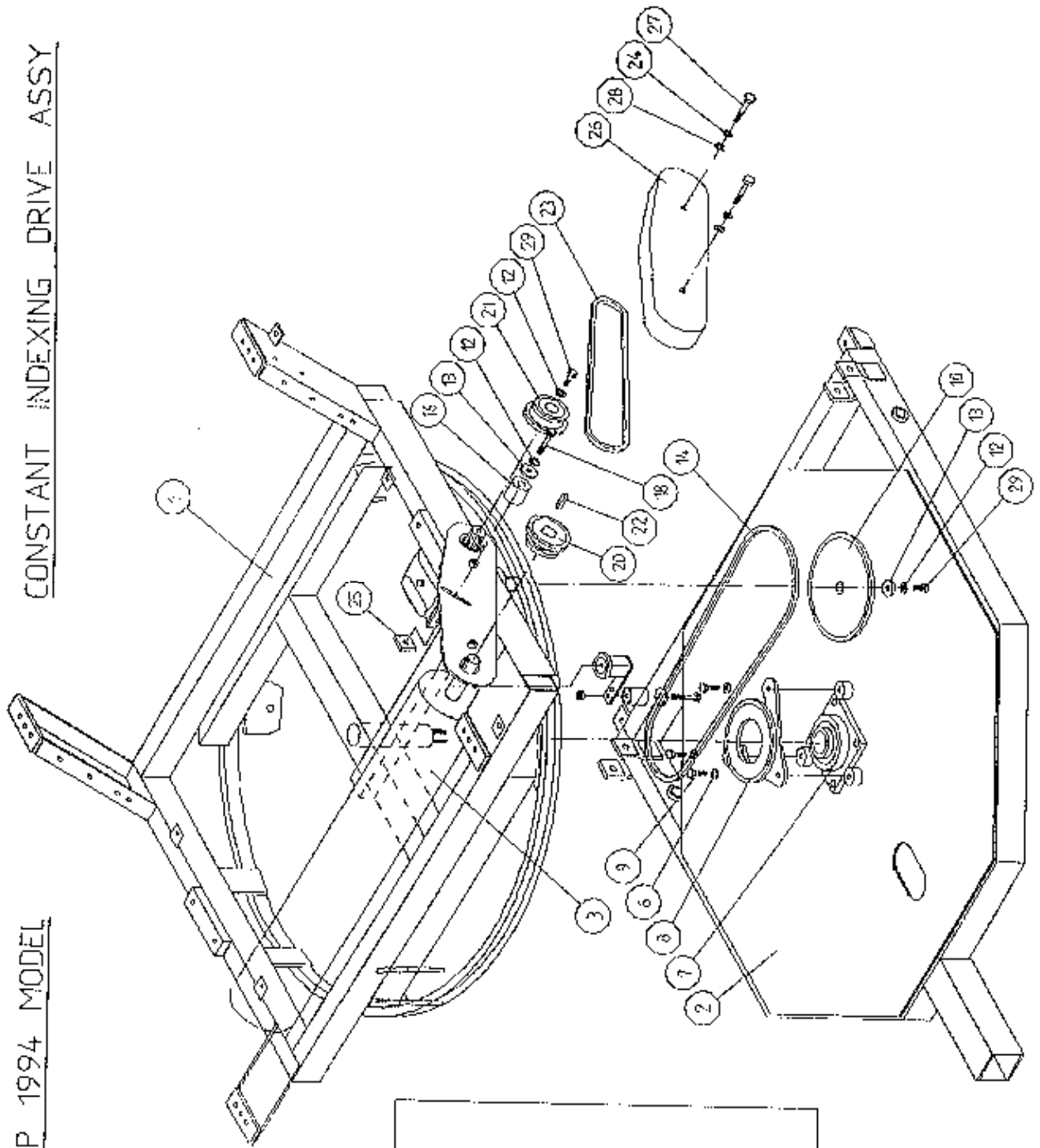
ELECTRICAL COMPONENTS

PARTS LIST.

ITEM NO.	DESCRIPTION	QTY.	PART-NO.
1.	CONTROL BOX	1	D606
2.	JUNCTION BOX (2 BANK VALVE)	1	ZDG-JB2
3.	ROTATING BEACON	1	Z05-18
4.	STEM	1	Z05-181
5.	WARNER LINEAR ACTUATOR	1	ZD605-510
6.	RECEIVER	1	D6071
7.	INFRA RED REMOTE CONTROL TRANSMITTER	1	D6072
8.	SLIP RING ASSY.	1	ZD605-308
9.	BRUSHES	1	ZD605-302
10.	7 CORE CABLE C/W HEARTING PLUG	1	D605-7C
11.	24 CORE INTER CONNECTING LEAD C/W CONNECTORS	1	D605-24C
12.	SYSTEM PRESSURE LEAD	1	ZD606-070
13.	ROTATING SENSOR	1	ZD606-RS
14.	TIP SENSOR	1	ZD606-TS
15.	TWO CORE CABLE FOR SLIP RING	1	D605-02C
16.	MAIN BATTERY LEAD	2	ZD606-030
17.	IN-LINE FUSE	3	ZD606-100
18.	MAIN BATTERY LEAD FOR JUNCTION BOX	1	ZD606-040
19.	MAIN LEAD FOR JUNCTION BOX	1	ZD606-050
20.	ROTATING BEACON LEAD	1	ZD606-090
21.	LOOM FOR VALVE C/W HIRSCHMAN	1	ZD606-080

TANCO AUTOWRAP 1994 MODEL

CONSTANT INDEXING DRIVE ASSY

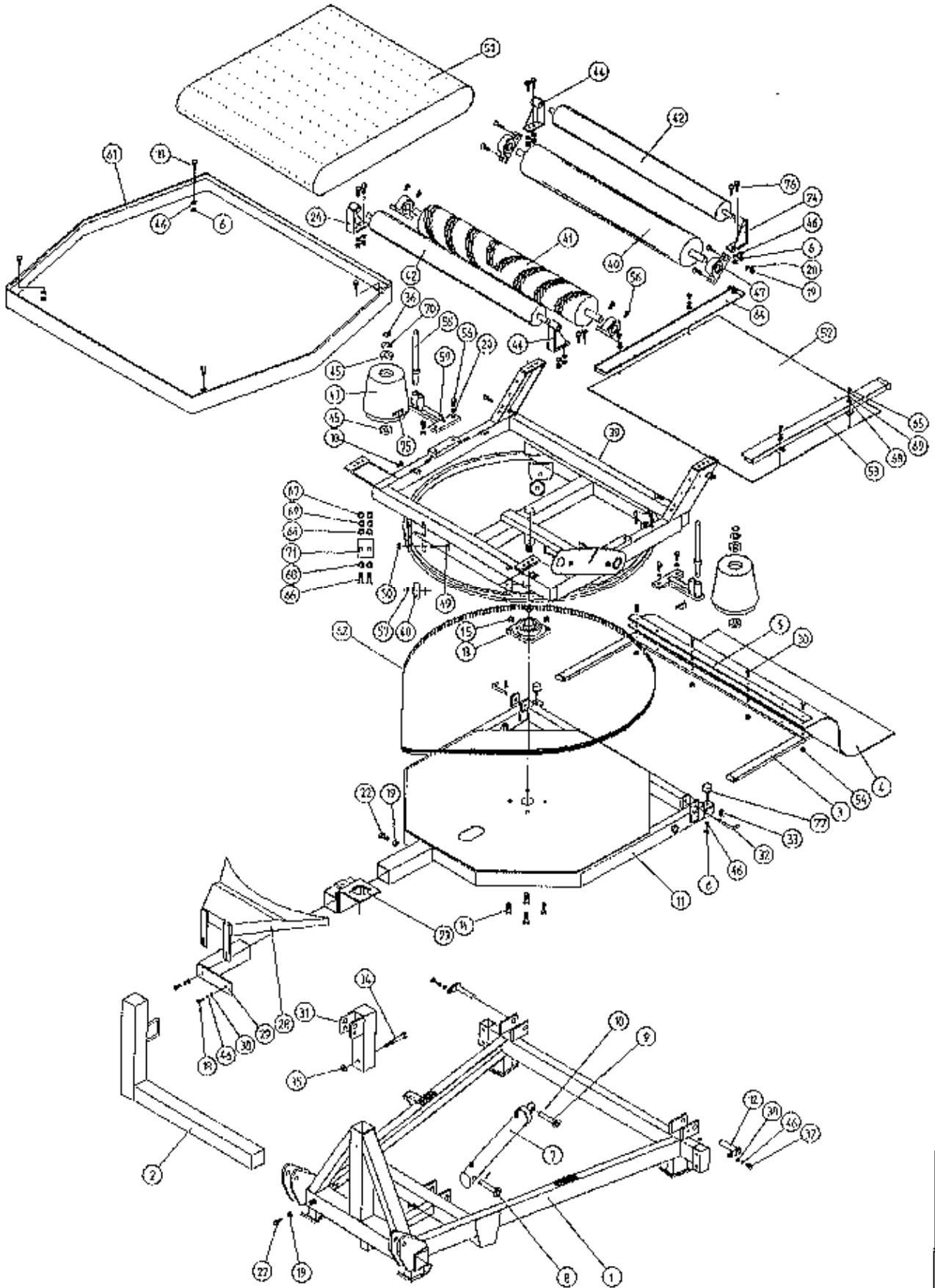


TANCO AUTOWRAP  
CONSTANT INDEXING DRIVE ASSEMBLY

PARTS LIST

ITEM NO.	DESCRIPTION	QTY.	PART-NO
1	TURNTABLE ASSY.	1	WD60-TAC
2	TIPPING FRAME ASSY.	1	WD60-TFC
3	DRIVE ROLLER ASSY.	1	WD65-BRD
4	GEAR BOX	1	Z01-25-300
5	M12 HEX HD SET x 30mm LONG	4	Z26-082S
6	12mm DIA SPRING WASHER	7	Z12-02-12
7	2" DIA FLANGE BEARING	1	Z06-49EC
8	CENTRE SPROCKET ASSY 27 TOOTH	1	WD60-CSA
9	M12 HEX HD SET x 25mm LONG	3	Z26-081S
10	46 TOOTH SPROCKET	1	Z06-D65-46S
11	M10 HEX HD SET x 25mm LONG	1	Z26-0611S
12	10mm DIA SPRING WASHER	4	Z12-02-10
13	RETAINING COLLAR	3	WD623-071
14	CHAIN 3/4" PITCH X 92 PITCHES	1	Z09-AW-5
15	ROSTA TENSIONING UNIT ARM	1	Z06-454
16	CHAIN TENSIONER	1	WD65-CT
17	M10 HEX HD BOLT x 65MM LONG	1	Z26-0671B
18	M10 HEX HD BOLT x 80MM LONG	1	Z26-0691B
19	M10 LOCKNUT	1	Z23-10
20	SPROCKET DOUBLE SIMPLEX 13T/16T KEYED	1	Z06-D65-1316K
21	SPROCKET DOUBLE SIMPLEX 13T/16T SPLINED	1	Z06-D65-1316S
22	KEY 5/16" x 5/16" x 32mm LONG	1	WD623-K32
23	CHAIN 3/4" PITCH X 62 PITCHES	1	Z09-AW-3
24	1/2" DIA STAR WASHER	1	Z10-01-121
25	LOCKING FLAT	1	WD623-060
26	CHAIN GUARD	1	WD60-CGC
27	M10 HEX HD SET x 70mm LONG	2	Z26-068B
28	10mm DIA FLAT WASHER	2	Z10-02-10
29	M10 HEX HD SET x 30mm LONG	2	Z26-062S
30	CHAIN TENSIONER	1	WD60-CT

# TANCO AUTOWRAP 200 ARC 8 MODEL 1994



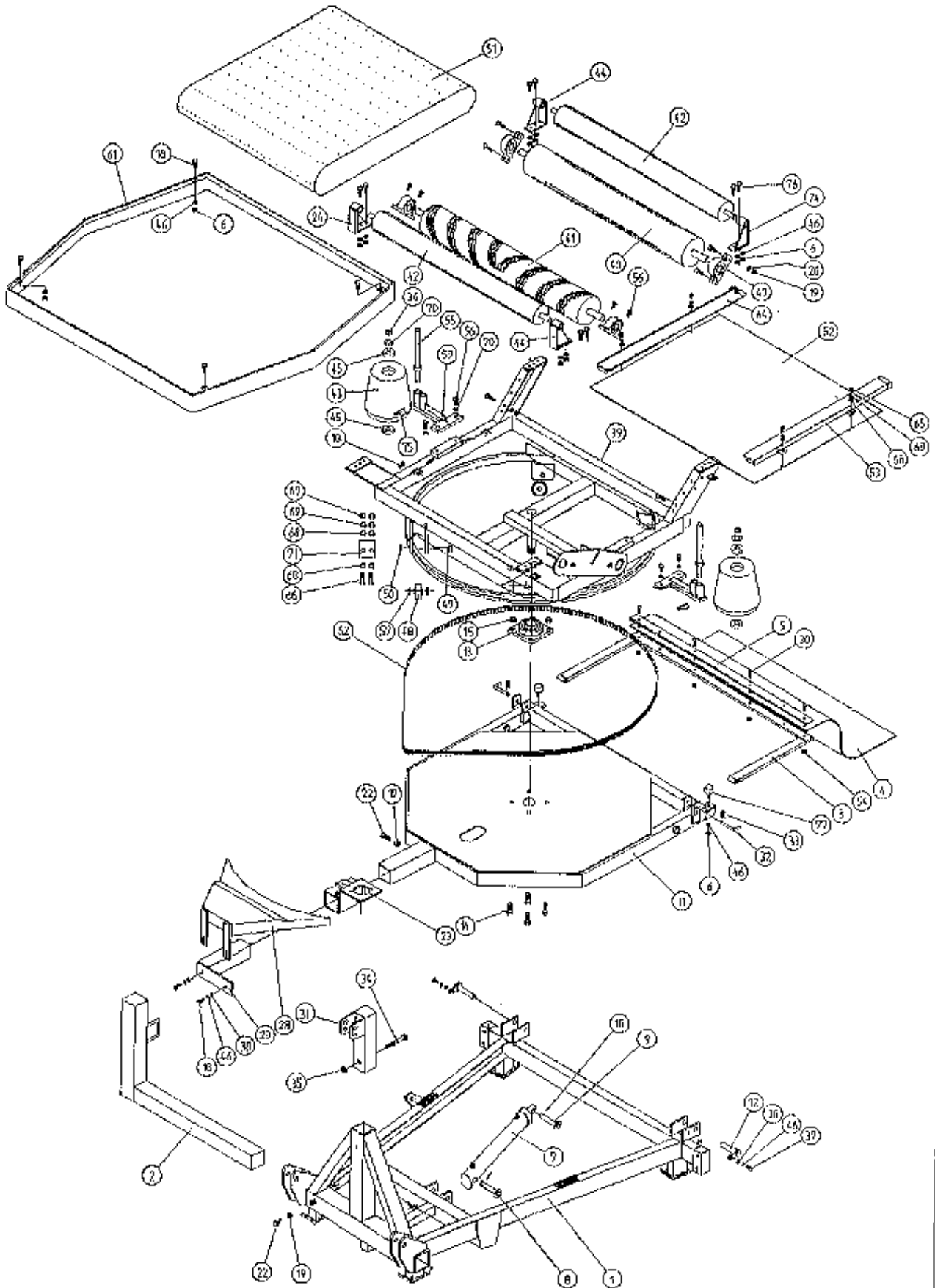
## WD63-PL25

TANCO AUTOWRAP 200 ARC8 MODEL (3PT. LINKAGE) 1994PARTS LIST

ITEM NO.	DESCRIPTION	QTY.	PART-NO.
1.	3PT. LINKAGE FRAME ASSEMBLY	1	WD63-MF
2.	DISPENSER BRACKET LOWER SUPPORT	1	WD63-DMLH
3.	RUBBER MAT MOUNTING FRAME ASSEMBLY	1	WD63-MMF
4.	RUBBER MAT	1	Z05-02AWM
5.	CLAMPING PLATE	1	WD63-1300
6.	M10 HEX NUT	18	Z18-10
7.	HYD. RAM	1	Z01-01-AR687
8.	RAM BOTTOM PIVOT PIN	1	Z03-02-330
9.	RAM TOP PIVOT PIN	1	Z03-03-50
10.	2" x 1/4" SPLIT PIN	2	Z03-21-29
11.	TIPPING FRAME ASSY.	1	WD60-TFC
12.	TIPPING FRAME PIVOT C/W GREASE NIPPLE	2	Z03-01-90S Z39-60
13.	2" DIA FLANGE BEARING C/W CAM LOCK COLLAR	1	Z06-49EC
14.	5/8" UNF HEX HD. SET x 2" LONG	4	Z31B-064
15.	5/8" UNF LOCKNUTS	4	Z20-10
18.	M10 HEX HD SET x 30mm LONG	11	Z26-062S
19.	M12 HEX NUT	9	Z18-12
20.	12mm DIA SPRING WASHER	12	Z12-02-12
22.	M12 HEX HD SETS x 30mm LONG	1	Z26-082S
23.	HYD. MOTOR MOUNTING ASSY.	1	WD60-HMB
24.	ROLLER MOUNTING BRACKET	2	WD60-TRMBL
28.	HYD. MOTOR GUARD ASSY.	1	WD60-HMG
29.	HYDRAULIC MOTOR GUARD MOUNTING BRACKET	1	WD60-HAMB
30.	M8 HEX HD BOLT x 50mm LONG	4	Z26-045B
31.	TOP LINK BRACKET ASSEMBLY	1	WD63-TLB
32.	BISSEL PIN	2	Z03-22-AW100
33.	4mm "R" CLIP	2	Z36-02
34.	M16 HEX HD BOLT x 120mm LONG	1	Z26-134B
35.	M16 LOCKNUTS	1	Z23-16
36.	CIRCLIP	2	Z28-525
37.	M10 HEX HD. SET x 25mm LONG (TUFLOCK)	2	Z26-061S
38.	10mm DIA MACHINED FLAT WASHER	4	Z11-02-101
39.	TURN TABLE ASSY.	1	WD60-TAC
40.	BIG ROLLER ASSY IDLER	1	WD610-BRI
41.	BIG ROLLER ASSY. DRIVER	1	WD658-BRD
42.	SMALL ROLLER ASSY.	2	WD65-SMR
43.	SIDE ROLLER	2	Z06-AWR
44.	ROLLER MTG. BRACKET	2	WD60-TRMBR
45.	BEARING (25MM I.D.)	4	Z06-AWRB-93
46.	10mm DIA SPRING WASHERS	23	Z12-02-10
47.	1 1/4" PILLOW BLOCK BEARING C/W CAM COLLAR	4	Z06-485



# TANCO AUTOWRAP 200 ARC 8 MODEL 1994

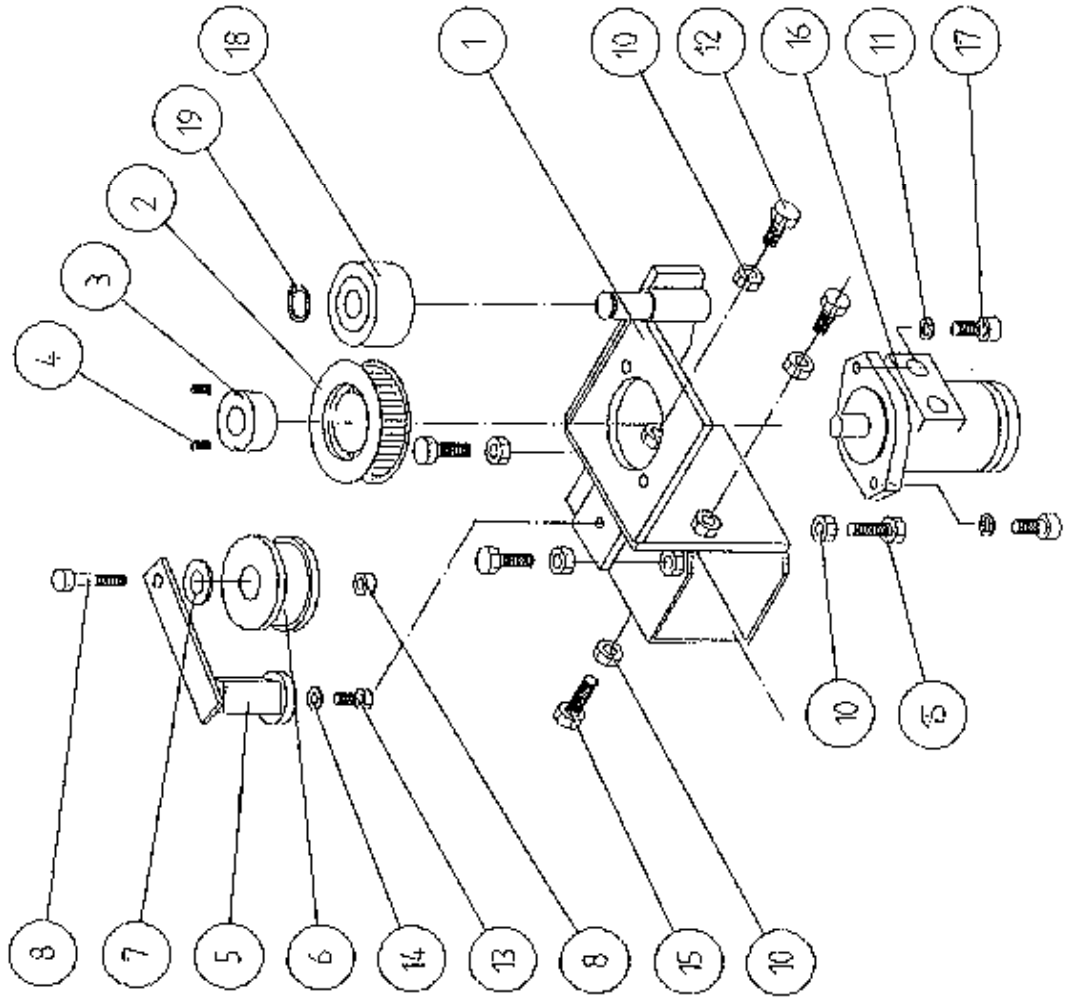


WD63-PL25

TANCO AUTOWRAP 200 ARC8 MODEL (3PT. LINKAGE) 1994  
PARTS LIST

48.	SUPPORT WHEELS (4" DIA)	4	Z06-466
49.	AXLE ASSY. C/W GREASE NIPPLE	4	Z03-22-AW/AX Z39-60
50.	M20 LOCKNUTS	4	Z23-20
51.	1130mm WIDE x 2450mm LONG X 1/4" FLAT BELT	1	Z05-02AWS
52.	TURN TABLE COVER PLATE	1	WD60-093
53.	BELT GUIDE ASSY.	1	WD658-BG1
54.	M8 LOCKNUTS	4	Z23-08
55.	ROLLER SHAFT ASSEMBLY	2	WD60-RSA
56.	M12 HEX HD. SETS x 40mm LONG	12	Z26-084S
57.	SPACER	8	WD60-198
58.	1/8" B.S.P. ST GREASE NIPPLE	4	Z39-60
59.	END ROLLER MOUNTING BRACKET	2	WD658-ERM
61.	MAIN GUARD ASSY.	1	WD60-MG
62.	170" LONG X 1/2 PITCH X 1" WIDE TOOTHED BELT	1	Z05-02-AW20
64.	BELT GUIDE ASSY.	1	WD658-BG2
66.	M8 HEX HD SETS x 20mm LONG	8	Z26-039S
67.	M8 HEX NUTS	14	Z18-08
68.	8mm DIA FLAT WASHERS (MUD FLAP)	8	Z11-02-081
69.	8MM DIA SPRING WASHERS	8	Z12-02-08
70.	THRUST WASHER	2	WD60-292
71.	SRAPER	2	WD60-705
75.	10mm "D" LINCH PIN	2	Z38-03
76.	M10 HEX HD SET x 35mm LONG	8	Z26-063S
77.	BUFFER 56mm DIA x 40mm LONG	2	Z40-20

TANCO AUTOWRAP 1994 MODEL  
HYDRAULIC MOTOR DRIVE ASSEMBLY

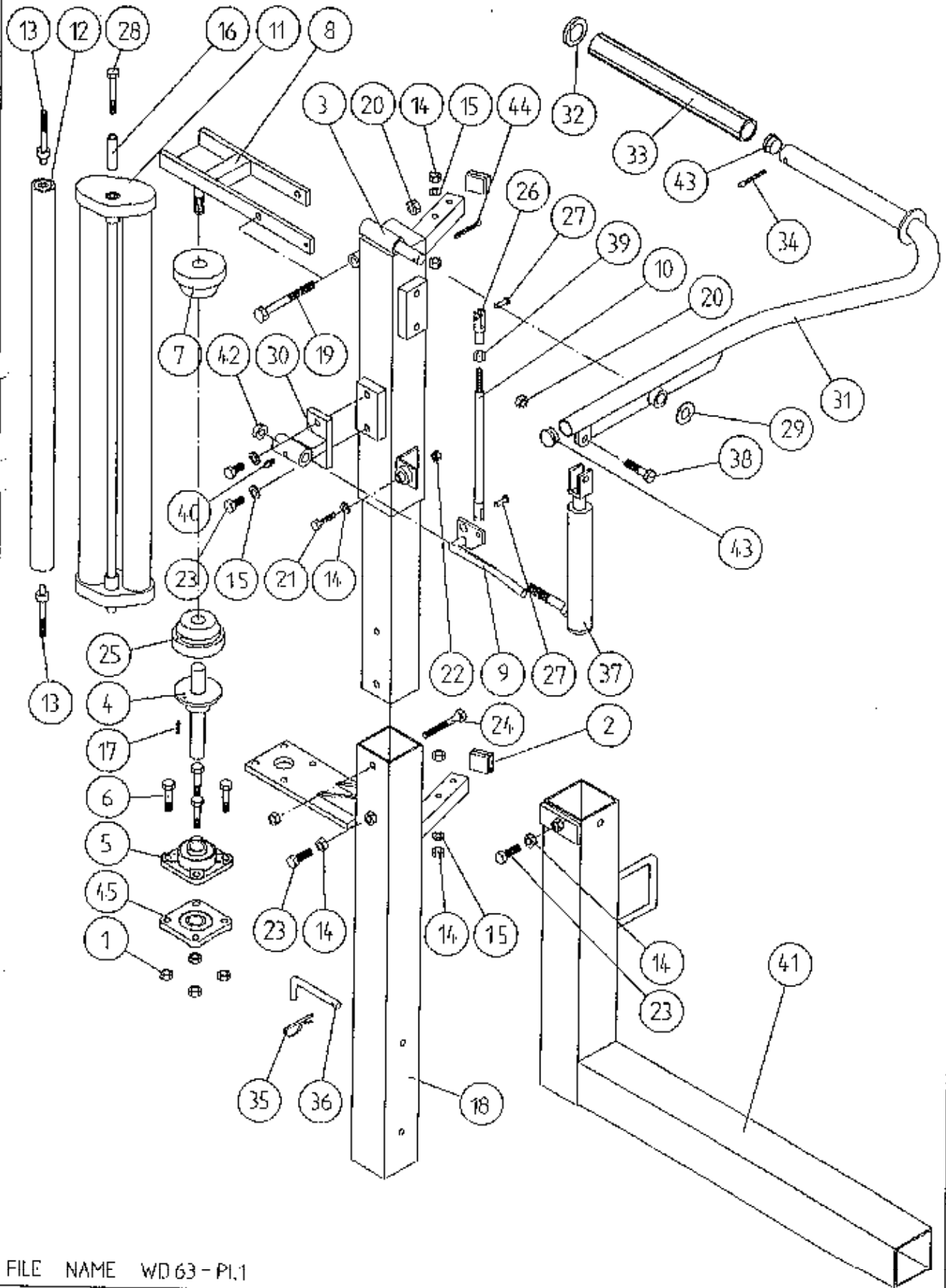


TANCO AUTOWRAP 1994 MODEL  
HYDRAULIC MOTOR DRIVE ASSEMBLY

PARTS LIST

ITEM NO.	DESCRIPTION	QTY.	PART-NO.
1.	HYDRAULIC MOTOR MOUNTING ASSY.	1	WD65-HMB
2.	4" DIA X 1/2" PITCH TOOTHED PULLY	1	Z09-005-AW1
3.	TAPER LOCK BUSH TO SUIT 1" DIA SHAFT	1	Z09-005-AW2
4.	M10 STUDS X 15MM	2	Z28-01
5.	ROSTA TENSIONING UNIT ARM	1	Z06-454
6.	STEPPED ROLLER C/W BEARINGS	1	Z06-456
7.	SPACER	1	WD60-798
8.	M10 HEX HD BOLT X 60MM LONG	1	Z26-067B
9.	M10 LOCKNUT	1	Z23-10
10.	M12 HEX NUT	6	Z18-12
11.	12MM DIA SPRING WASHER	2	Z12-02-12
12.	M12 HEX HD SET X 30MM LONG	2	Z26-082S
13.	M10 HEX HD SET X 25MM LONG (TUFLOCK)	1	Z26-061S
14.	10MM DIA SPRING WASHER	1	Z12-02-10
15.	M12 HEX HD SET X 40MM LONG	6	Z26-084S
16.	HYDRAULIC MOTOR C.L.	1	Z01-02-AR75
17.	M12 SOCKET HD SCREW X 30MM LONG	2	Z13-6-12X30
18.	ROLLER C/W BEARINGS	1	Z06-457
19.	CIRCLIP	1	Z28-525

TANCO AUTOWRAP 200 ARC MODEL 1993  
FILM DISPENSOR SYSTEM

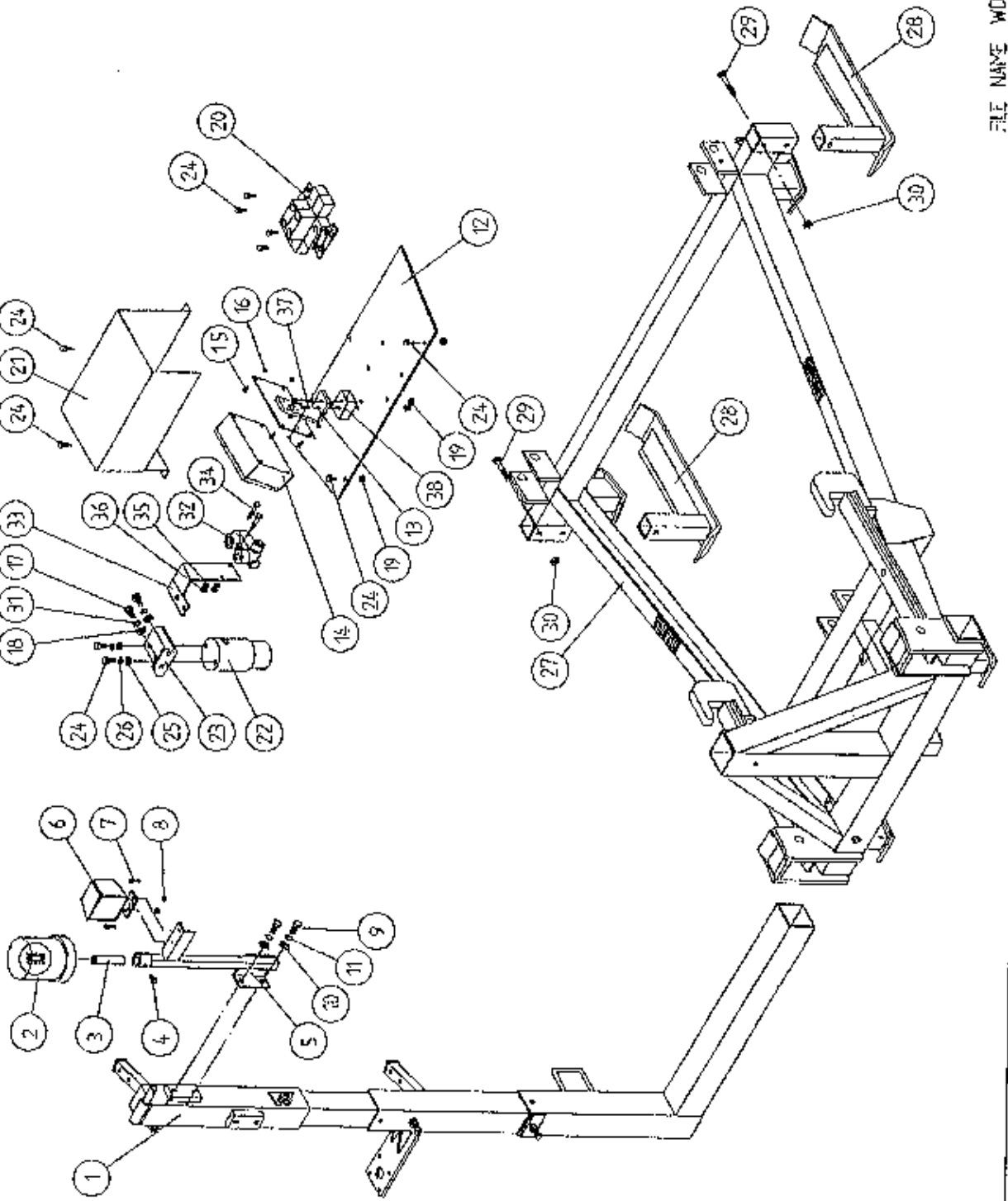


FILE NAME WD 63 - P1.1

TANCO AUTOWRAP 200 ARC MODEL 1994FILM DISPENSING SYSTEMPARTS LIST

ITEM NO.	DESCRIPTION	QTY.	PART-NO.
1.	M10 LOCKNUTS	4	Z23-10
2.	(PLASTIC CAPS TO SUIT 40 x 40 x 3 x RHS)	2	Z32-07
3.	DISPENSER MOUNTING (UPPER)	1	WD60-DMUH
4.	FILM SPOOL ASSEMBLY	1	WD60-SPO
5.	1" DIA FLANGE BEARING C/W CAM LOCK	1	Z06-48EC
6.	M10 HEX HD BOLT x 50mm LONG	4	Z26-066B
7.	CONE (TOP) C/W BALL BEARINGS	1	Z06-45-01
8.	CLAMP ASSEMBLY	1	WD60-DMCA
9.	LEVER ASSEMBLY	1	WD60-DMLA
10.	LINK ASSEMBLY	1	WD60-DMLK
11.	FILM DISPENSER UNIT MK 8 (70% STRETCH)	1	D615
12.	SLAVE ROLLER ASSY (PLASTIC COATED)	1	WD65-SLR
13.	SLAVE ROLLER PIVOT	2	WD60-SRS
14.	M12 HEX NUTS	7	Z18-12
15.	12mm DIA SPRING WASHER	2	Z12-02-12
16.	SLEEVE	1	D52012
17.	1/4" DIA TENSION PIN x 3/4" LONG	1	Z03-20-062
18.	DISPENSER MOUNTING (LOWER)	1	WD60-DMLH
19.	M12 HEX HD BOLT x 130mm LONG	1	Z26-094B
20.	M12 LOCKNUT	3	Z23-12
21.	M8 HEX HD BOLT x 35mm LONG	1	Z26-042S
22.	M8 LOCKNUT	1	Z23-08
23.	M12 HEX HD SET x 30mm LONG	3	Z26-082S
24.	M12 HEX HD BOLT x 100mm LONG	1	Z26-092B
25.	CONE (BOTTOM)	1	Z06-45-02
26.	CLEVIS (M10)	1	Z49-335
27.	PIN (5/16" DIA) C/W CLIP	2	Z49-337
28.	M10 HEX HD BOLT x 80mm LONG	1	Z26-0691B
29.	3/4" DIA FLAT WASHER	1	Z10-02-19
30.	FILM PULL DOWN BRACKET ASSY	1	WD65-FPDB
31.	FILM PULL DOWN ARM ASSY	1	WD65-FPDA
32.	RETAINING WASHER	1	WD60-859
33.	ROLLER	1	WD60-866
34.	2" x 1/4" SPLIT PIN	1	Z03-21-29
35.	4mm "R" CLIP	1	Z36-02
36.	BISSEL PIN (110mm LONG)	1	WD60-861
37.	HYDRAULIC RAM	1	Z01-01-AW25
38.	M12 HEX HD SET x 50mm LONG	1	Z26-086S
39.	5/16" UNF HEX NUT	1	Z15-05
40.	1/8" BSP ST GREASE NIPPLE	1	Z39-60
41.	DISPENSER BRACKET LOWER SUPPORT	1	WD63-DMLH
42.	M16 LOCKNUT	1	Z23-16
43.	1" GB PLASTIC CAP	2	Z32-14
44.	1/2" x 3/16" SPLIT PIN	1	Z03-20-05
45.	1" DIA FLANGE BEARING	1	Z06-48

TANCO AUTOWRAP 200 ARC MODEL  
SOLENOID VALVE & JUNCTION BOX ASSY



TANCO AUTOWRAP 200 ARC MODEL 1994SOLENOID VALVE & JUNCTION BOX ASSYPARTS LIST

ITEM NO.	DESCRIPTION	QTY.	PART-NO.
1.	FILM MAST ASSEMBLY	1	
2.	ROTATING BEACON	1	Z05-18
3.	STEM C/W CABLE	1	Z05-181
4.	M8 x 10mm GRUB SCREW	1	Z28-008
5.	BEACON MOUNTING BRACKET	1	WD63-BMB
6.	RECEIVER	1	D6071
7.	M6 HEX HD SET x 20mm	2	Z26-020S
8.	M6 LOCKNUT	2	Z23-06
9.	M12 HEX HD BOLT x 30mm	2	Z26-082S
10.	12mm DIA FLAT WASHER	2	Z10-02-12
11.	12mm DIA SPRING WASHER	2	Z12-02-12
12.	SOLENOID VALVE MOUNTING PLATE	1	WD63-1027
13.	JUNCTION BOX MOUNTING BRACKET	1	WD63-JMB
14.	JUNCTION BOX	1	ZDC-JB2
15.	M4 ALLEN HD SOCKET SCREW x 16mm	4	Z26-006
16.	M4 LOCKNUT	4	Z23-04
17.	M10 HEX HD SET x 25mm	2	Z26-0611S
18.	10mm DIA FLAT WASHER	2	Z10-02-10
19.	M8 LOCKNUT	8	Z23-08
20.	2 BANK SOLENOID VALVE	1	Z01-03-10-A2
21.	VALVE & JUNCTION BOX COVER	1	WD63-UC
22.	FILTER	1	Z01-24-08
23.	FILTER MOUNTING BRACKET	1	WD63-1053
24.	M8 HEX HD SET x 25mm	8	Z26-040S
25.	8mm DIA FLAT WASHER	2	Z10-02-08
26.	8mm DIA SPRING WASHER	2	Z12-02-08
27.	3PT LINKAGE FRAME	1	WD610-LF
28.	STABILISING LEG ASSY	2	WD63-SLA
29.	M12 HEX HD BOLT x 80mm	2	Z26-0901B
30.	M12 LOCKNUTS	2	Z23-12
31.	10mm DIA SPRING WASHER	2	Z12-02-10
32.	FLOW DIVIDER	1	Z01-03-10-A6
33.	FLOW DIVIDER MOUNTING BRACKET	1	WD65-FDM
34.	M6 ALLEN HD SOCKET SCREW 50MM	2	Z13-020-50
35.	6MM DIA MUD FLAP WASHER	2	Z11-02-061
36.	M6 LOCKNUT (NYLOCK)	2	Z23-06
37.	M8 HEX HD BOLT X 65MM LONG	2	Z26-048B
38.	PACKER (JUNCTION BOX)	1	WD612-034



## FAULT FINDING

### PROBLEMS.

1. Drive Belt Slipping on Drive. Tension belt with Automatic tension set to 25 - 30 degrees - see page 8. Check belt is correct pitch if it has been replaced.
2. Drive belt breaking and bottom or Top Rim coming off motor sprocket. Check that cross line relief valve is working on motor. Check motor mount for alignment. Reduce tension on Drive Belt. Check there is no vertical movement of turntable spindle - if so tighten bearing locking screws on spindle and ensure that collar is secure on spindle below bearing.
3. Film Breaking Wash off dispenser and slave rollers Change roll of film. Use recommended films only.
4. Film not wrapping evenly on bale. Adjust film mast so centre of film roll is aligned with centre of bale .
5. Film Tearing on Ramp. Check for sharp edges and remove.
6. Bale Skidding on Ramp. Fit Hessian Bag or piece of carpet to Ramp.
7. Film Dispenser not Pre-Stretching Film. Check that both Rollers turn when one is turned by hand. If not, fit new gears or replace unit.
8. Tyres coming off 4" platform Support Wheels. Replace Wheels - Reduce speed below 25 r.p.m. - Do not oil or grease path of wheels on platform.

## FAULT FINDING

### PROBLEMS

#### 9. MAIN BELT MOVING SIDEWAYS

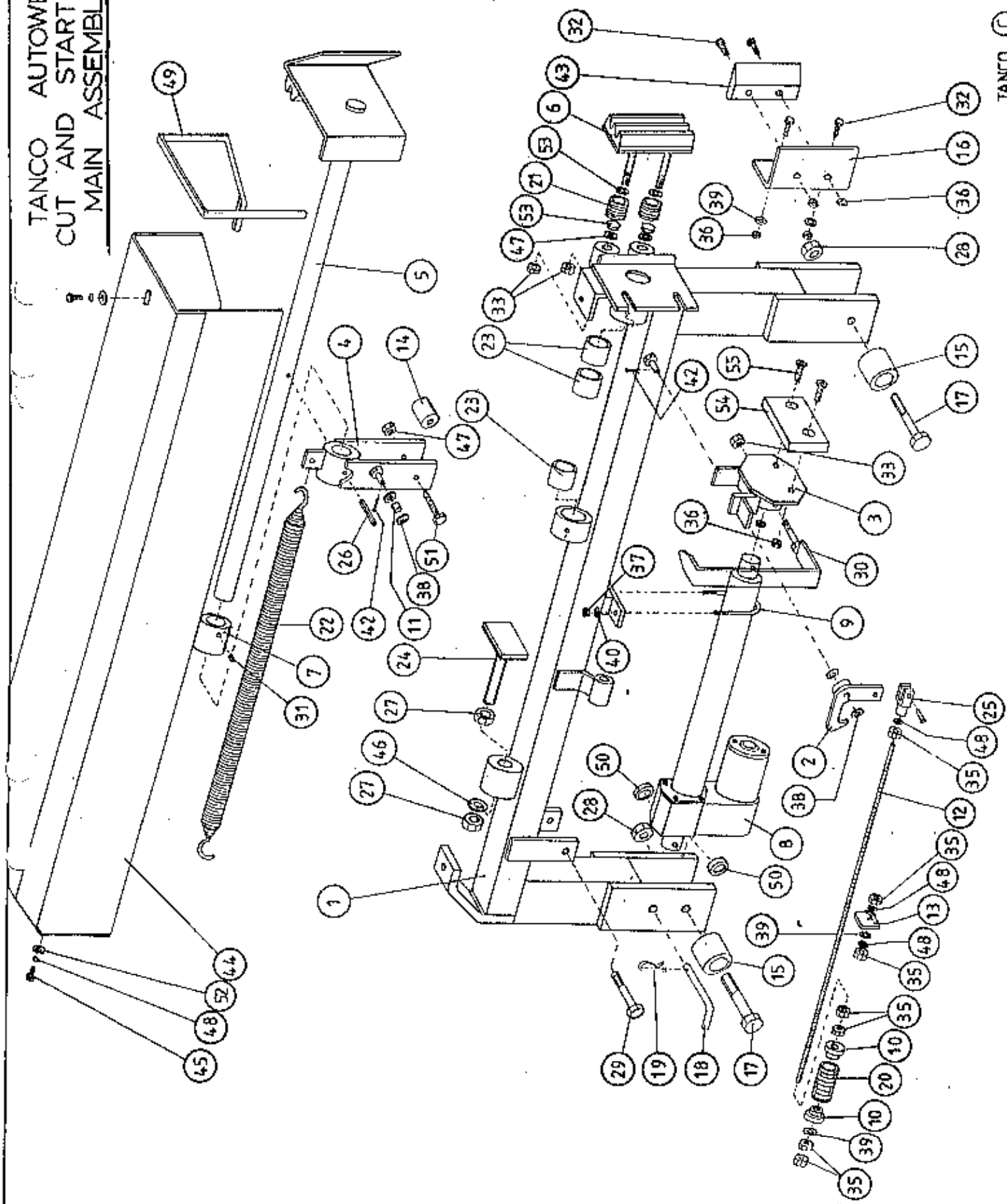
- (i) Ensure vertical rollers (plastic) are tight on the bale. Remember that the bale will reduce in size during wrapping and, on the round bales in particular, the corners will become rounded so that the bale will tend to move sideways due to centrifugal forces. Now, if the plastic rollers are too far apart, the bale will move against one of the plastic rollers whilst the belt will move in the opposite direction - so adjust the vertical plastic rollers so that they keep the bale central on the belt.
- (ii) Adjust bale stop on lift arm so that bale is loaded centrally onto platform.
- (iii) Check that both 6" rollers underneath the bale belt are running parallel to each other. Remember the golden rule - a belt will always move up a slope, so if the rollers are not parallel to each other then the belt will move to the widest setting.

#### NOTE:

It is important to adjust the idler roller only, as movement of the drive roller will entail adjusting the chain tension also. It is important to note if the belt moves to the same side all of the time, or if it moves first to the gearbox side and then to the other side. With the round bale wrapper, the belt will tend to move to the same side each time because the bale is always loaded the same way.

- (iv) Check that belt is the same measurement each side by running a string around the belt and measuring it. If one side is longer than the other replace the belt but if both sides are same measurement and all above adjustments fail, then try removing the belt and fitting it round the opposite way.

TANCO AUTOWRAP  
 CUT AND START UNIT (1994)  
 MAIN ASSEMBLY

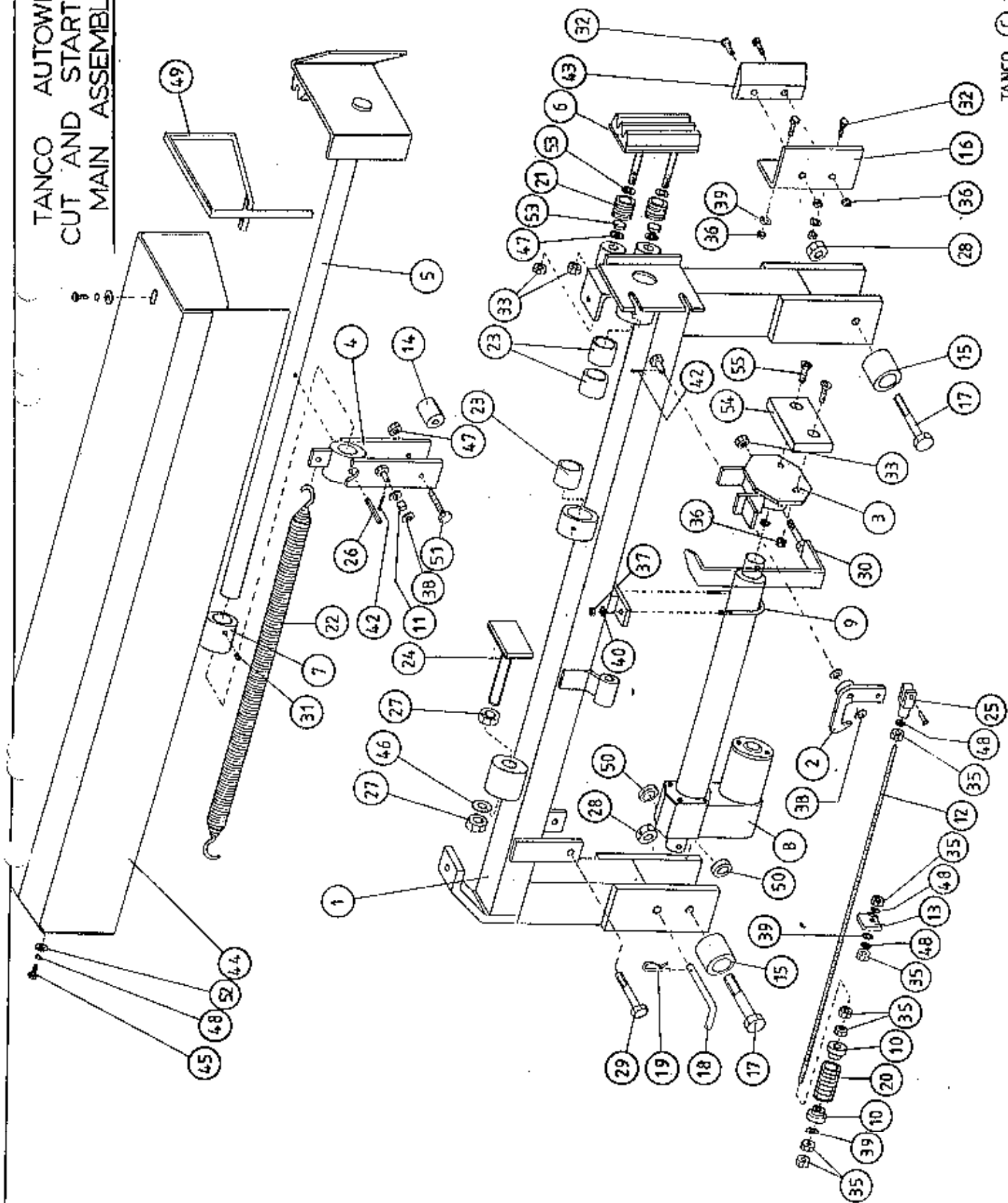


## AUTOWRAP

TANCO AUTOWRAP  
CUT AND START UNIT (1994)  
PARTS LIST

ITEM NO	DESCRIPTION	QTY	PART-NO.
1.	MAIN MOUNTING FRAME ASSY	1	WD605-MF
2.	LATCH ASSY.	1	WD605-LA
3.	PUSH PLATE ASSY.	1	WD605-PP
4.	GUIDE ASSY	1	WD605-GD
5.	PLUNGER ASSY	1	WD605-PL
6.	FILM GRIPPER ASSY	1	WD605-FG
7.	PLUNGER END CAP	1	WD605-90
8.	WARNER LINEAR ACTUATOR D11 10B5 08	1	ZD605-510
9.	"U" BOLT	1	WD605-45
10.	STEPPED COLLAR	2	WD605-46
11.	SLEEVE 1/2" DIA O.D. X 13/32" DIA I.D.	1	WD605-47
12.	THREADED ROUND 5/16" UNF	1	WD605-48
13.	TRIGGER	1	WD605-50
14.	COLLAR 1" DIA BRIGHT RD. X 41.5MM LONG	1	WD605-51
15.	SPACER	1	WD605-100
16.	BLADE GUARD/MOUNTING BRACKET	1	WD605-105
17.	M12 HEX HD BOLT X 80MM LONG	2	Z26-0901B
18.	BISSEL PIN	1	Z03-22-AW100
19.	4MM "R" CLIP	1	Z36-02
20.	SPRING 16MM O.D. X 1.5MM WIRE X 48MM LONG	1	Z07-34
21.	SPRING 1.09" O.D. X 0.092" WIRE X 1.54" LONG	2	Z07-44
22.	SPRING 1.125 O.D. X 0.125" WIRE X 330MM	1	Z07-46
23.	OILITE OIL RETAINING BUSH 1 1/8" O.D. X 3/4" X 1" L.	3	Z06-105
24.	RUBBER BUFFER ASSY.	1	WD605-BA
25.	CLEVIS C/W PIN	1	Z49-33
26.	1 1/2" X 1/4" DIA TENSION PIN	1	Z03-20-07
27.	M16 HEX NUTS	2	Z18-16
28.	M12 LOCKNUTS	2	Z23-12
29.	M12 HEX HD BOLT X 65MM	1	Z26-0882B
30.	INDICATOR ASSY	1	WD605-PR
31.	M8 GRUB SCREW	1	Z28-008
32.	M8 HEX HD SET X 25MM	4	Z26-040S
33.	M12 BINX LOCKNUT	4	Z23-12BX
35.	5/16" UNF HEX NUT	7	Z15-05
36.	M8 LOCKNUT	9	Z18-08
37.	M6 LOCKNUT (NYLOCK)	2	Z23-16
38.	10MM DIA FLAT WASHER	10	Z11-02-10
39.	8MM DIA FLAT WASHER	5	Z11-02-08
40.	6MM DIA FLAT WASHER	2	Z11-02-06
42.	3MM DIA SPLIT PIN	2	Z03-21-02
43.	BLADE	1	WD605-104
44.	MAIN GUARD	1	WD605-MG
45.	M8 HEX HD SET X 20MM LONG	2	Z26-020S
46.	10MM DIA SPRING WASHER	2	Z12-02-10
47.	12MM DIA FLAT WASHER	2	Z11-02-12
48.	8M DIA SPRING WASHER	9	Z12-02-08
49.	EDGING STRIP	1	Z44-12
50.	SPACER 1" O.D. X 1/2" I.D. X 6MM LONG	2	WD605-65

TANCO AUTOWRAP  
 CUT AND START UNIT (1994)  
 MAIN ASSEMBLY

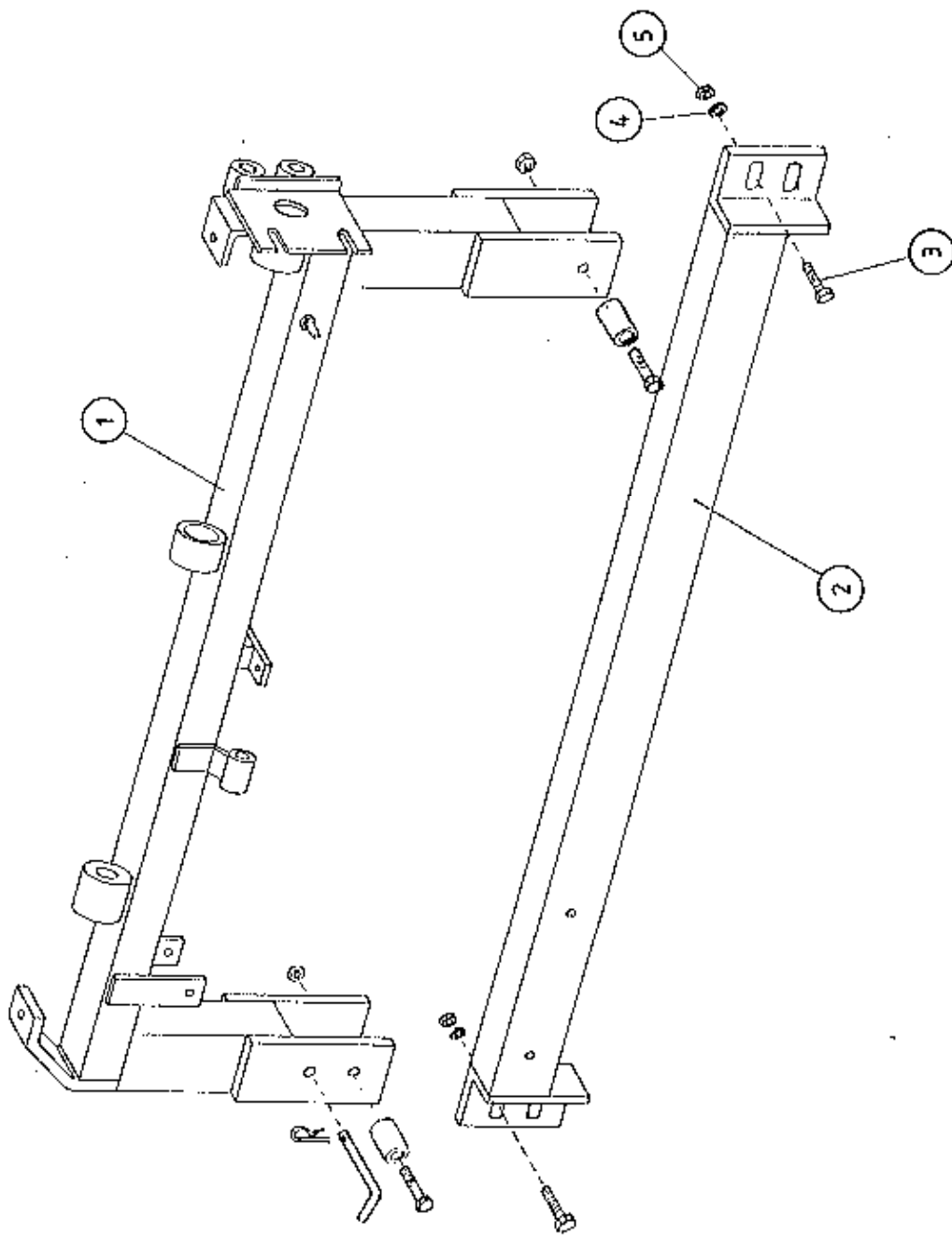


**AUTOWRAP**

**TANCO AUTOWRAP  
CUT AND START UNIT (199)  
PARTS LIST**

<b>ITEM NO</b>	<b>DESCRIPTION</b>	<b>QTY</b>	<b>PART-NO.</b>
51.	M10 HEX HDSET X 20MM	2	Z26-060S
52.	8MM DIA FLAT WASHER 1" O.D.	4	Z11-02-081
53.	25MM O.D. X 12MM I.D. FILM GRIP WASHER	4	Z11-02-12FG
54.	PACKER	1	WD605-133
55.	H8 X 40 COUNTER SUNK BOLT	2	Z13-5-08X40

TANCO AUTOWRAP CUT AND START (1994)  
MOUNTING FRAME



WD605-MF

TANCO AUTOWRAP CUT AND START UNIT (1994)

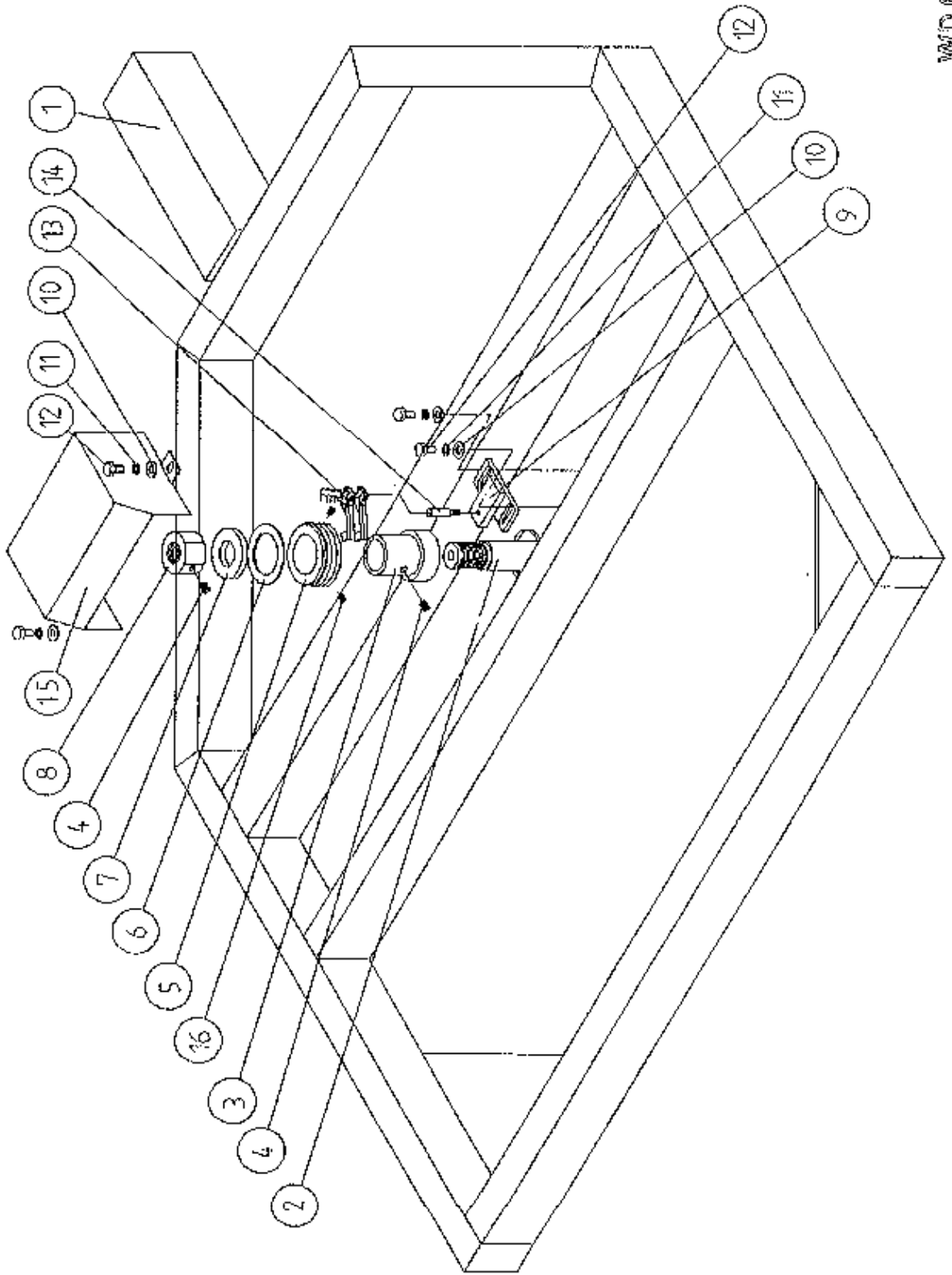
MOUNTING FRAME

PARTS LIST

ITEM NO	DESCRIPTION	QTY	PART-NO
1.	MAIN MOUNTING FRAME ASSY	1	WD605-MF
2.	MAIN FRAME MOUNTING	1	WD605-MFM
3.	M10 HEX HD SET x 30mm LONG	2	Z26-062S
4.	10mm DIA SPRING WASHER	2	Z12-02-10
5.	M10 HEX NUT	2	Z18-10



TANCO AUTOWRAP - CUT AND START UNIT (1994)  
SLIP RING ASSEMBLY



**TANCO AUTOWRAP CUT AND START UNIT (1994)  
SLIP RING ASSY.**

**PARTS LIST**

ITEM NO.	DESCRIPTION	QTY.	PART-NO.
1.	UNDERSIDE OF TIPPING FRAME	1	
2.	TURNTABLE CENTRE SHAFT	1	WD60-768
3.	SLIP RING MOUNTING SLEEVE	1	WD60-825
4.	M8 GRUB SCREW x 6 mm LONG	2	Z28-007
5.	SLIP RING ASSY.	1	ZD605-308
6.	INSULATING RING	1	ZD605-350
7.	LOCKING COLLAR	1	WD60-770
8.	1 1/4" UNC HEX NUT	1	Z18-300
9.	SLIP RING MOUNTING BRACKET ASSY	1	WD605-SRMB
10.	10mm DIA FLAT WASHER 1" O.D.	4	Z11-02-101
11.	10mm SPRING WASHER	4	Z12-02-10
12.	M10 HEX HD SET x 20mm	4	Z26-060S
13.	BRUSHES	2	ZD605-306
14.	INSULATOR SLEEVE	1	ZD605-302
15.	SLIP RING GUARD ASSY	1	WD605-SRG
16.	M5 GRUB SCREW	2	Z28-005

2 22

2 22

TANCO AUTOWRAP CUT AND START UNIT 1994SENSOR AND MAGNET MOUNTING BRACKETSPARTS LIST

ITEM NO.	DESCRIPTION	QTY.	PART-NO.
1.	MAGNET MOUNTING BRACKET	1	WD605-57
2.	MAGNET	1	D6043
3.	M6 HEX HD SET x 30mm LONG	1	Z26-022S
4.	6mm DIA FLAT WASHER	1	Z11-02-06
5.	M6 LOCKNUT	1	Z23-06
6.	M8 HEX HD SET x 25mm LONG	2	Z26-040S
7.	M8 LOCKNUT (NYLOCK)	1	Z23-08
8.	8mm DIA SPRING WASHER	3	Z12-02-08
9.	M8 HEX NUT	3	Z18-08
10.	M8 HEX HD SET x 100mm LONG	1	Z26-057S
11.	SENSOR MOUNTING BRACKET	1	WD605-58
12.	ROTATE SENSOR MOUNTING BRACKET	1	WD605-120
13.	MOUNTING FLAT	1	WD605-07
14.	M8 HEX HD SET x 20mm LONG	1	Z26-020S