

TANCO AUTOWRAP SYSTEMS

200 Model (1992)

OPERATORS HANDBOOK

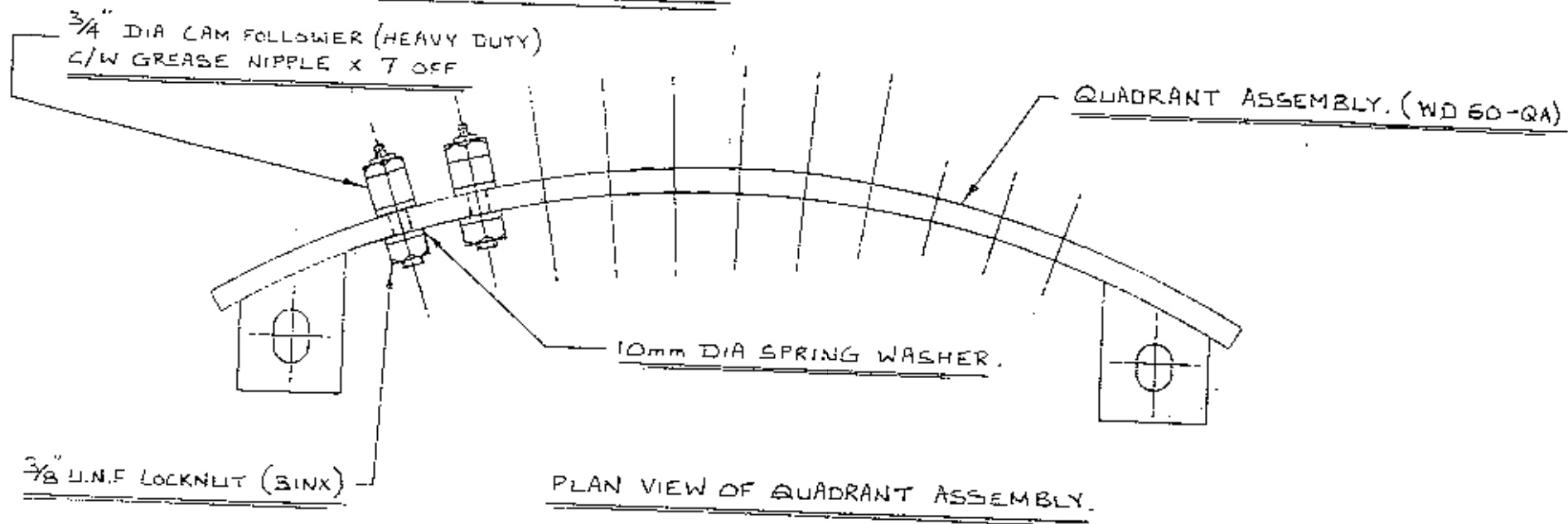
AND

PARTS LIST

WD64-H0292

NOTE:

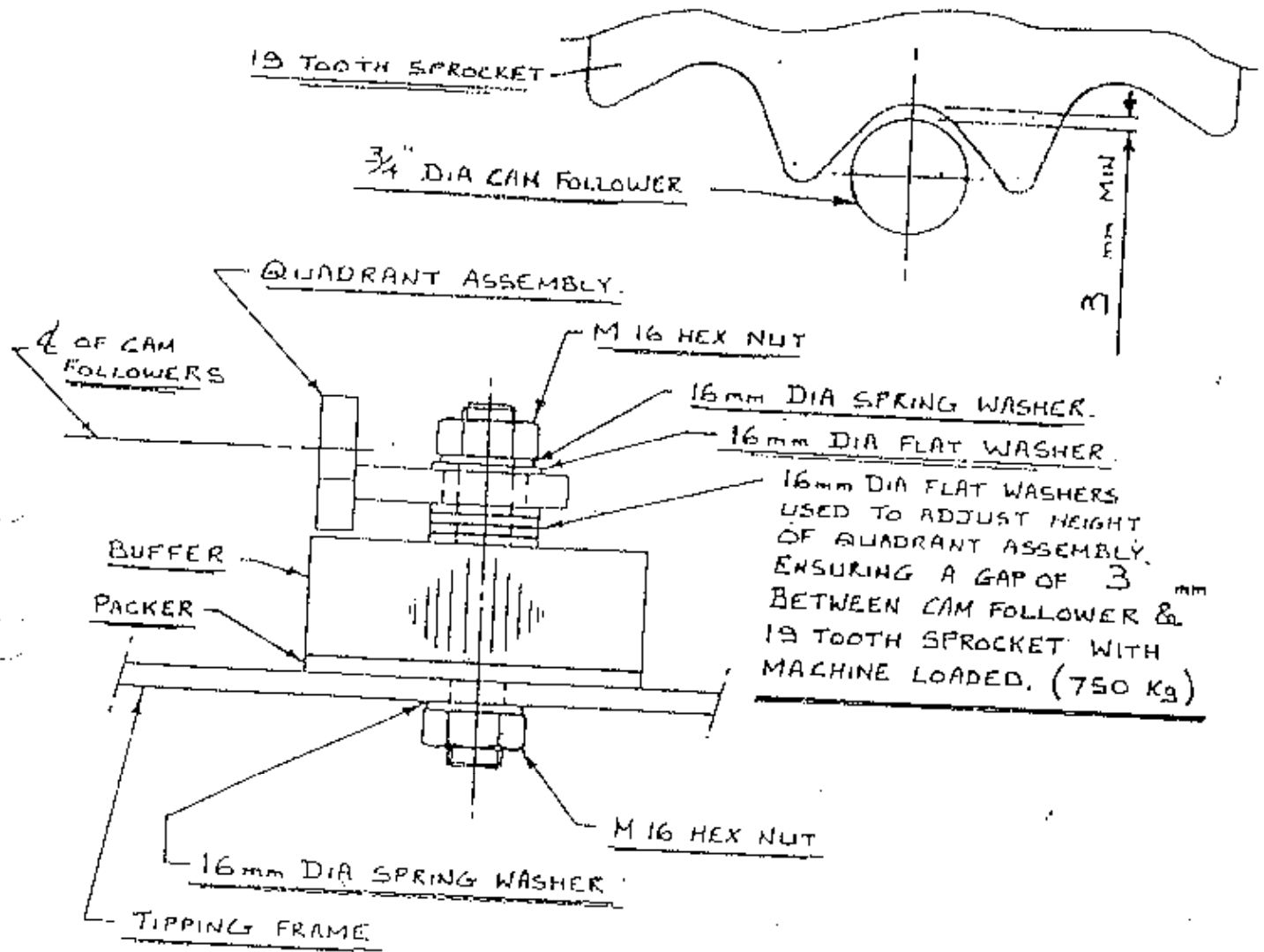
WHEN FITTING $\frac{3}{4}$ " DIA CAM FOLLOWERS
TO QUADRANT ASSEMBLY IT IS NECESSARY
TO TORQUE NUTS TO 26 FT/LB.



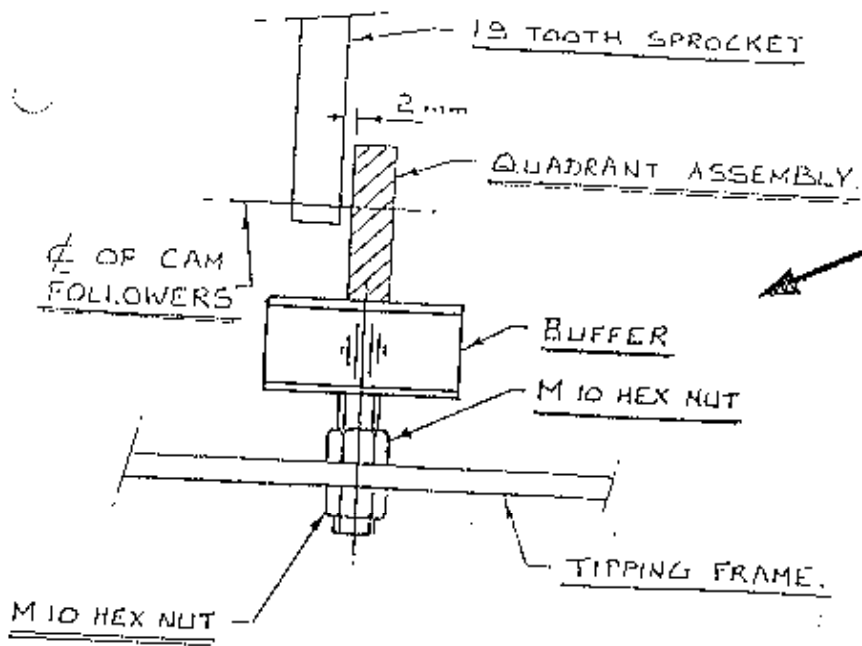
NOTE:

ENSURE THAT M20 HEX Hd BOLT X 110mm
LONG USED TO MOUNT 4" DIA SUPPORT
WHEELS ON TURNABLE ASSEMBLY IS
POSITIONED WITH BOLT HEAD TO INSIDE
TO AVOID FOULING $\frac{3}{4}$ " DIA CAM
FOLLOWER.

TANCO AUTOWRAP (1992 MODEL)
QUADRANT ASSEMBLY INSTRUCTIONS.



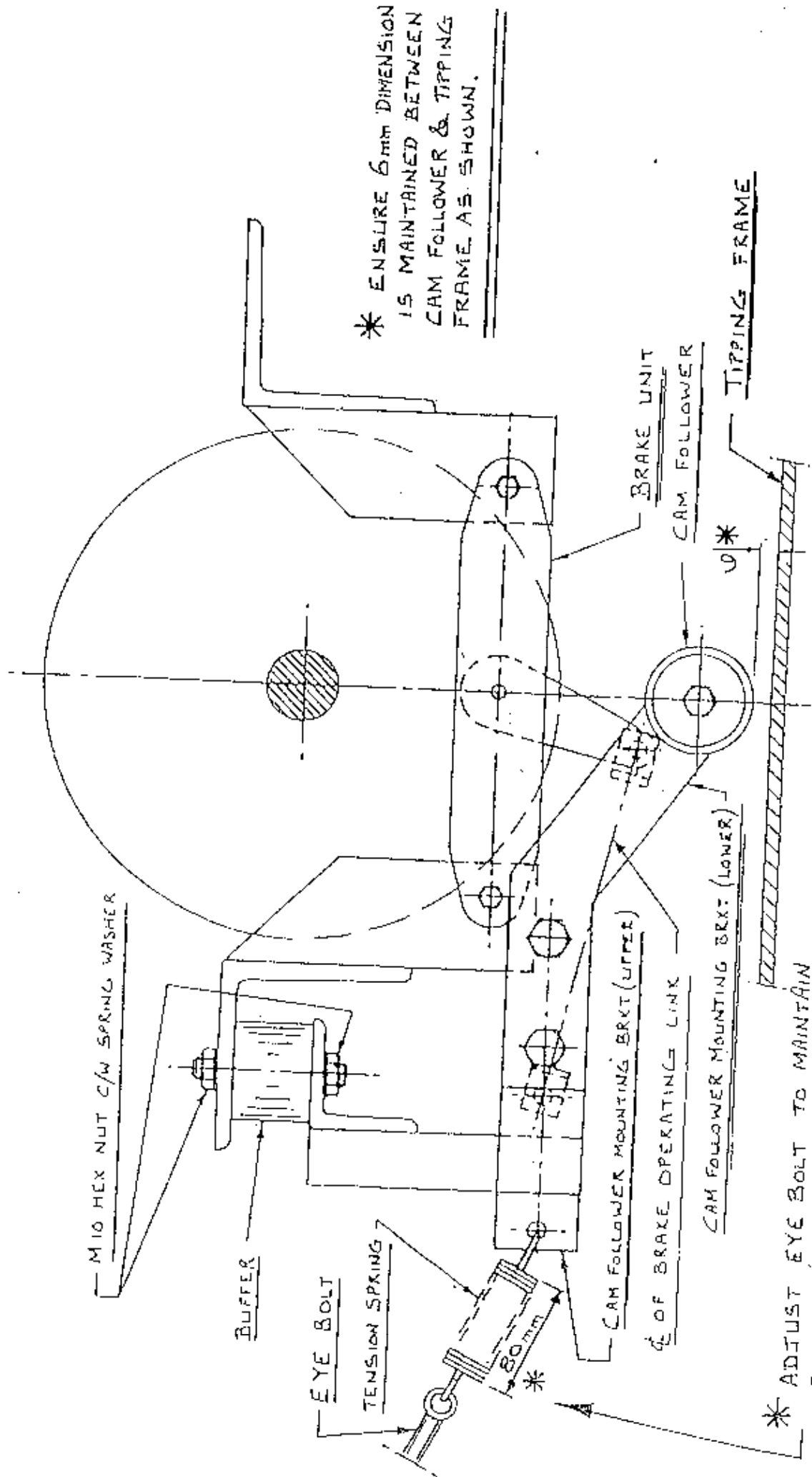
TANCO AUTO WRAP. 1992
INDEX SHAFT. SPROCKET CLEARANCE ADJUSTMENT.



NOTE:
 AFTER SETTING QUADRANT POSITION ADJUST CENTRE BUFFER HEIGHT UNTIL IT TOUCHES LOWER EDGE OF QUADRANT ASSEMBLY AS SHOWN.

CONCO AUTO WRAP (1532)

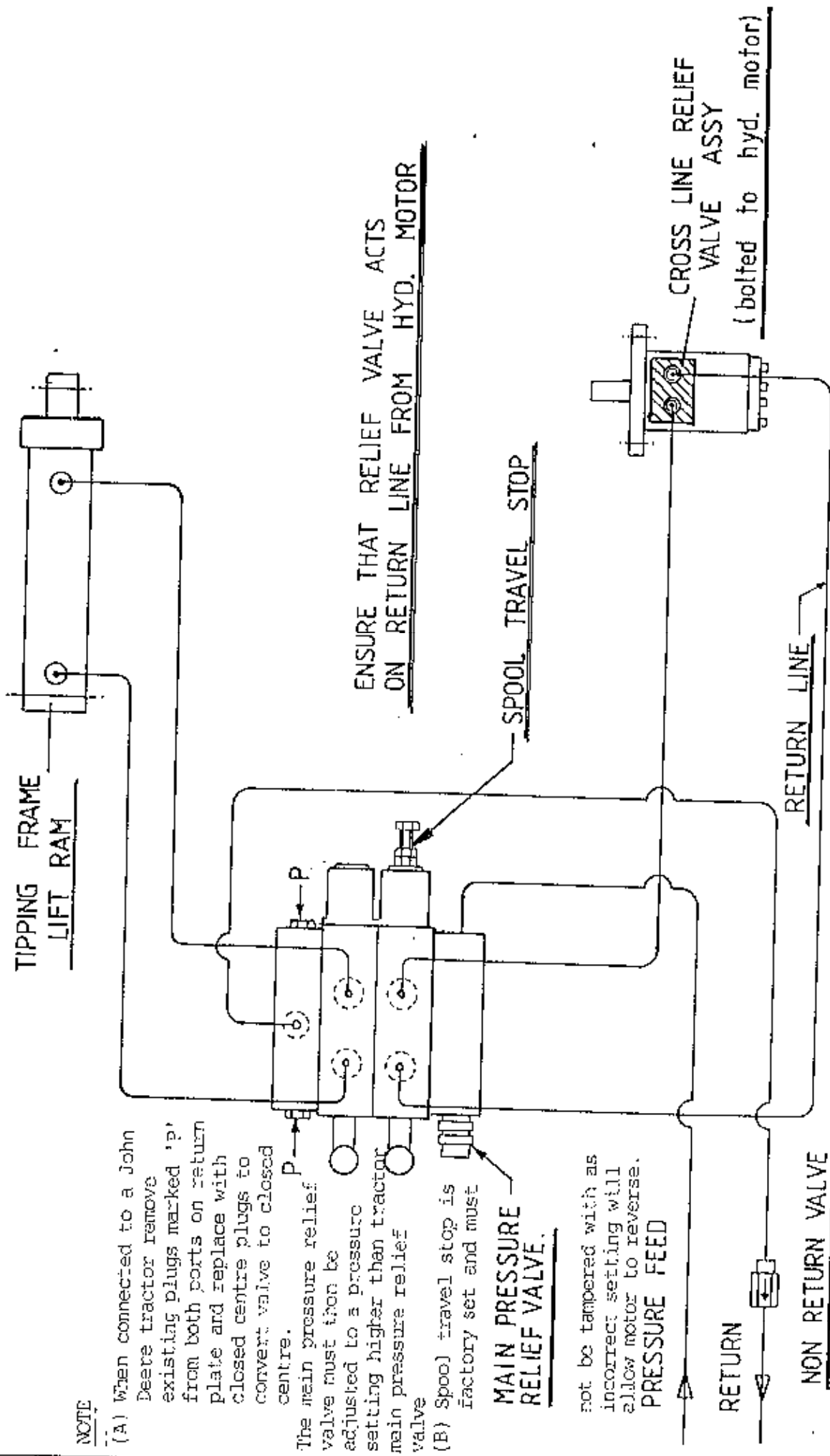
INDEX SHAFT, DISC BRAKE ADJUSTMENT



* ENSURE 6mm DIMENSION IS MAINTAINED BETWEEN CAM FOLLOWER & TIPPING FRAME, AS SHOWN.

* ADJUST EYE BOLT TO MAINTAIN 80mm DIMENSION AS SHOWN

TANCO AUTOWRAP 200 MODEL (3pt LINKAGE) 1992 HYDRAULIC CIRCUIT (DIN)



NOTE

(A) When connected to a John Deere tractor remove existing plugs marked 'p' from both ports on return plate and replace with closed centre plugs to convert valve to closed centre.

The main pressure relief valve must then be adjusted to a pressure setting higher than tractor main pressure relief valve

(B) Spool travel stop is factory set and must

MAIN PRESSURE RELIEF VALVE.

not be tampered with as incorrect setting will allow motor to reverse. **PRESSURE FEED**

ENSURE THAT RELIEF VALVE ACTS ON RETURN LINE FROM HYD. MOTOR

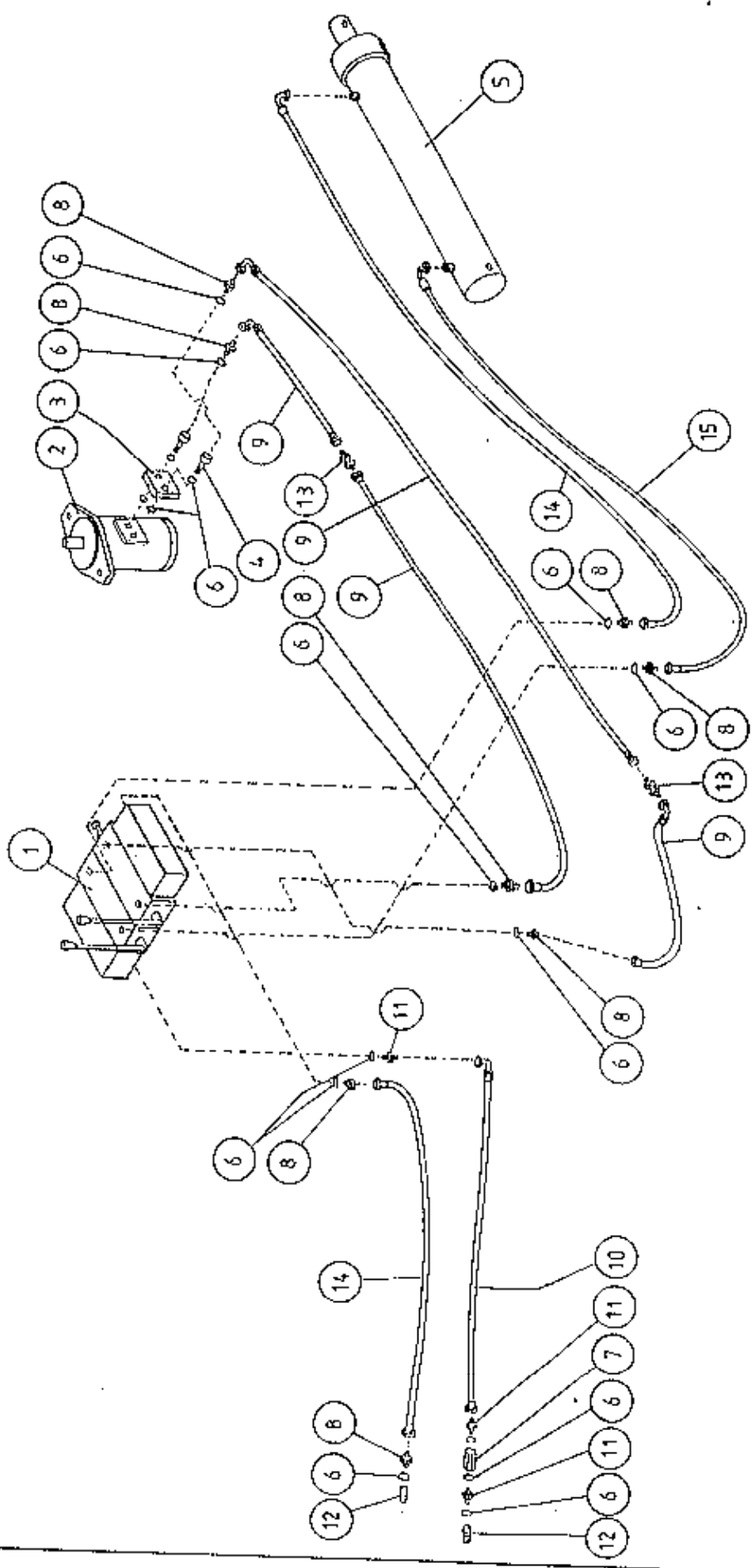
SPOOL TRAVEL STOP

CROSS LINE RELIEF VALVE ASSY
(bolted to hyd. motor)

RETURN

NON RETURN VALVE

RETURN LINE



TANCO AUTOWRAP 200 MODEL (3 pt. LINKAGE) 1992
HYDRAULIC COMPONENTS (DIN)

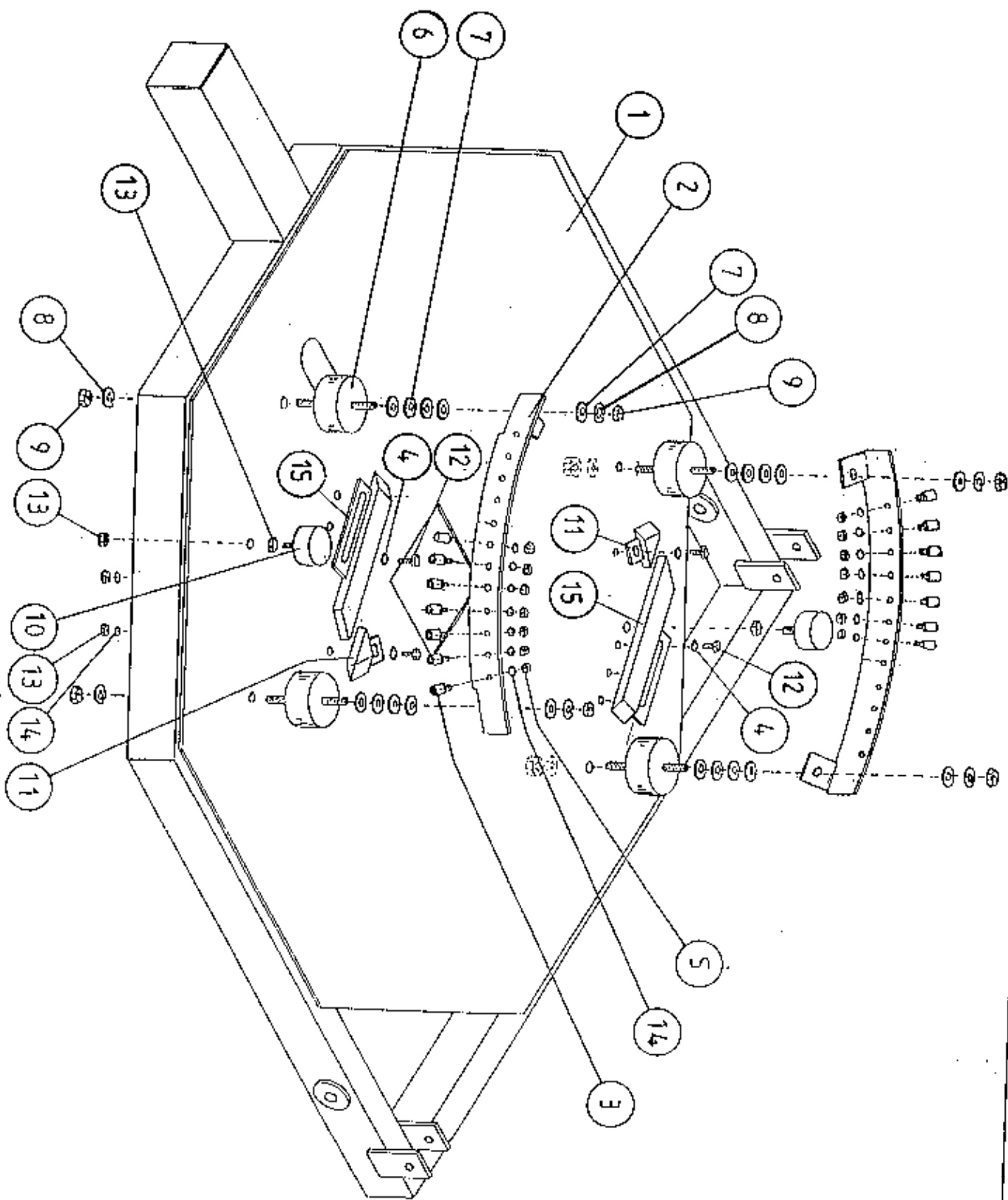
TANCO AUTOWRAP 200 MODEL (3pt LINKAGE) 1992

PARTS LIST

HYDRAULIC COMPONENTS (DIN)

<u>ITEM NO.</u>	<u>DESCRIPTION</u>	<u>QTY.</u>	<u>PART NO.</u>
1.	2 BANK SPOOL VALVE (DIN) C/W LEVERS	1	
2.	HYDRAULIC MOTOR (C.L.)	1	Z01-02-AR75
3.	CROSS LINE RELIEF VALVE	1	Z01-03-002
4.	1/2" RSP BOTTOM BANJO BOLT (SPECIAL)	2	Z01-18-081
5.	HYD. RAM (FOR TIPPING FRAME)	1	Z01-01-AR627
6.	1/2" DONTY WASHER	16	Z01-04-03
7.	1/2" NON RETURN VALVE	1	Z01-03-017
8.	1/2" x 3/8" ADAPTOR	8	Z01-06-06-08
9.	60" ST/90 3/8" D/W HOSE	4	Z38-R2-60-S9
10.	84" ST/90 1/2" S/W HOSE	1	Z12-R1-84-S9
11.	1/2" x 1/2" ADAPTOR	3	Z01-06-08-08
12.	1/2" MALE END Q/R COUPLING	2	Z01-15-081
13.	3/8" x 3/8" BULK HEAD ADAPTOR	2	Z01-05-06-06
14.	84" ST/90 3/8" D/W HOSE	2	Z38-R2-84-S9
15.	72" ST/90 3/8" D/W HOSE	1	Z38-R2-72-S9

TANCO AUTOWRAP 1992 INDEXING QUADRANT ASSY (50% OVERLAP WITH 500mm WIDE FILM ROLL)



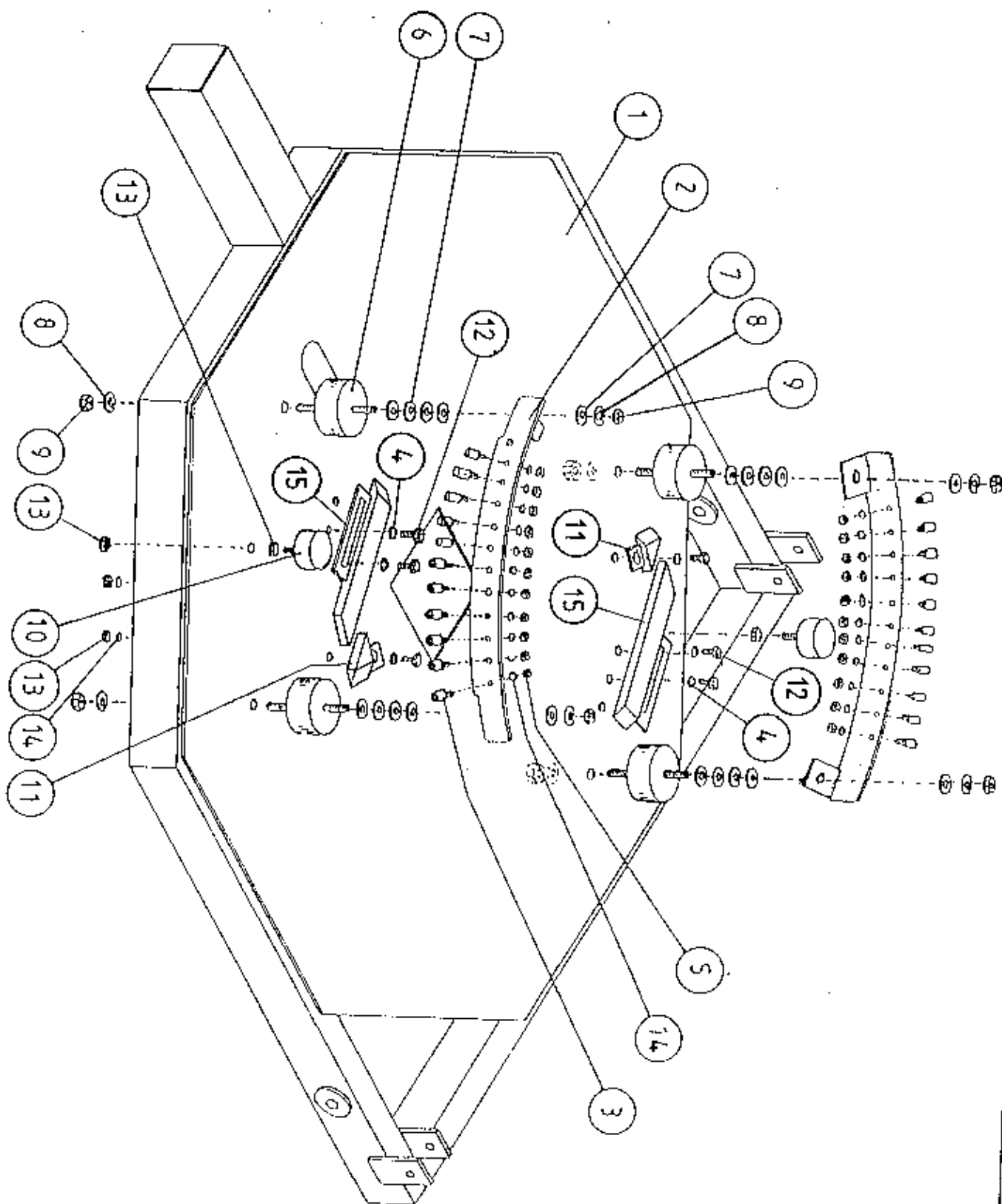
TANCO AUTOWRAP 1992

PARTS LIST

INDEXING QUADRANT ASSEMBLY (50% OVERLAP WITH 500MM WIDE FILM ROLL)

<u>ITEM NO.</u>	<u>DESCRIPTION</u>	<u>QTY.</u>	<u>PART NO</u>
1.	TIPPING FRAME ASSY.	1	WD60-TF
2.	QUADRANT ASSY.	1	WD60-QA
3.	3/4" DIA CAM FOLLOWER (HEAVY DUTY) C/W GREASE NIPPLE	14	Z06-425
4.	20mm DIA FLAT WASHERS	4	Z11-02-10
5.	3/8" UNF LOCKNUTS (BINX)	14	Z20-12
6.	RUBBER BUFFER 100mm DIA x 40mm LONG	4	Z40-22
7.	16mm DIA FLAT WASHERS	20	Z10-02-16
8.	16mm DIA SPRING WASHERS	8	Z12-02-16
9.	M16 HEX NUT	8	Z18-16
10.	RUBBER BUFFER 50mm DIA x 25mm LONG	2	Z40-23
11.	CAM ASSY (SHORT)	2	WD623-CAS
12.	M10 HEX HD SET x 30mm LONG	4	Z26-0625
13.	M10 HEX NUT	8	Z18-10
14.	10mm DIA SPRING WASHER	18	Z12-02-10
15.	CAM ASSY (LONG)	2	WD623-CAL

TANCO AUTOWRAP 1992 INDEXING QUADRANT ASSY (50% OVERLAP WITH 750mm WIDE FILM ROLL)



TANCO AUTOWRAP 1992PARTS LISTINDEXING QUADRANT ASSEMBLY (50% OVERLAP WITH 750MM WIDE FILM ROLL)

<u>ITEM NO.</u>	<u>DESCRIPTION</u>	<u>QTY.</u>	<u>PART NO.</u>
1.	TIPPING FRAME ASSY.	1	WD60-TF
2.	QUADRANT ASSY.	1	WD60-QA
3.	3/4" DIA CAM FOLLOWER (HEAVY DUTY) C/W GREASE NIPPLE	22	Z06-425
4.	10mm DIA FLAT WASHERS	6	Z11-02-10
5.	3/8" UNF LOCKNUTS (BINX)	22	Z20-12
6.	RUBBER BUFFER 100mm DIA x 40mm LONG	4	Z40-22
7.	16mm DIA FLAT WASHERS	20	Z10-02-16
8.	16mm DIA SPRING WASHERS	8	Z12-02-16
9.	M16 HEX NUT	8	Z18-16
10.	RUBBER BUFFER 50mm DIA x 25mm LONG	2	Z40-23
11.	CAM ASSY (SHORT)	2	WD623-CAS
12.	M10 HEX HD SET x 30mm LONG	6	Z26-0628
13.	M10 HEX NUT	8	Z18-10
14.	10mm DIA SPRING WASHER	26	Z12-02-10
15.	CAM ASSY. (LONG)	2	WD623-CAL

OPERATING INSTRUCTION

500mm wide film rolls are used as standard on 200, 300 & 400 autowrap Models while 750mm wide film rolls are used as standard on 500 model. If however it is found necessary to use 500mm wide rolls along with 750mm film dispenser the following instructions must be adhered to: (NOTE: Failure to do so will result in inadequate wrapping and bale spoilage).

1. Fit film adaptor to top end of 500mm wide film roll as shown opposite (Fig. 1).
2. Shorten length of both brake cams by removing M10 x 30 Bolt Item 12. Slacken M10 x 30 Bolt Item 16, Adjust long brake cam Item 15 in direction shown, so that brake re-engages as sprocket leaves last cam follower. Then tighten M10 x 30 Bolt Item 16.

Reduce number of cam followers (Item 3) in each quadrant assembly (Item 2) to 7 off, ensuring that cam followers are removed from correct end of each quadrant assembly. See Fig.2.

4. Adjust height of film mast so that centre of film roll is in line with centre of bale on the turntable.

5. Adjust Bale Wrap indicator setting from 15 to 22 revolutions for 120cm x 120cm bales. (See page 6 for guide to Bale Wrap indicator settings)

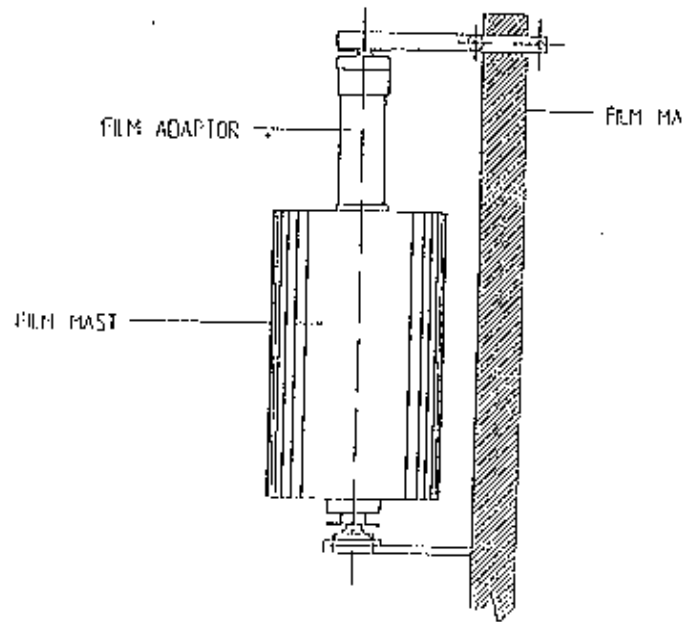


Fig 1

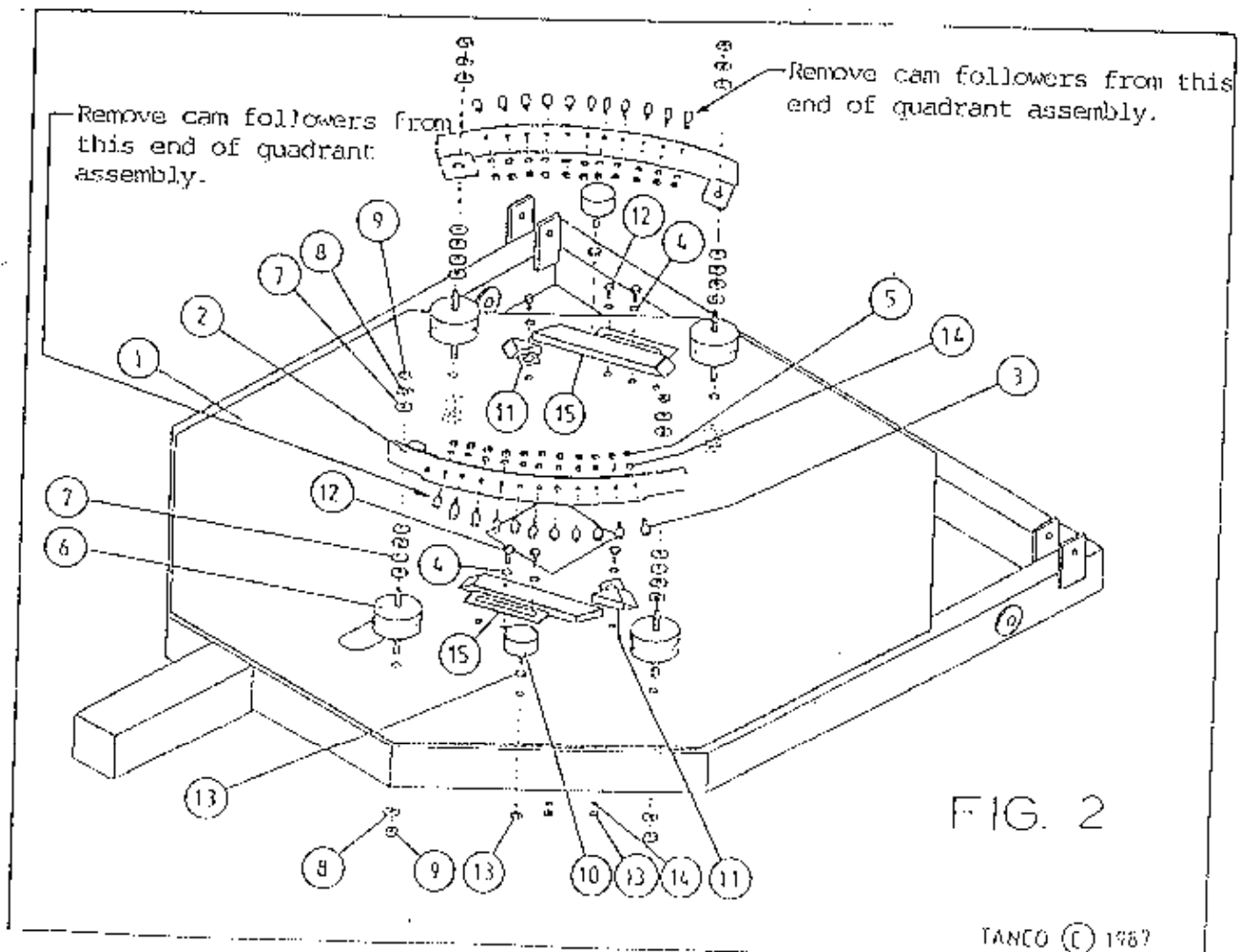
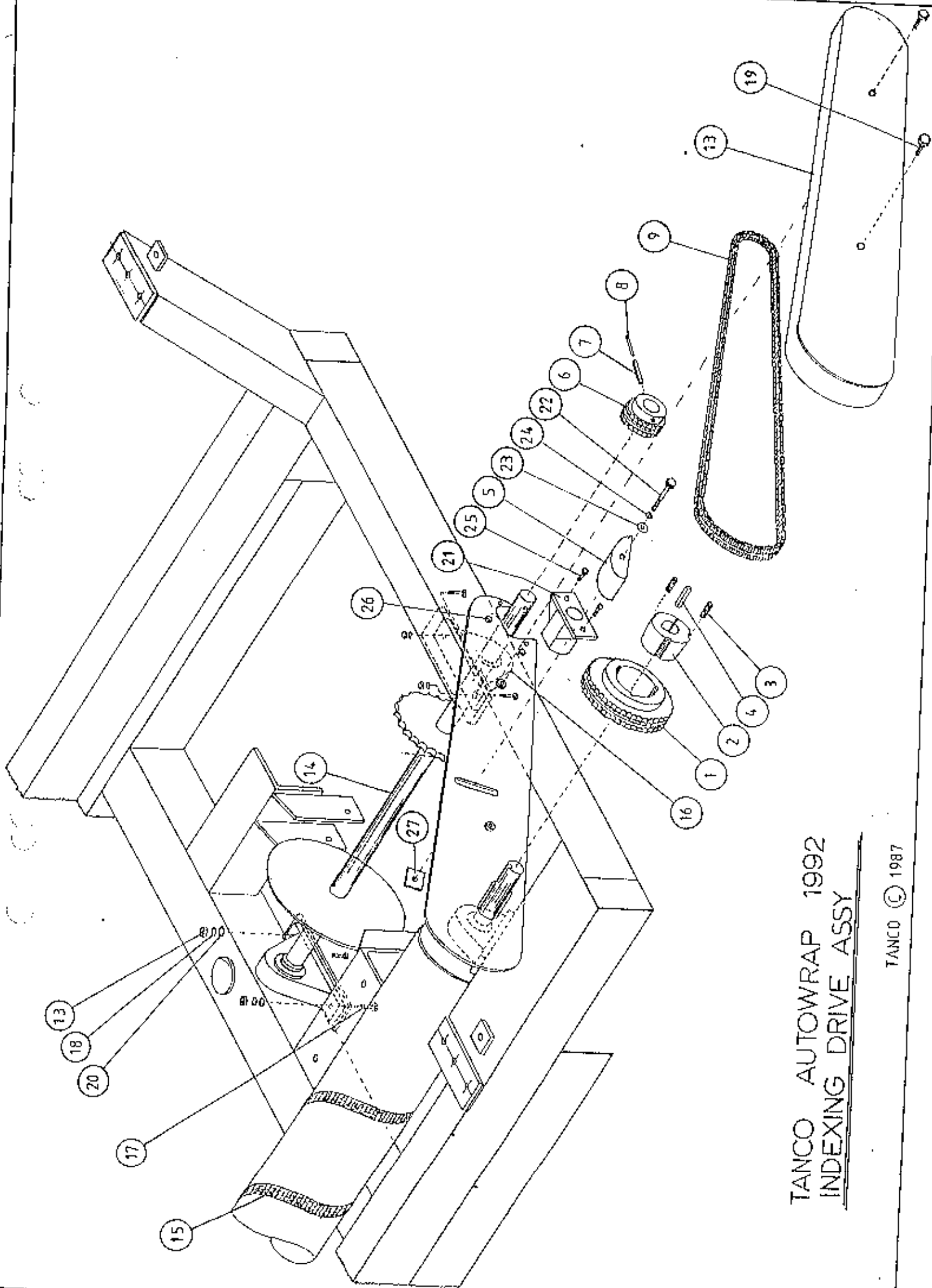
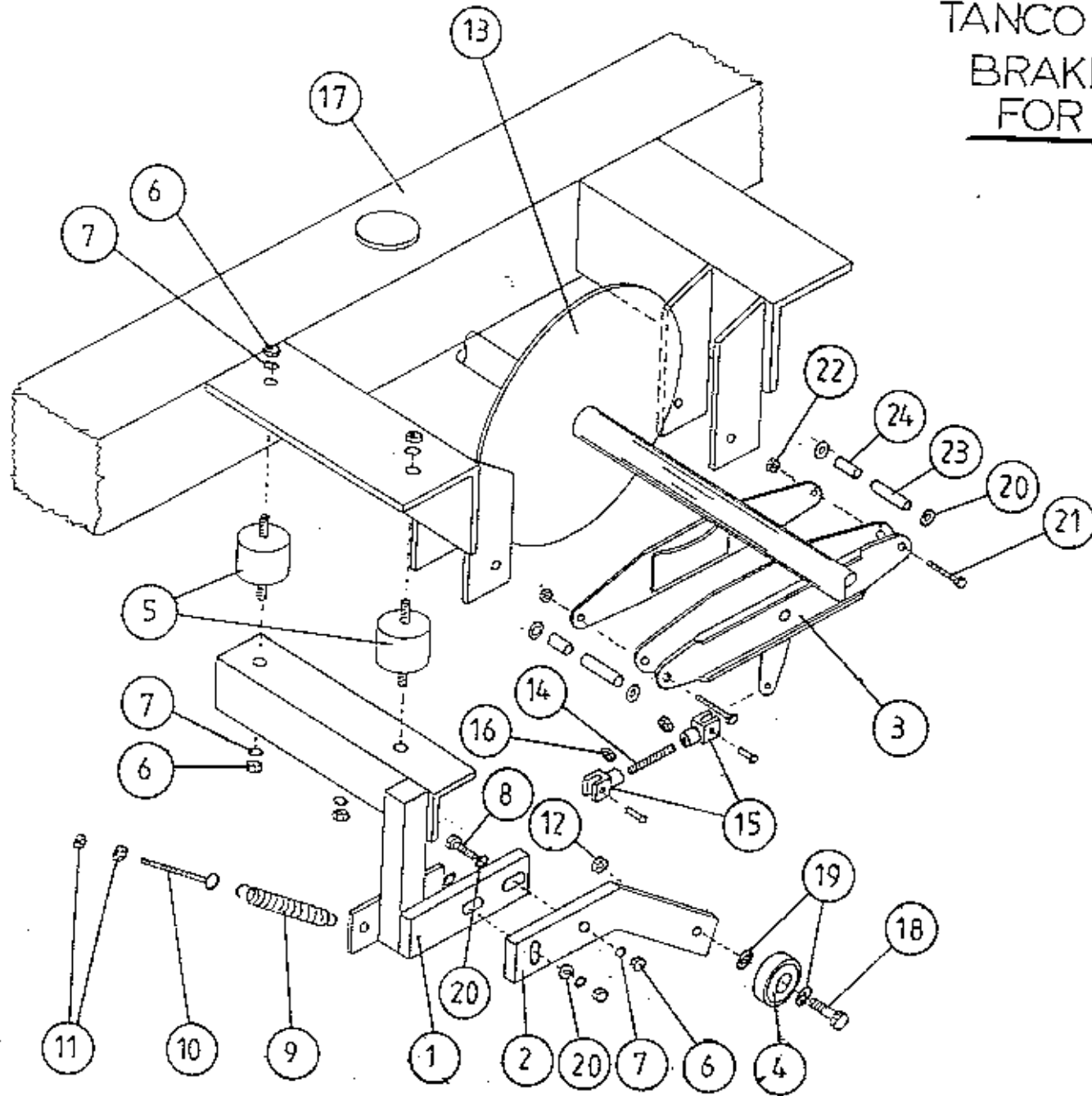


FIG. 2



TANCO AUTOWRAP 1992
INDEXING DRIVE ASSY

TANCO AUTOWRAP 1992
BRAKE ARRANGEMENT
FOR INDEXING SHAFT

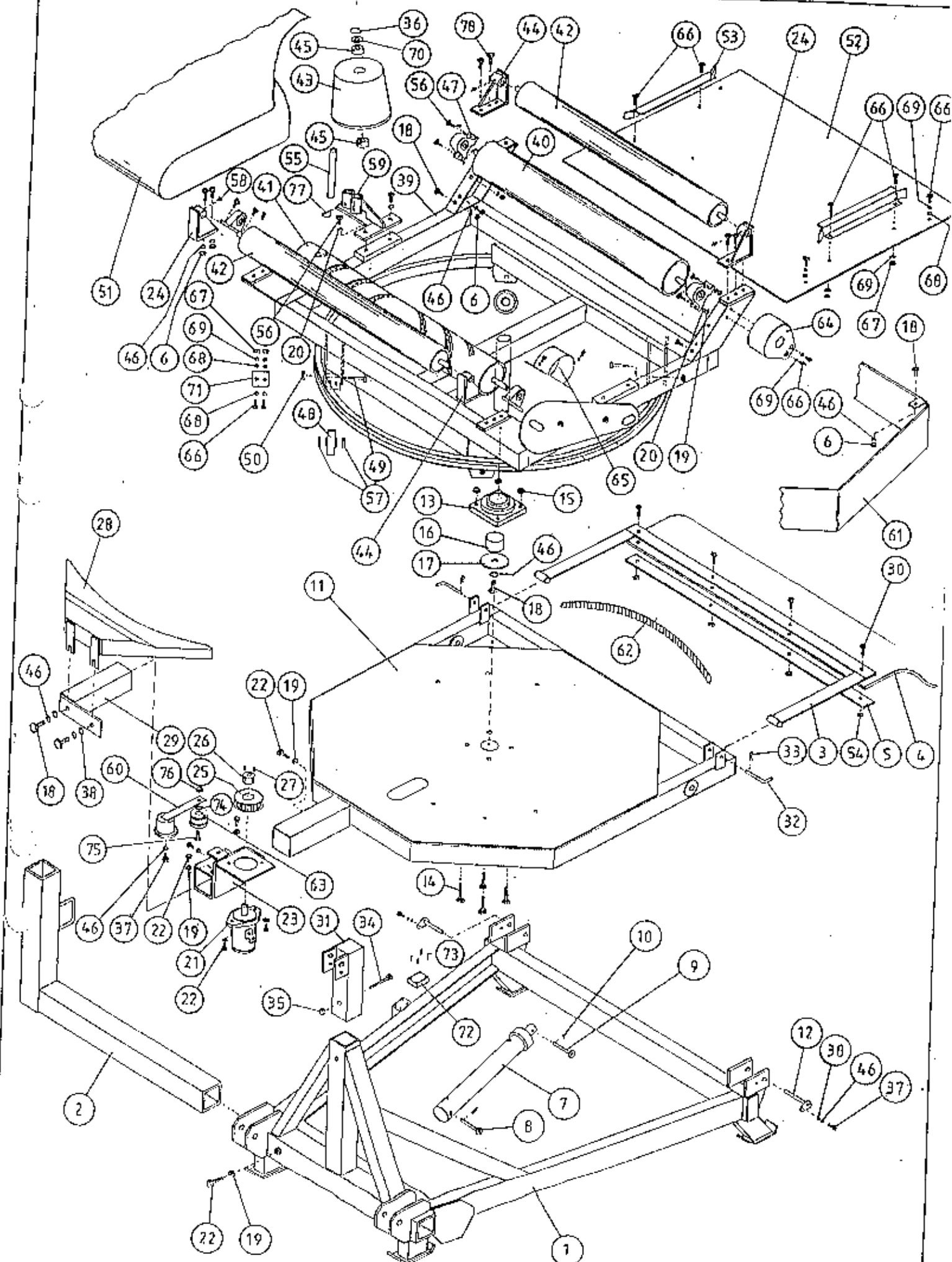


TANCO AUTOWRAP 1992

BRAKE ARRANGEMENT FOR INDEXING SHAFT

PARTS LIST

<u>ITEM NO.</u>	<u>DESCRIPTION</u>	<u>QTY.</u>	<u>PART NO.</u>
1.	CAM FOLLOWER MOUNTING BRACKET (UPPER)	1	WD60-CFMB
2.	CAM FOLLOWER MOUNTING BRACKET (LOWER)	1	WD60-804
3.	CALIPER DISC BRAKE UNIT	1	Z49-92
4.	BALL BEARING (6301)	1	Z06-43
5.	RUBBER BUFFER 50mm DIA x 30 LONG TYPE A 57 SHORE	2	Z40-21
6.	M10 HEX NUTS	6	Z18-10
7.	10mm DIA SPRING WASHERS	6	Z12-02-10
8.	M10 HEX HD SET x 40 LONG	2	Z26-0648
9.	TENSION SPRING	1	Z07-05
10.	EYE BOLT (M8)	1	WD60-EB
11.	M8 HEX NUTS	2	Z18-08
12.	M12 LOCKNUT	1	Z23-12
13.	SPROCKET/SHAFT ASSY	1	WD60-SPRA
14.	5/16" UNF THREADED BAR x 90mm LONG	1	WD60-806
15.	5/16" UNF CLEVIS C/W PIN & CHIP	2	Z49-33
16.	5/16" UNF HEX NUT	2	Z15-05
17.	TURN TABLE	1	WD60-TT
18.	M12 HEX HD. SETS x 40mm LONG	1	Z26-0845
19.	12mm DIA FLAT WASHER	2	Z11-02-12
20.	10mm DIA FLAT WASHER	7	Z11-02-10
21.	3/8" UNF HEX HD. BOLT x 3" LONG	2	Z32B-102
22.	3/8" UNF LOCK NUT	2	Z15-06
23.	SPACER 1/2" O.D. x 13/32" I.D. x 1 1/2" LONG	2	
24.	SPACER 1/2" O.D. x 13/32" I.D. x 1/2" LONG	2	



TANCO AUTOWRAP 200 MODEL (3pt. LINKAGE) 1992

TANCO AUTOWRAP 200 MODEL (3pt. LINKAGE) 1992

PARTS LIST

<u>ITEM NO.</u>	<u>DESCRIPTION</u>	<u>QTY.</u>	<u>PART NO.</u>
1.	3pt. LINKAGE FRAME ASSEMBLY	1	WD63-MF
2.	DISPENSER BRACKET LOWER SUPPORT	1	WD63-DMLH
3.	RUBBER MAT MOUNTING FRAME ASSEMBLY	1	WD63-RMM
4.	RUBBER MAT	1	205-02AMM
5.	CLAMPING PLATE	1	WD63-1300
6.	M10 HEX NUT	16	Z18-10
7.	HYD. RAM	1	Z01-01-AR687
8.	RAM BOTTOM PIVOT PIN	1	Z03-02-330
9.	RAM TOP PIVOT PIN	1	Z03-03-50
10.	2" X 1/4" SPLIT PIN	2	Z03-21-29
11.	TIPPING FRAME ASSY.	1	WD60-TF
12.	TIPPING FRAME PIVOT PIN C/W GREASE NIPPLE	2	Z03-01-905 Z39-60
13.	2" DIA FLANGE BEARING	1	Z06-49
14.	5/8" UNF HEX HD. SET x 2" LONG	4	Z30B-064
15.	5/8" UNF LOCKNUTS	4	Z20-10
16.	SPACER	1	WD60-705
17.	RETAINING COLLAR	1	WD60-75
18.	M10 HEX HD SET x 30mm LONG	11	Z26-062S
19.	M12 HEX NUT	13	Z18-12
20.	12mm DIA SPRING WASHER	14	Z12-02-12
21.	HYD. MOTOR C.L.	1	Z01-02-AR75
22.	M12 HEX HD SETS x 30mm LONG	7	Z26-082S
23.	HYD. MOTOR MOUNTING ASSY.	1	WD60-HMB
24.	ROLLER MOUNTING BRACKET	2	WD60-T3MB1
25.	4"DIA x 1/2" PITCH TOOTHED PULLEY	1	Z09-005-AR1
26.	TAPER LOCK BUSH TO SUIT 1" DIA SHAFT	1	Z09-005-AR2
27.	M10 STUDS X 15mm	2	Z28-01
28.	HYD. MOTOR GUARD ASSY	1	WD60-HMG
29.	HYDRAULIC MOTOR GUARD MOUNTING BRACKET	1	WD60-HAMB
30.	M8 HEX HD SET x 25mm LONG	4	Z26-040S
31.	TOP LINK BRACKET ASSEMBLY	1	WD63-TLR
32.	RISSEL PIN	2	Z03-22-AR100
33.	4mm "R" CLIP	2	Z36-02

TANCO AUTOWRAP 200 MODEL (3pt. LINKAGE) 1992

PARTS LIST

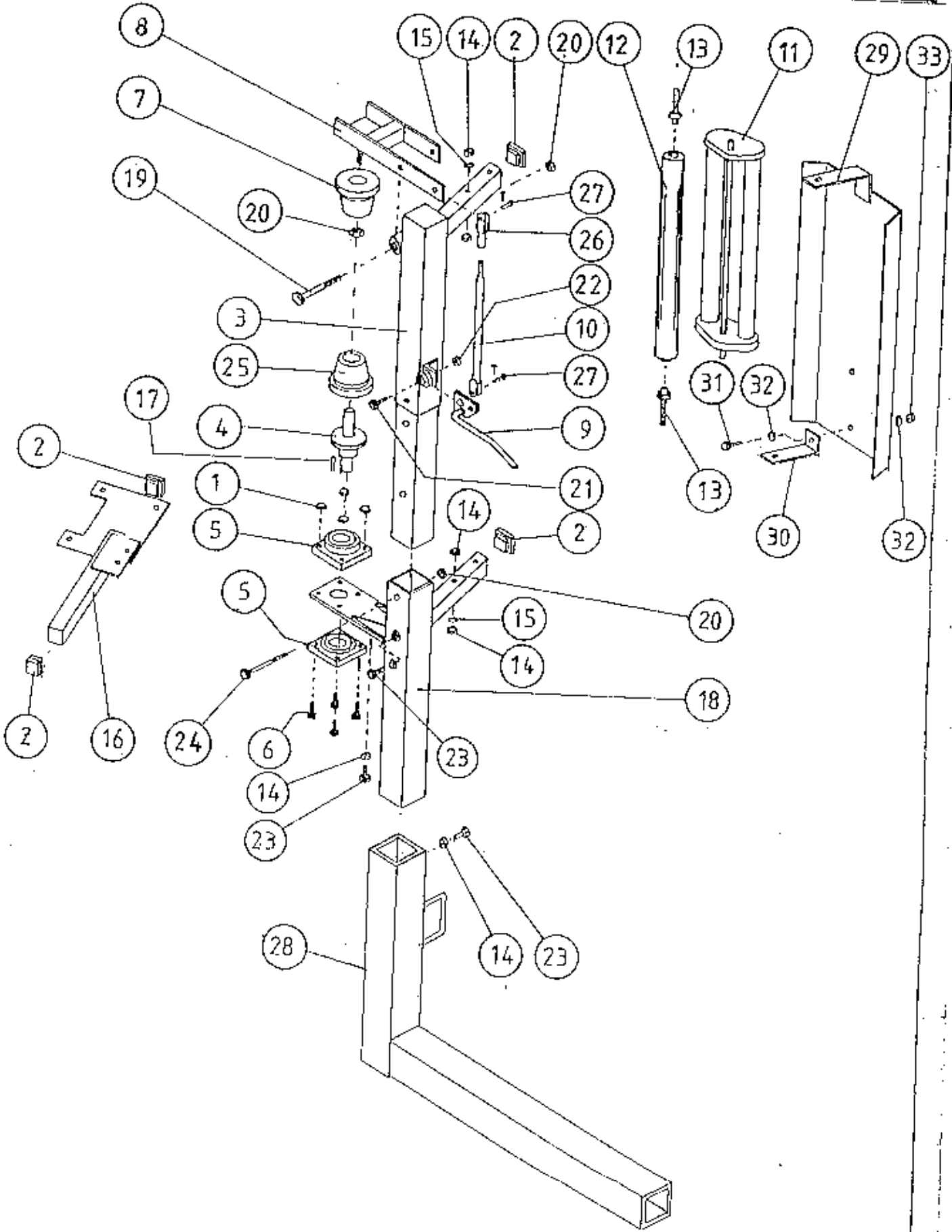
<u>ITEM NO.</u>	<u>DESCRIPTION</u>	<u>QTY.</u>	<u>PART NO.</u>
34.	M16 HEX HD BOLT x 120mm LONG	1	Z26-134B
35.	M16 LOCKNUTS	1	Z23-16
36.	CIRCLIP	2	Z29-75
37.	M10 HEX HD. SET x 25mm LONG (TUFLOCK)	3	Z26S-061
38.	10mm DIA MACHINED FLAT WASHER	4	Z11-02-10
39.	TURN TABLE ASSY.	1	WD60-TT
40.	BIG ROLLER ASSY IDLER	1	WD60-BRI
41.	BIG ROLLER ASSY. DRIVER	1	WD60-BRD
42.	SMALL ROLLER ASSY.	2	WD60-SMR
43.	SIDE ROLLER	2	Z06-AWR
44.	ROLLER MTG. BRACKET	2	WD60-TRMB2
45.	BEARING (25mm I.D.)	4	Z06-413
46.	10mm DIA SPRING WASHERS	22	Z12-02-10
47.	1" PILLOW BLOCK BEARING C/W CAM LOCK COLLAR	4	Z06-47
48.	SUPPORT WHEELS (4" DIA)	4	Z06-466
49.	AXLE ASSY. C/W GREASE NIPPLE	4	Z03-22-AR/AX Z39-60
50.	M20 LOCKNUTS	4	Z23-20
51.	1 METER WIDE x 89 1/2" LONG x 1/4" FLAT BELT	1	Z05-02-AWV
52.	TURN TABLE COVER PLATE	1	WD60-220
53.	BELT GUIDE ASSY.	2	WD60-GD
54.	M8 LOCKNUTS	4	Z23-06
55.	ROLLER SHAFT ASSEMBLY	2	WD60-763
56.	M12 HEX HD. SETS x 40mm LONG	12	Z26S-084
57.	SPACER	8	WD60-198
58.	1/8" B.S.P. ST GREASE NIPPLE	4	Z39-60
59.	END ROLLER MOUNTING BRACKET	2	WD60-ERM
60.	ROSTA TENSIONING UNIT ARM	1	Z06-454
61.	MAIN GUARD ASSY.	1	WD60-MG
62.	170" LONG x 1/2 PITCH x 1" WIDE TOOTHED BELT	1	Z05-02-AW2
63.	STEPPED ROLLER C/W BEARINGS	1	Z06-456

TANCO AUTOWRAP 200 MODEL (3pt. LINKAGE) 1992

PARTS LIST

<u>ITEM NO.</u>	<u>DESCRIPTION</u>	<u>QTY.</u>	<u>PART NO.</u>
64.	GRASS GUARD (CLOSED TYPE)	3	249-98
65.	GRASS GUARD (OPEN TYPE)	1	249-981
66.	M8 HEX HD SETS x 20mm LONG	20	226-0198
67.	M8 HEX NUTS	14	218-08
68.	8mm DIA FLAT WASHERS (MOD FLAP)	20	211-02-081
69.	8mm DIA SPRING WASHERS	20	212-02-08
70.	THRUST WASHER	2	WD60-292
71.	SCRAPER	2	WD60-705
72.	COUNTER (RE-SETTABLE TYPE)	1	249-911
73.	3mm DIA POP RIVET	4	203-25-93
74.	SPACER	1	218-12
75.	M10 HEX HD BOLT x 50mm LONG	1	226-0678
76.	M10 LOCKNUT	1	223-10
77.	10mm "D" BRUSH PIN	2	238-03
78.	M10 HEX HD SET x 35mm LONG	8	226-0635

TANCO AUTOWRAP 200 MODEL 3PT. LINKAGE 1992 FILM DISPENSING SYSTEM



TANCO AUTOWRAP 200 MODEL (3 PT.LINKAGE) 1992

FILM DISPENSING SYSTEM

PARTS LIST

<u>ITEM NO.</u>	<u>DESCRIPTION</u>	<u>QTY.</u>	<u>PART NO.</u>
1.	M10 LOCKNUTS	4	Z23-10
2.	PLASTIC CAPS (TO SUIT 40 x 40 x 3 RHS)	4	Z32-07
3.	DISPENSER MOUNTING (UPPER)	1	WD60-DMUII
4.	FILM SPOOL ASSEMBLY	1	WD60-SPOA
5.	1" DIA FLANGE BEARING C/W CAM LOCK	2	
6.	M10 HEX HD. BOLT x 50mm LONG	4	Z26-0668
7.	CONE (TOP) C/W BALL BEARINGS	1	Z06-45-01
8.	CLAMP ASSEMBLY	1	WD60-DMCA
9.	LEVER ASSEMBLY	1	WD60-DMCA
10.	LINK ASSEMBLY	1	WD60-DMCA
11.	FILM DISPENSER UNIT MK 6	1	WD60-DISEK
12.	SLAVE ROLLER ASSY (PLASTIC COATED)	1	D613
13.	SLAVE ROLLER PIVOT	1	WD60-SLR
14.	M12 HEX NUTS	3	WD60-253
15.	12mm DIA SPRING WASHER	7	Z18-12
16.	SPOOL VALVE MOUNTING PLATE ASSEMBLY	2	Z12-02-12
17.	1/4" DIA TENSION PIN x 3/4" LONG	1	WD63-SVMP
18.	DISPENSER MOUNTING (LOWER)	1	Z03-20-952
19.	M12 HEX HD BOLT x 130mm LONG	2	WD60-DMUII
20.	M12 LOCKNUT	1	Z26-094B
21.	M8 HEX HD BOLT x 35mm LONG	3	Z23-12
22.	M8 LOCKNUT	1	Z26-042S
23.	M12 HEX HD SET x 30mm LONG	1	Z23-06
24.	M12 HEX HD BOLT x 100mm LONG	3	Z26-082H
25.	CONE (BOTTOM)	1	Z26-092B
26.	CLEVIS (M10)	1	Z06-45-02
27.	PIN (5/16" DIA) C/W CLIP	1	Z49-336
28.	DISPENSER BRACKET LOWER SUPPORT	2	Z49-337
29.	FILM GUARD ASSY.	1	WD63-DMUII
30.	FILM GUARD MOUNTING BRACKET	1	WD623-FG
31.	M3 HEX HD SET x 25mm	1	WD623-FGM
32.	8mm DIA FLAT WASHER	1	Z26-040S
33.	M3 LOCKNUT	2	Z11-02-03
		1	Z23-06

TANCO AUTOC.VRASM 199 DRIVE BELT TENSIONING SYSTEM.

BELT TENSIONING PROCEDURE

1. CHECK THAT HYDRAULIC MOTOR MOUNTING BRACKET IS SECURED IN POSITION USING 25mm DIMENSION AS SHOWN.
2. LOOSEN M10 BOLT SECURING BELT TENSIONER.
3. TENSION BELT BY ADJUSTING TENSIONER USING SPANNER IN DIRECTION OF ARROW 'X' UNTIL SETTING OF 25-30 IS REACHED.
4. RE-TIGHTEN M10 BOLT TO SECURE TENSIONER IN POSITION.

