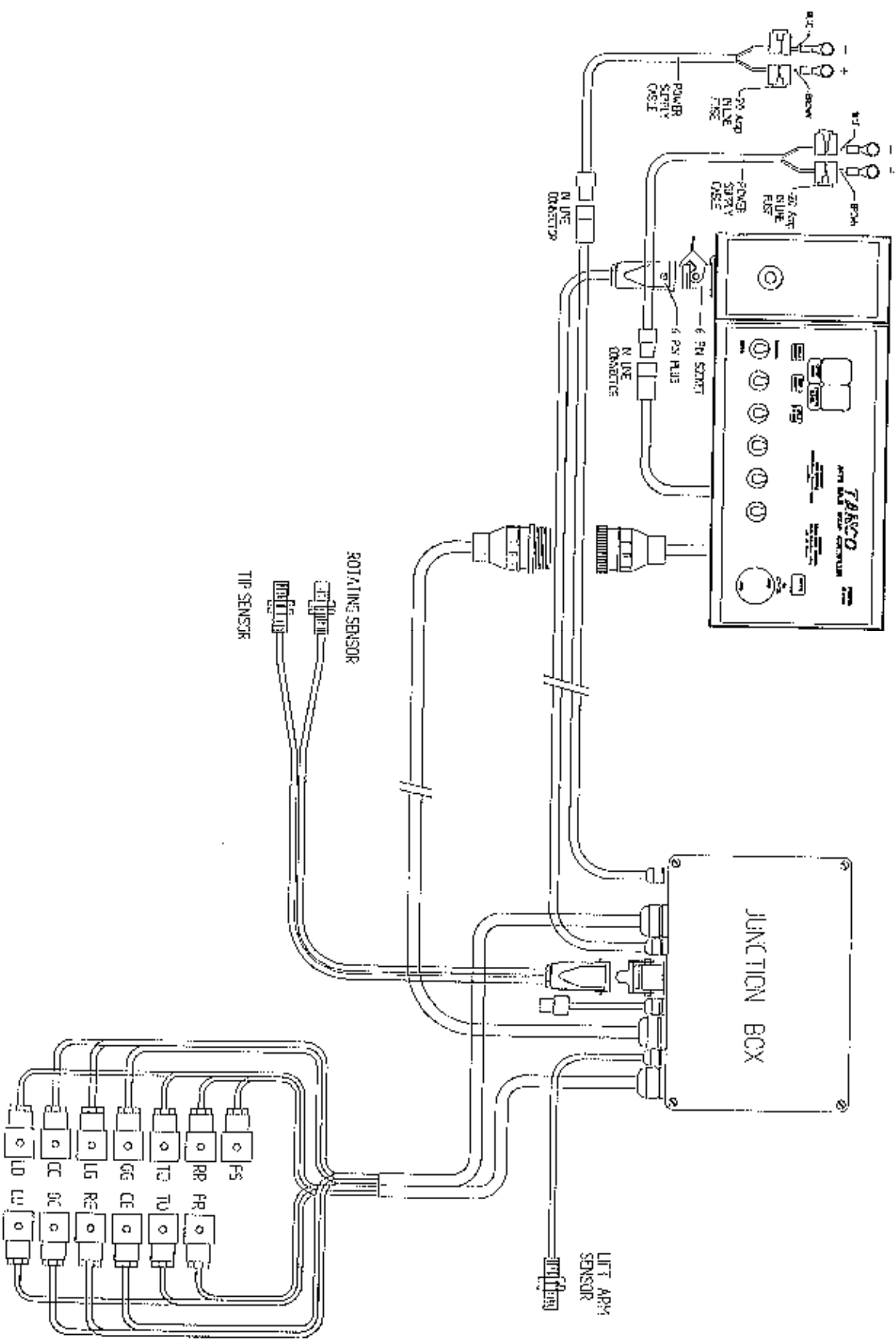


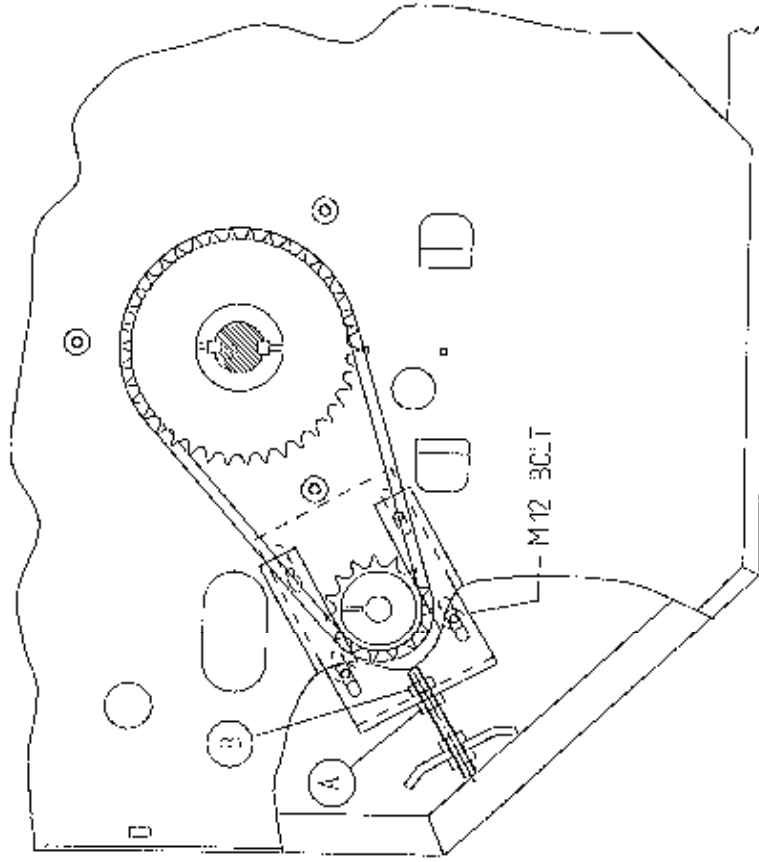
**TANCO AUTOWRAP
1080ATP MODEL 1999
C/W "TWIN-PAK" LOADING ARM
OPERATORS HANDBOOK
AND
PARTS LIST
WD90-1080-ATP-MO199**

TANCO AUTOWRAP 1080A MODEL C/W "TWIN-PAK" LOADING ARM
 JUNCTION BOX AND CONTROLLER



FILE NAME 92261

TANCO AUTOWRAP TURNTABLE CHAIN DRIVE TENSIONING SYSTEM

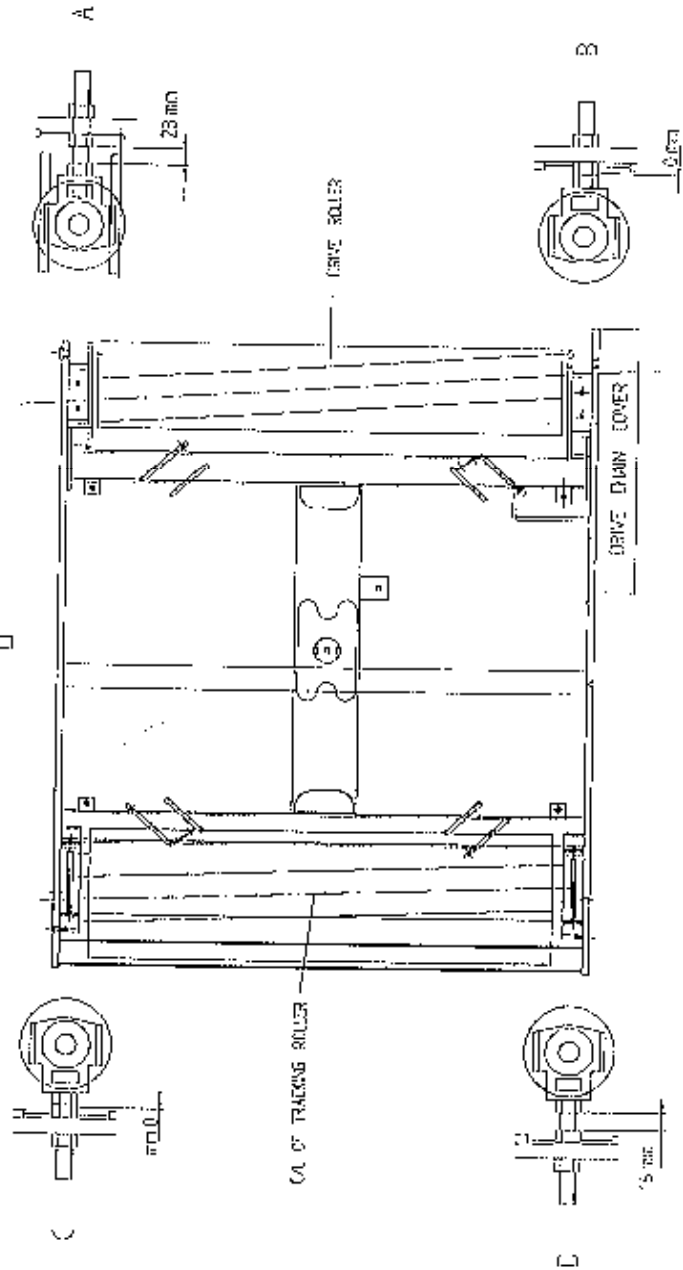
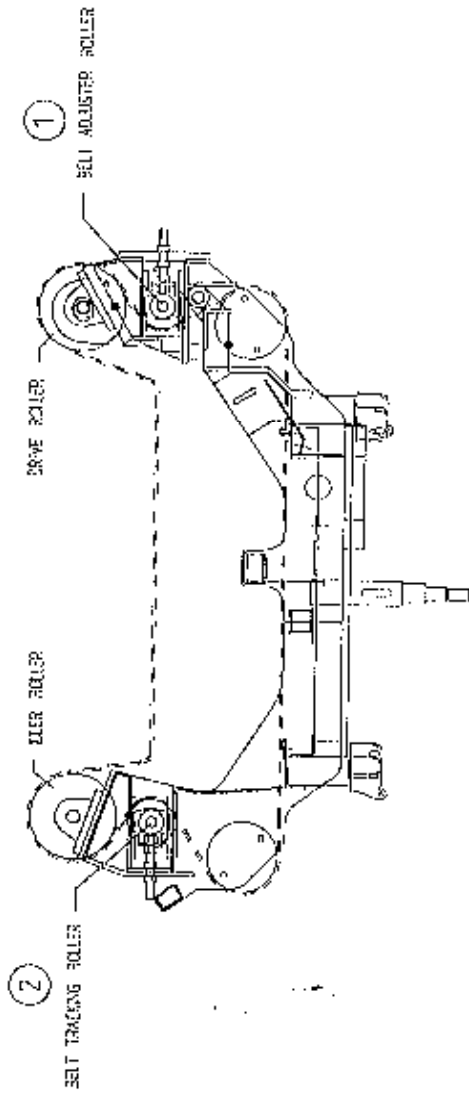


TENSIONING PROCEDURE

1. TIP UP MACHINE AND SUPPORT WITH A PROP.
 2. REMOVE CHAIN GUARD.
 3. SLACKEN M12 CLAMPING BOLTS SLIGHTLY.
 4. SLACKEN LOCKNUT A.
 5. ADJUST NUT B UNTIL THERE IS 8mm-10mm DEFLECTION ON CHAIN.
- NOTE WARNING:
DO NOT OVER TENSION CHAIN AS MOTOR WILL BE DAMAGED
6. TIGHTEN LOCKNUT A.
 7. TIGHTEN M12 CLAMPING BOLTS.
 8. REFT. CHAIN GUARD.

Fig. 3

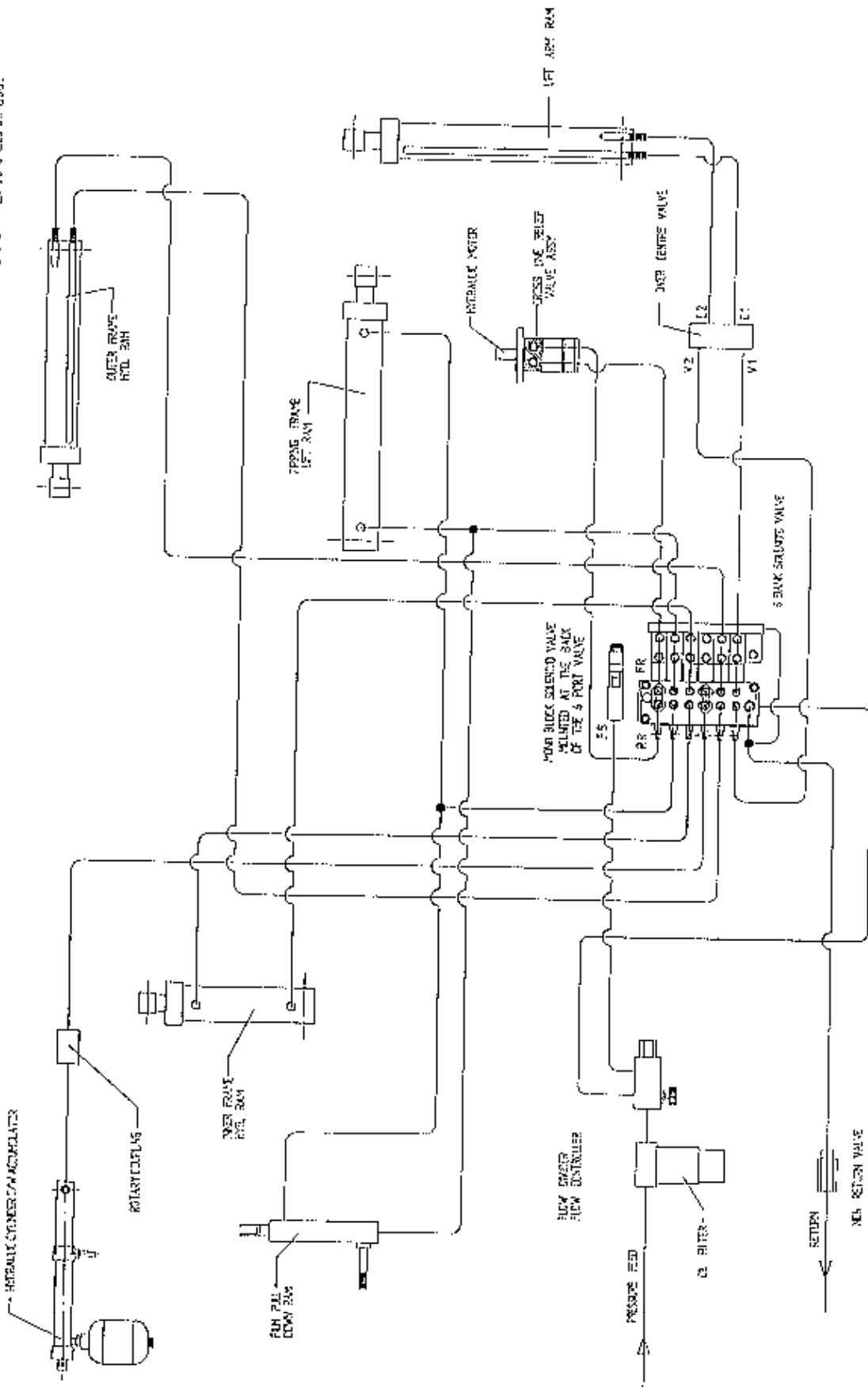
1080 AUTOWRAP BALE BELT TRACKING



B.T. 1

FILE YAYZ 9228 A

TANCO AUTOWRAP '660 ATP MODEL "TWIN-PAK" HYDRAULIC CIRCUIT DIAGRAM



FOR ELECTRICAL CONNECTIONS
 SEE ELECTRICAL CONNECTIONS

2 2 2

2 2 2

WD68-PL46

TANCO AUTOWRAP 1080-ATP MODEL
'TWIN PAK' HYDRAULIC COMPONENTS

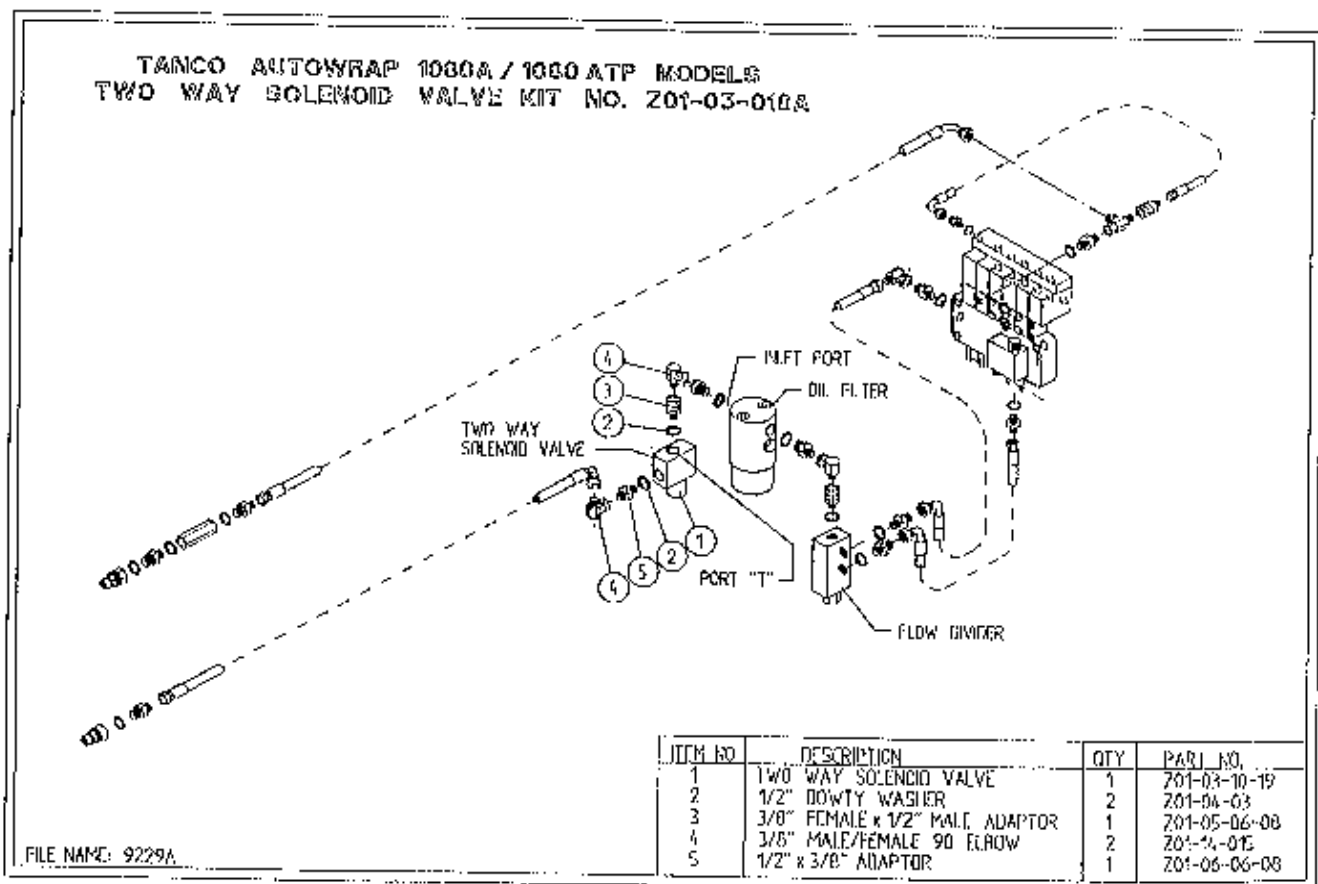
PARTS LIST

ITEM NO.	DESCRIPTION	QTY	PART NO
1	6 BANK SOLENOID VALVE	1	Z01-03-A1060TP
2	HYDRAULIC MOTOR C.L.	1	Z01-02-RF200
3	CROSS LINE RELIEF VALVE	1	Z01-03-004
4	1/2" B.S.P. BOTTOM BANJO BOLT (SPECIAL)	2	Z01-03-002B
5	HYDRAULIC RAM (TIPPING FRAME)	1	Z01-01-AR687
6	1/2" DOWTY WASHER	11	Z01-04-03
7	1/2" NON RETURN VALVE	1	Z01-03-017
8	1/2" x 3/8" ADAPTOR	4	Z01-06-06-08
9	1/2" x 1/2" ADAPTOR	3	Z01-06-08-08
10	1/2" MALE END Q/R COUPLING	2	Z01-15-081
11	HYD. RAM (FOR LIFT ARM)	1	Z01-01-AW
12	108" ST/90 3/8" D/W HOSE	2	Z38-R2-108-S9
13	72" ST/90 3/8" D/W HOSE	5	Z38-R2-72-S9
14	84" ST/90 3/8" D/W HOSE	1	Z38-R2-84-S9
15	24" ST/90 3/8" D/W HOSE	2	Z38-R2-24-S9
16	36" ST/90 3/8" D/W HOSE	1	Z38-R2-36-S9
17	12" ST/90 3/8" D/W HOSE	1	Z38-R2-12-S9
18	HYD. RAM (INNER FRAME)	1	Z01-01-DA980
19	48" ST/90 3/8" D/W HOSE	1	Z38-R2-48-S9
20	FILTER	1	Z01-24-08
21	3/8" x 3/8" ADAPTOR FITTED WITH 0.06" RESTRICTO	1	Z01-03-40
22	12" ST/90 3/8" D/W HOSE	2	Z38-R2-12-S9
23	108" ST/90 1/2" D/W HOSE	2	Z12-R2-108-S9
24	HYD RAM D/A (PULL DOWN ARM)	1	Z01-01-AW25
25	1/4" DOWTY WASHER	1	Z01-04-01
26	1/4" x 3/8" ADAPTOR	1	Z01-06-04-06
27	3/8" MALE x 3/8" FEMALE ADAPTOR	2	Z01-05-06-06
28	3/8" MALE/FEMALE 90 ELBOW	2	Z01-14-015
29	IN LINE FLOW DIVIDER	1	Z01-03-10-A6
30	3/8" DOWTY WASHER	22	Z01-04-02
31	3/8" x 3/8" ADAPTOR	20	Z01-06-06-06
33	OVER CENTRE VALVE	1	Z01-03-10-A8
35	COPPER WASHER	2	Z01-04-15
37	3/8" BULKHEAD ADAPTOR	1	Z01-06-05-06
38	120" ST/90 3/8" D/W HOSE	2	Z38-R2-120-S9
39	96" ST/90 3/8" HOSE	2	Z38-R2-96-S9
40	48" ST/ST 3/8" D/W HOSE	4	Z38-R2-48-S9
41	14" ST/90 3/8" D/W HOSE	2	Z38-R2-14-S9
42	HYD RAM (FOR SQUEEZ ARM)	1	Z01-01-AW1070
43	CUT AND START	1	Z01-01-ANH
44	ROTARY COUPLING	1	Z01-02-AWR
45	3/8" BANJO COUPLING	1	Z01-19-062
46	3/8" SINGLE TOP BANJO BOLT	1	Z01-20-062
47	3/8" MALE x 3/8" MALE x 3/8" FEMALE 'T' PIECE	2	Z01-12-002
48	1/2" MALE x 1/2" FEMALE 90 ELBOW	1	Z01-14-016
49	3/8" MALE x 1/2" FEMALE ADAPTOR	1	Z01-05-06-08

**INSTRUCTION FOR FITTING TWO WAY SOLENOID VALVE CLOSED CENTRE
CONVERSION KIT TO TANCO AUTOWRAP 1080A / 1080ATP MODELS.**

REQUIRED WHEN OPERATING MACHINES ON TRACTORS WITH CLOSED CENTRE
HYDRAULIC SYSTEMS.

1. Disconnect St/19'm hose from inlet port on oil filter.
2. Connect port "T" on solenoid valve assembly to inlet port on oil filter.
3. Reconnect St/90 hose to port "P" on solenoid valve.
4. Connect 2 pin female connector to existing 2 pin connector at junction box.
5. Change the seventh controller function setting from n to J. See instruction manual for further information.



**TANCO AUTOWRAP 1080 MODEL
CONSTANT INDEXING DRIVE ASSEMBLY
PARTS LIST**

WD90PL32

ITEM NO	DESCRIPTION	QTY	PART NO
1	TURNTABLE ASSY	1	WD90-TA
2	TIPPING FRAME ASSY	1	WD67-TF
3	DRIVE ROLLER ASSY	1	WD610-BRD1
4	GEAR BOX	1	Z01-25-300
5	M12 HEX HD SET x 30mm LONG	4	Z26-082S
6	12mm DIA SPRING WASHER	7	Z12-02-12
7	CHAIN TENSIONER	2	WD60-CT
8	CENTRE SPROCKET ASSY 27 TOOTH	1	WD64-CSA
9	M12 HEX HD SET x 25mm LONG	3	Z26-081S
10	46 TOOTH SPROCKET	1	Z06-D64-46S
11	M10 HEX HD SET x 25 mm LONG	1	Z25-0611S
12	10mm DIA SPRING WASHER	8	Z12-02-01
13	RETAINING COLLAR	4	WD623-071
14	CHAIN 3/4" PITCH x 101 PITCHES	1	Z09-AW-56
15	ROSTA TENSIONING UNIT ARM	1	Z06-454
16	SPROCKET	1	Z06-D610-1620
17	M10 HEX HD BOLT x 65mm LONG	1	Z26-0671B
18	SPROCKET	1	Z06-D610-20K
19	M10 LOCKNUT	1	Z23-10
20	CHAIN 3/4" PITCH x 50 PITCHES	1	Z09-AW-52
21	CHAIN 3/4" PITCH x 75 PITCHES	1	Z09-AW-75
22	CHAIN STRIPPER	1	TD610-185
23	M10 HEX NUT	2	Z18-10
24	10mm DIA FLAT WASHER	6	Z10-02-10
25	M10 HEX HD SET x 30mm LONG	3	Z26-062S
26	KEY 12mm x 10mm x 55mm LONG	1	WD610-198
27	M10 CUP SQ. SCREW x 30mm LONG	1	Z13-112
28	M10 HEX HD BOLT x 80mm LONG	1	Z26-00691B
29	CHAIN GUARD (SMALL)	1	WD90-CGS
30	CHAIN GUARD (LARGE)	1	WD90-044
31	M10 HEX HD SET x 25mm LONG (TUFLOCK)	3	Z26-061S
32	SPROCKET/BRACKET PIVOT SHAFT	1	WD610-71
33	1" UNC LOCKNUT	1	Z23-251
34	1" DIA H/D FLAT WASHER	2	Z10-02-25
35	LOCKING PLATE	2	WD623-060
36	SPIRAL PIN	2	Z03-23--062
37	SPROCKET	1	Z06-D65-1316S
38	M6 GRUB SCREW	2	Z28-006
39	CHAIN TENSIONER BRACKET	1	WD610-CTB1
40	CHAIN TENSIONER BLOCK ASSY INNER	1	WD610-TB11
41	CHAIN TENSIONER BLOCK ASSY OUTER	1	WD610-TB01
42	SPRING 14.5mm O.D. x 1.6mm WIRE x 60mm LONG	1	Z07-48
43	M10 HEX HD SET x 40mm LONG	1	Z26-064S
44	OILITE BUSH	2	Z06-106
45	M10.9 x 30mm SETS	2	Z26-062S11
46	MAGNET	2	D6043
47	M6 CSK HD SET x 35mm LONG	2	Z13-132
48	6mm DIA FLAT WASHER	2	Z11-02-06
49	M6 LOCKNUT	2	Z23-06

**TANCO AUTOWRAP 1080 MODELS
PARTS LIST**

WD90PL30

ITEM NO.	DESCRIPTION	QTY	PART NO.
1	CHASIS ASSY	1	WD67-CHA
2	STUB AXLE (LONG)	1	Z04-0336
3	WHEELS	2	Z04-04-1070
4	WHEELS NUTS	10	M22AWNA
5	BISSEL PIN	1	WD60-861
6	M10 HEX NUT	3	Z18-10
7	HYD RAM	1	Z01-01AR687
8	RAM BOTTOM PIVOT PIN	1	Z03-02-330
9	RAM TOP PIVOT PIN	1	Z03-03-50
10	2" x 1/4" SPLIT PIN	2	Z03-21-29
11	TIPPING FRAME ASSY	1	WD67-TF
12	TIPPING FRAME PIVOT PIN C/W GREASE NIPPLE	2	Z03-01-9055
13	BELT GUIDE ASSEMBLY	1	WD610-BG1
14	BELT GUIDE ASSEMBLY	1	WD610-BG2
15	INNER BEARING	2	M22AB-209
16	SCREW JACK ASSEMBLY (WELD ON)	1	WD60-JA
17	M8 HEX HD SETS x 20mm LONG	4	Z26-039S
18	M8 HEX NUTS	14	Z18-08
19	8m DIA FLAT WASHERS (MUD FLAP)	8	Z11-02-081
20	8mm DIA SPRING WASHERS	12	Z12-02-08
21	SCRAPER	2	WD60-711
22	STUB AXLE SHORT	1	Z04-032
23	4 mm "R" CLIP	1	Z36-02
24	RING HITCH ASSY (LONG)	1	WD65-HIT
25	M16 HEX HD SET x 25mm LONG	4	Z26-124S
26	M16 LOCKNUTS	4	Z23-16
27	M10 HEX HD SET x 25mm LONG	2	Z26-060SY
28	10mm DIA MACHINED FLAT WASHER	2	Z11-02-10
29	TURN TABLE ASSY	1	WD610-TA2
30	10mm DIA SPRING WASHER	5	Z12-02-10
31	SUPPORT WHEELS	4	Z06-466
32	AXLE ASSY C/W GREASE NIPPLE	4	Z03-22-AW/AX
33	M20 LOCKNUTS	4	Z23-20
34	TURN TABLE COVER PLATE	1	WD80-093
35	SPACER	8	WD60-198
36	OUTER BEARING	2	M22AB-206
37	FILM TRANSPORT BRACKET	1	WD60-FTB1
38	CLAMPING PLATE	1	WD60-933
39	M10 HEX HD BOLT x 140mm LONG	3	Z26-0726B
40	PLASTIC CAP	2	Z32-08
41	M10 HEX HD BOLT x 80mm LONG	1	Z26-0691B
42	M10 LOCK NUT	1	Z23-10
43	END ROLLER MOUNTING BRACKET	2	WD610-RMB
44	END ROLLER SHAFT ASSY	4	WD610-RSA
45	10mm DIA "D" LINCH PIN	6	Z38-03
46	SIDE ROLLER	4	Z06-AWR
47	BEARING 25mm I.D.	4	Z06-AWRB-93
48	THRUST WASHER	4	WD60-292
49	PLASTIC CAP	4	Z06-AWRC
50	CIRCLIP	4	Z28-525

**TANCO AUTOWRAP
TURNTABLE CHAIN DRIVE ASSEMBLY**

PARTS LIST

ITEM NO	DESCRIPTION	QTY	PART NO
1	TIPPING FRAME ASSY	1	WD67-TF
2	38 TOOTH x 1" PITCH SPROCKET	1	Z06-D64-38
3	CHAIN 1" PITCH x 54 PITCHES	1	Z09-AW6
4	SPINDLE SPACER	1	WD64-040
5	KEY 5/8" SQ x 50mm LONG	2	WD64-052
6	15 TOOTH x 1" PITCH SPROCKET	1	Z06-I60-046
7	KEY 5/16" SQ x 45mm LONG	1	WD64-053
8	LOCKING COLLAR	1	WD623-071
9	10mm DIA SPRING WASHER	1	Z12-02-10
10	3/8" UNC HEX HD SET x 1" LONG	1	Z27-023S
11	2" DIA FLANGE BEARING		
	C/W CAM LOCK COLLAR	1	Z06-49EC
12	5/8" UNF HEX HD SET x 2" LONG	4	Z31B-064
13	5/8" UNF LOCKNUT	4	Z20-10
14	HYDRAULIC MOTOR	1	Z01-02-RF200
15	HYDRAULIC MOTOR MOUNTING PLATE	1	WD64-001
16	M12 x 50mm ALLEN HD O/S SCREW	4	Z13-5-12X50
17	M12 HEX HD SET x 30mm LONG	4	Z26-082S
18	12mm DIA SPRING WASHER	4	Z12-02-12
19	12mm DIA FLAT WASHER	4	Z10-02-12
20	M16 THREADED BAR x 150mm LONG	1	WD64-038
21	M16 HEX NUT	4	Z18-16
22	SPACER	1	W60-093
23	M12 LOCKNUTS	4	Z23-12
24	M12 HEX HD SET x 50mm LONG	2	Z26-086S
25	DRIVE CHAIN GUARD	2	WD66-DCC
26	M12 HEX NUT	2	Z18-12
27	M6 HEX NUT	1	Z18-06
28	M6 90 DEGREL GREASE NIPPLE	1	Z39-65
29	M12 GRUB SCREW x 16mm LONG	2	Z28-012

**TANCO AUTO WRAP 1080 MODELS
BALE BELT ROLLER MOUNTING BRACKETS**

PARTS LIST

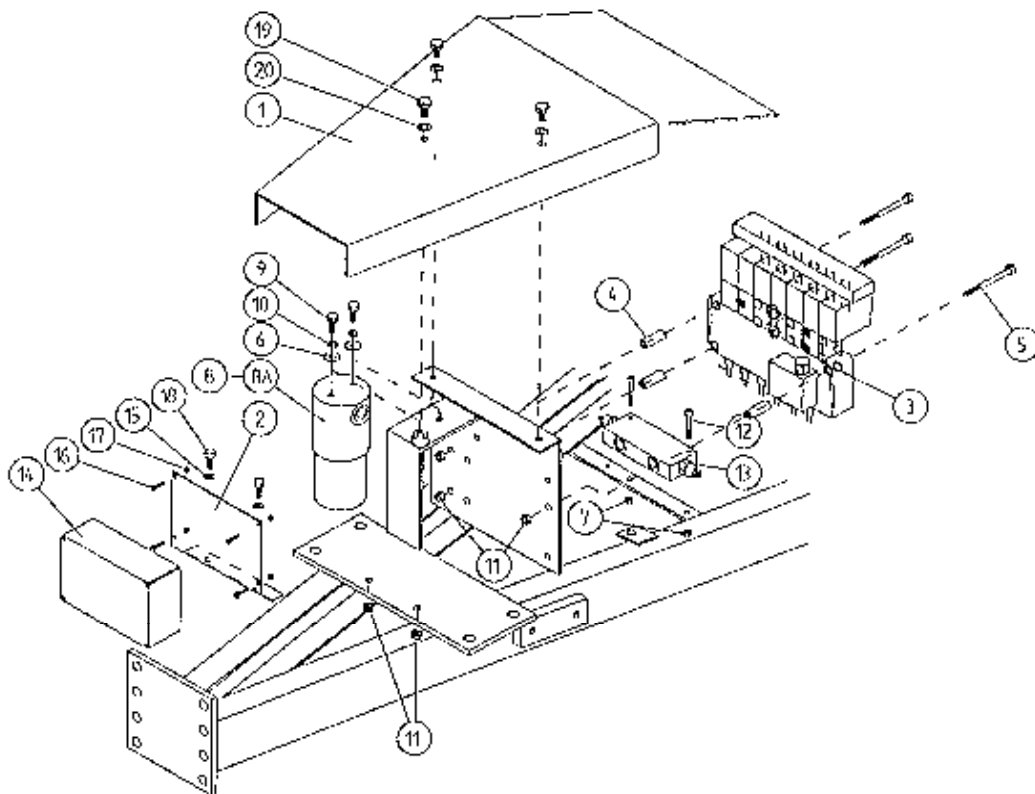
ITEM NO.	DESCRIPTION	QTY	PART-NO.
1	TURNTABLE ASSY.	1	WD90-TA
2	ROLLER MOUNTING BRACKET (SWIVEL)	1	WD610-RMS1
3	M20 THREADED BAR x 105mm LONG	1	WD610-113
4	40mm DIA PILLOW BLOCK BEARING	2	Z06-48EC-40
5	M12 x 45mm SETS	6	Z26-085S
6	M12 LOCKNUTS	8	Z23-12
7	BIG ROLLER ASSY (DRIVE)	1	WD810-BRD1
8	BIG ROLLER ASSY (IDLER)	1	WD610-BRI
9	ROLLER ASSY (IDLER)	2	WD65-BRI
10	TPACKING ROLLER ASSY (LONG)	2	WD610-TPL
11	1 1/4" PILLOW BLOCK BEARING	2	Z06-48S
12	M14 HEX HD SET x 45mm LONG	8	Z26-103S
13	14mm DIA FLAT WASHER	16	Z11-02-14
14	14mm DIA SPRING WASHER	16	Z12-02-14
15	SLIDING BEARING-STI	4	Z06-47ST
16	M20 THREADED BAR x 135mm LONG	3	WD610-77
17	M20 HEX NUTS	16	Z18-20
18	12mm DIA. SPRING WASHER	12	Z12-02-12
19	12mm DIA. FLAT WASHER	8	Z11-02-10
21	SWIVEL BRACKET PIVOT PIN J-50	1	Z03-03-50
22	211 x 1/411 SPLIT PIN	1	Z03-21-29
23	RETAINING PLATE	2	WD610-30
24	M12 HEX HD SETS x 40mm	4	Z26-084S
25	M12 HEX NUTS	6	Z18-12
26	BUFFER SOMM DIA x 42mm LONG	4	Z40-235
27	BALE BELT 1130mm WIDE x 4470mm LONG	1	Z05-02AWV1-93
28	1 1/4" FLANGE BEARING 2 HOLE	4	WD610-CSM
29	M14 HEX NUTS	8	Z18-14

**TANCO AUTOWRAP 1080A/1080ATP MODELS
FILM DISPENSING SYSTEM
PARTS LIST**

ITEM NO	DESCRIPTION	QTY	PART NO
1	FILM DISPENSER UNIT MK9 (70% STRETCH)	1	D616
2	SLEEVE	1	D52012-95
3	M12 x 80 HEX BOLT	1	Z26-090113
4	SLAVE ROLLER LONG	1	Z06-SR95-L
5	SLAVE ROLLER PIVOT	2	WD64-SRP
6	DISPENSER MAST	1	WD90-DM
7	M16 HEX NUT	8	Z18-16
8	16mm DIA SPRING WASHER	8	Z12-02-16
9	80mm x M16 'U' BOLTS	4	Z35-52
10	DISPENSER MAST MOUNTING BRACKET	1	WD67-DMM
11	M12 x 30 HEX SET	2	Z26-084S
12	M12 HEX NUT	4	Z18-12
13	5mm DIA x 45 ROLL PIN	2	Z03-21-15
14	FILM SPOOL UPPER	1	WD90-11
15	TOP CONE	1	WD90-012
16	CIRCLIP	2	Z28-525
17	FILM SPOOL LOWER	1	WD67-FSU
18	BOTTOM CONE	1	WD90-013
19	SPRING	1	Z07-07
20	PLASTIC CAP 1 1/4" DIA	1	Z39-60
21	BEARING	1	Z06-AWRB
22	M16 LOCKNUT	2	Z23-16
23	1/4" x 2" SPLIT PIN	2	Z01-23-29
24	16mm DIA FLAT WASHER	2	Z10-02-16
25	HYDRAULIC RAM (PULL DOWN)	1	Z01-01-AW25
26	1" G.B. PLASTIC CAP	2	Z32-14
27	M12 X 50 HEX SET	1	Z26-086S
28	M12 LOCKNUT	1	Z23-12
29	12mm DIA SPRING WASHER	1	Z12-02-12
30	FILM PULL DOWN ARM ASSEMBLY	1	WD90-FPDA
31	RETAINING WASHER	1	WD60-859
32	ROLLER	1	WD60-866
33	1" DIA FLAT WASHER	1	Z10-02-30
34	6mm "R" CLIP	1	Z36-03

WD80-PL21

TANCO AUTOWRAP 1080 ATP MODEL VALVE JUNCTION BOX FILTER & DIVERTER VALVE MOUNTING BRACKET ASSEMBLY



ITEM NO:	DESCRIPTION:	QTY:	PART NO:
1	VALVE COVER PLATE ASSY	1	WD75-VCP
2	JUNCTION BOX MOUNTING PLATE	1	WD66-041
3	6 BANK SOLENOID VALVE	1	Z01-03-A1080TP
4	SPACER FOR VALVE	3	WD67-100
5	M0 x 100 HEX SET	3	Z26-057S
6	8mm DIA MUD FLAP WASHER	2	Z11-02-081
7	M6 LOCKNUT (NYLOCK)	2	Z32-06
8	OIL FILTER	1	Z01-24-08
8A	OIL FILTER ELEMENT	1	Z01-24-08E
9	M8 HEX HD SET x 25MM	2	Z26-040S
10	8mm DIA SPRING WASHER	8	Z12-02-08
11	M8 LOCKNUTS	5	Z23-08
12	M8 ALLEN HD SOCKET SCREW x 45mm	2	Z13-020-50
13	OVER-CENTRE VALVE	1	Z01-03-10-A0
14	JUNCTION BOX	1	ZDG-0550A
15	8mm DIA FLAT WASHER	4	Z10-02-08
16	M4 ALLEN HD SOCKET SCREW x 16mm	4	Z26-006
17	M4 LOCKNUT	4	Z23-04
18	M8 x 20 HEX SET	2	Z26-039S
19	M10 x 20 HEX SET	5	Z26-060S
20	10mm DIA FLAT WASHER	3	Z12-02-10

**TANCO AUTOWRAP 1080 ATP MODEL
"TWIN-PAC" LIFT ARM ASSY**

PARTS LIST

ITEM NO.	DESCRIPTION	QTY	PART-NO
1	CHASSIS ASSY	1	WD67-CHA
2	MAIN ARM ASSY	1	WD610-TMA
3	INNER FRAME ASSY	1	WD610-TIA
4	OUTER FRAME ASSY	1	WD610-TOA
5	BALE STOP ASSY	1	WD610-LAS1
6	HYDRAULIC RAM (MAIN ARM)	1	Z01-01-AW
7	RAM BOTTOM PIVOT PIN	1	Z03-02-330
8	RAM TOP PIVOT PIN	1	Z03-01-797
9	M10 HEX HD SET x 20mm LONG	7	Z26-060ST
10	10mm DIA SPRING WASHER	9	Z12-02-10
11	10mm DIA FLAT WASHER	7	Z11-02-10
12	BUFFER 50mm DIA x 40mm LONG	2	Z40-20
13	M10 HEX NUT	2	Z18-10
14	1/4" DIA SPLIT PIN x 2" LONG	5	Z03-21-29
15	INNER FRAME PIVOT PIN	2	Z03-02-192
16	HYDRAULIC RAM (INNER FRAME)	1	Z01-01-DA980
17	RAM TOP/BOTTOM PIVOT PIN	2	Z03-01-796
18	MAIN PIVOT PIN C/W GREASE NIPPLE	2	Z03-01-906
19	HYDRAULIC RAM (OUTER FRAME)	1	Z01-01-140S
20	RAM TOP/BOTTOM PIVOT PIN	2	Z03-02-54
21	BALE STOP RETAINING PIN	1	Z03-04-73
22	7/16" DIA LINCH PIN	1	Z03-22-06
23	TENSION BUSH 1 1/4" x 1" x 30mm LONG	6	Z03-20-014

TANCO AUTOWRAP 1998 MODEL

HYDRAULIC BALE RAMP

ITEM	DESCRIPTION:	QTY:	PART NO:
1	HYDRAULIC BALE RAMP ASSY	1	WD65-HBRF
2	RAMP MAIN PIVOT PIN C/W GREASE NIPPLE	2	Z03-01-905
3	M10 HEX HD SET X 20mm LONG TUFLOCK	2	Z26-060ST
4	10MM DIA MACHINED FLAT WASHER	2	Z11-02-10
5	10MM DIA SPRING WASHER	12	Z12-02-10
6	BALE MAT	1	Z05-02-BRH
7	M10 X 30MM LONG CUP HD. SQ BOLTS	5	Z13-112
8	M10 HEX NUTS	5	Z18-10
9	HYDRAULIC RAM C/W ACCUMULATOR	1	Z01-01-AWD
10	SPAREX PIN	1	Z03-04-74
11	SPAREX PIN	1	Z03-04-73
12	7/16 DIA LINC PIN	2	Z03-22-06
13	ACCUMULATOR MOUNTING PLATE	1	WD65-AMP
14	CLAMPING PLATE	1	WD65-231
15	M8 HEX HD BOLT X 80MM LONG	4	Z26-050E
16	M8 LOCKNUT	4	Z23-08
17	M28 X 1.5 PITCH HEX NUT	1	Z18-28

FAULT FINDING

PROBLEMS.	REMEDY.
1. Drive Roller and Bale belt not driving	Check and replace shear Pins in sprocket on drive roller.
2. Film Breaking	Wash off dispenser and slave rollers. Change roll of film. Use recommended films only.
3. Film not wrapping evenly on bale.	Adjust film mast so centre of film roll is aligned with centre of bale.
4. Film Tearing on Ramp.	Check for sharp edges and remove.
5. Bale Skidding on Ramp.	Fit Hessian Bag or piece of carpet to Ramp.
6. Film Dispenser not Pre-Stretching Film.	Check that both Rollers turn when one is turned by hand. If not, fit new gears or replace unit.
7. Tyres coming off 4" platform Support Wheels.	Replace Wheels - Reduce speed below 30 r.p.m. - Do not grease path of wheels on platform. Check that bale does not get trapped between arms and turntable when being loaded. If this happens lower arm and start again.
8. Hydraulic Bale Ramp not returning to raised position after tipping off bale.	See instructions for recharging hydraulic cylinder.
9. Bale Belt Tracking Adjustment	
(i) Ensure vertical rollers (plastic) are in tight on the bale. Remember that the bale will reduce in size during wrapping and, on the round bales in particular, the corners will become rounded so that the bale will tend to move sideways due to centrifugal forces. Now, if the plastic rollers are too far apart, the bale will move against one of the plastic rollers causing the belt to move in the opposite direction. Always adjust the vertical plastic rollers so that they keep the bale central on the belt.	
(ii) Adjust bale stop on lift arm so that bale is loaded centrally onto platform.	
(iii) Check that bale belt is fitted so arrow points in direction of travel.	
(iv) Check that both 8" rollers underneath the bale belt are parallel to each other. Remember the golden rule - a belt will always move up a slope: So, if the belt continually moves to our side, adjust idler roller to a narrower setting on the opposite side to which the belt travels.	
(v) Check that gripface strips are securely fixed to the roller and have not moved out of alignment.	
(vi) Check that is the same measurement each side by running a string around the belt and measuring it. If one side is longer than the other replace the belt.	

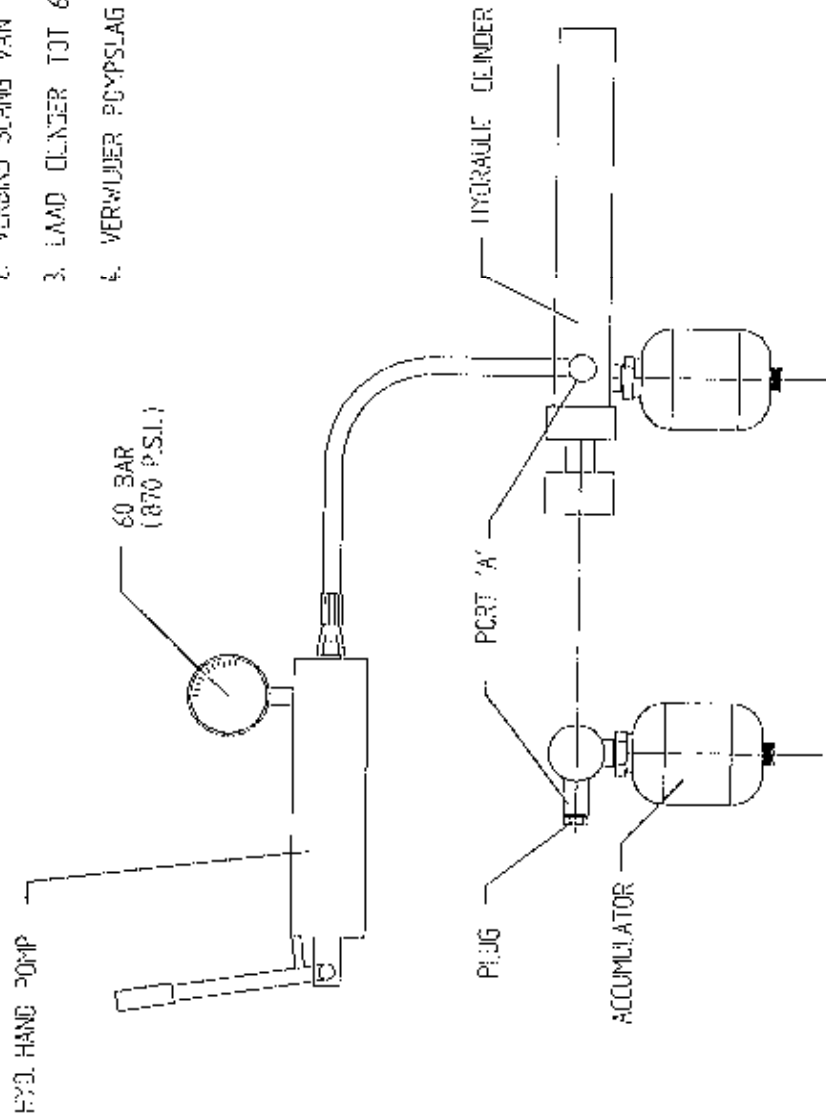
**TANCO AUTOWRAP
HYDRAULIC CUT AND START UNIT
PARTS LIST**

ITEM NO.	DESCRIPTION	QTY	PART NO.
1	HYDRAULIC CUT AND START MAIN FRAME	1	WD605H-MF
2	M10 X 25 HEX SET	1	Z26-061S
3	LOCKING COLLAR	1	Wi60-090
4	GRIPPER ROD	1	WD605H-13
5	H6 X 25 HEX SET	1	Z26-0405
6	BLADE	1	605-104
7	SPRING	1	Z07-49
8	GRIPPER PAD (RUBBER)	1	Z40-28
9	GRIPPLER PAD	1	WD605H-15
10	M8 X 10 GRUB SCREW	1	Z28-008
11	M 14 HEX NUT	3	Z18-14
12	14MM SPRING WASHER	2	Z12-02-14
13	CUT & START HYDRAULIC RAM ACCUMULATOR	1	Z01-01-AWH
14	8MM FLAT WASHER	2	Z11-02-08
15	M8 LOCK NUT	2	Z23-08
16	M10 LOCK NUT	4	Z23-010
17	M10 X 75 HEX BOLT	4	Z26-069B
18	10mm DIA SPRING WASHER	1	Z12-02-10

TANCO AUTOWRAP - HYDRAULIC CUT AND START

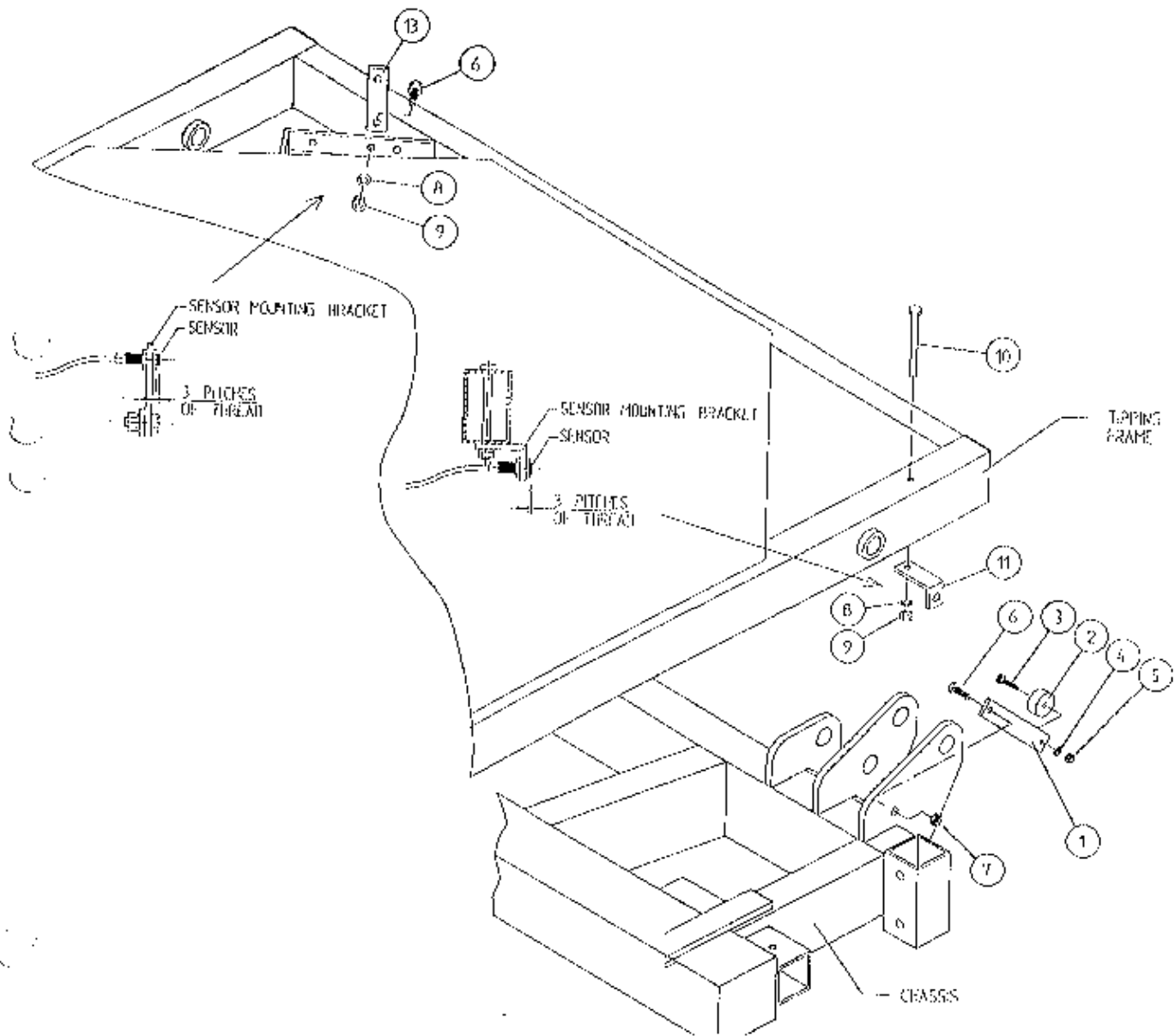
INSTRUCTIE VOOR HET OPLADEN HYDRAULISCHE CILINDER

1. VERWIJDER PLUG UITM PORT "A".
2. VERBIND SLANG VAN HYD. HAND POMP MET PORT "A".
3. LAAD CILINDER TOT 60 BAR (870 P.S.I.)
4. VERWIJDER POMPSLAG EN STOP DE PLUS WEER IN "A".



TANCO AUTOWRAP CUT AND START SENSOR AND MAGNET MOUNTING BRACKETS

WD80-PL29



PARTS LIST

ITEM NO	DESCRIPTION	QTY	PART NO.
1	MAGNET MOUNTING BRACKET	1	WD805-165
2	MAGNET	1	D6034
3	M6 HEX HD. SET x 30mm LONG	1	Z26-022S
4	6mm DIA FLAT WASHER	1	Z12-02-06
5	M6 LOCKNUT	1	Z23-06
6	M8 HEX HD. SET x 25mm LONG	2	Z28-040S
7	M8 LOCKNUT (NYLOCK)	1	Z23-08
8	8mm DIA SPRING WASHER	2	Z12-02-08
9	M8 HEX NUT	2	Z18-08
10	M8 HEX HD. SET x 100mm LONG	1	Z26-057S
11	SENSOR MOUNTING BRACKET	1	WD605-58
12	SENSOR MOUNTING FLAT	1	WD805-164