



A200 EH QUICK REFERENCE GUIDE

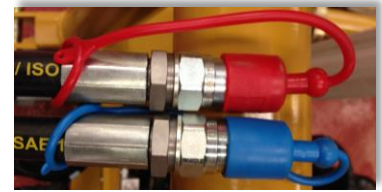
The quick reference guide is not a substitute for the Operators Manual!
Please refer to Operators Manual for more detailed information

TRACTOR CONNECTION

1. Hydraulics

Red pipe > Supply (25-35lpm)

Blue pipe > Return (**Free flow return!!**)



2. Electrics

A. Connect 12V supply to 3pin plug

B. Connect wrapper harness to controller

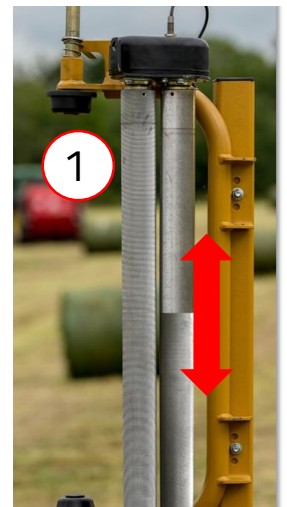
C. Connect receiver to controller

D. The controller can then be mounted in the tractor cab.

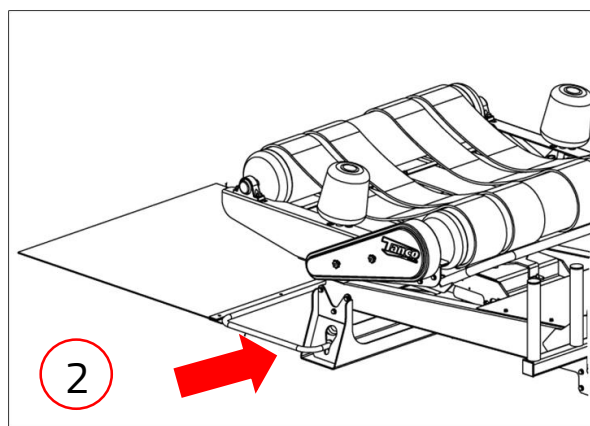


ENTERING THE WORKING MODE

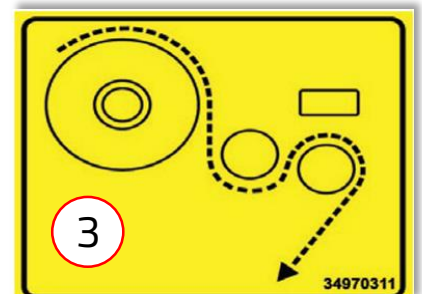
1. Adjust the position of the dispenser to ensure that the film will be applied to the centre of the bale.



2. Install the bale matt.



3. Add the film roll into the dispenser, ensuring that the film is threaded correctly, and attach the film to the Cut & Start.





EXPERT CONTROLLER OPERATION

4-way Menu switch:

- Set No. of wraps
- Change/reset bale sub-total
- Access Operator Setup Menu
- Access Technician Setup Menu

Display in normal working mode:

- Current No. of Wraps
- Target No. of Wraps
- Wrapping speed
- Bale Total (10 separate stores)
- Mode: M (Manual) / A (Auto)

L1 – Table - tip down (in Manual mode)

L2 – Cut and Grip Film

L3 – Slow Wrap

L4 – Reverse Table

L5 – Not used

Power On/Off /
Emergency Stop

R1 – Table - tip up in Manual mode
Autotip in Automatic mode

R2 – Release Film Grip

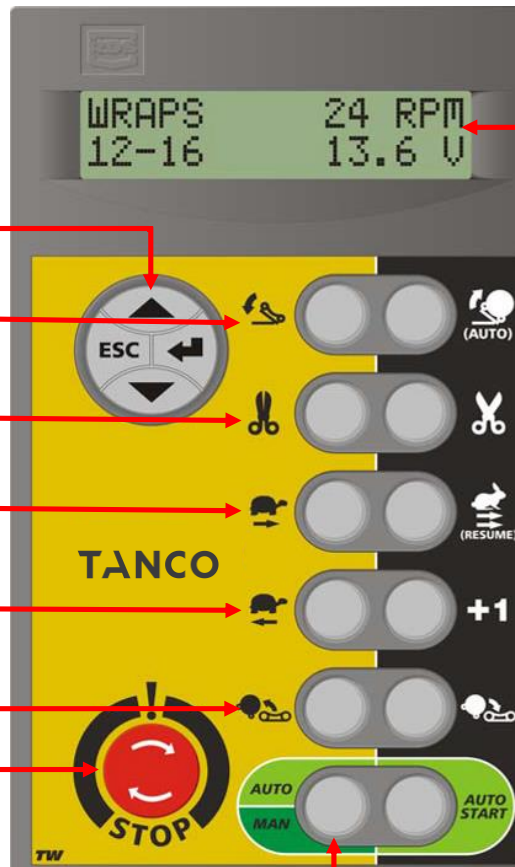
R3 – Fast Wrap / Resume Wrap
(after stopping mid-cycle using the
STOP-switch)

R4 – Add 1 wrap to current (or next)
bale (only in automatic mode)

R5 – Not used

R6 – Start Automatic cycle

L6 – Select Operating Mode: „M“ or „A“



RF REMOTE OPERATION

The RF (Radio Frequency) remote is required to operate the A200 EH wrapper remotely from the loader tractor.

RF Receiver



Add extra wrap

Rotate table
forward

Open Cut & Start



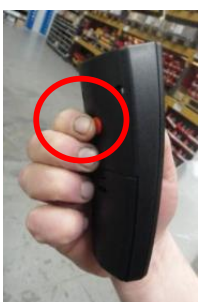
Auto Start wrap

Offload the bale

Emergency Stop

Rotate table in
reverse

Close Cut & Start



The red button on the rear of the remote must be pressed while pressing any other button (except "STOP").

RF REMOTE OPERATION

Syncing RF Remote with controller receiver

If a new remote-control kit is being fitted, or if the battery has been replaced in the remote, the controller must be set to receive the unique frequency of the sender unit:

- Ensure 'RF' (Radio Frequency) is selected when using the Remote control.
- Navigate to 'Operator Setup' in the RDS controller, and then select RF learn.
- Press the STOP button on the remote sender. A number will flash on the screen to indicate the controller has received and registered the frequency.
- If there is an issue with some functions not working correctly on the Remote, by carrying out a sync can sometimes resolve the issue.

OPERATION

Auto mode (A) + Auto offload

1. Place the bale on the wrapper table.
2. Using the RF remote, press "**Auto Start**".

Wrapping will then begin. Once complete, the bale will be offloaded automatically.

